



CARLISLE[®]

BRAKE & FRICTION

OE GRADE BRAKE & FRICTION SOLUTIONS



AFTERMARKET CATALOG

At **Carlisle**, we are proud to maintain our position as a top-tier supplier for providing highly engineered motion control solutions for severe duty and high energy applications. OE-grade product development processes and global capabilities ensure Carlisle has the capacity to provide high-quality, cost-competitive solutions.

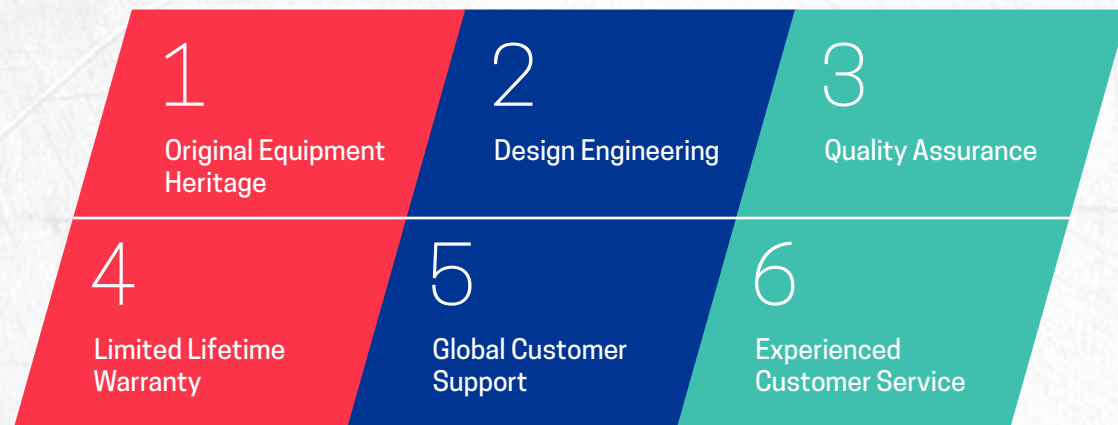
When choosing a Carlisle product, our customers expect a quality solution that will keep their application operating at an OE level of performance under the toughest environmental conditions. Carlisle remains determined to produce the highest quality

brake system products available for today's on- and off-highway fleet owners and equipment operators.

Carlisle product and design engineering teams are available to work with your technical support teams to optimize an appropriate solution in order to meet the specifications of your application.

From an aftermarket service kit to a complete brake system solution, Carlisle's engineering support and aftermarket sales representatives are prepared to help customers obtain industry-proven solutions the first time, every time.

6 REASONS TO CHOOSE CARLISLE AFTERMARKET PRODUCTS



CARLISLE OFFERS OE GRADE BRAKE AND FRICTION SOLUTIONS

- OE and Aftermarket products are manufactured in the same ISO-certified facilities
- OE and Aftermarket products are manufactured on the same production lines
- Production of OE and Aftermarket products are managed by the same quality control/SPC system
- Carlisle Aftermarket products offer specific features not available from most aftermarket suppliers

2 | The Carlisle Aftermarket Advantage

3 | Table of Contents

4 | About Carlisle Brake & Friction

CARLISLE BRAKE & FRICTION AFTERMARKET ADVANTAGE (OE GRADE PRODUCTS)

5 | Aftermarket Capabilities

6-7 | Markets Served

8 | Brake Assemblies

9 | Wet Friction Discs & Components

10 | On-Highway Friction

11 | Hydraulic Actuation

12-13 | Aftermarket Kits

14 | Advanced Technology

15 | Customer Solutions Expertise

CARLISLE FRICTION MATERIALS

16-29 | Wet Friction Discs & Components

30-81 | On-Highway Disc Brake Pads

82-86 | On-Highway Buttons & Rivets

CARLISLE BRAKE ASSEMBLIES

87-92 | Park and Emergency Brakes + Kits

93-105 | Service Brakes + Kits

106-107 | Combination Brakes + Kits

CARLISLE HYDRAULIC CONTROL PRODUCTS

108-119 | Standard & Boosted Master Cylinders

120-125 | Hydraulic Valves and Adjusters



Carlisle Brake & Friction is a global leader in the development and supply of severe-duty and high performance brake, friction and hydraulic actuation product technologies, servicing both the Original Equipment and Aftermarket customer base in a variety of end markets.

Carlisle is committed to providing customers with premium quality brake system product solutions for both on- and off-highway applications. At Carlisle, the rigid quality, application testing and validation standards of our products result in motion control system components that demonstrate infallible field performance and provide superior customer value. Carlisle products are performance proven, offering the best possible value for aftermarket distributors, fleet owners and off-highway operations. For decades, Carlisle products remain a preferred brake system solution by professional repair shops and fleets striving to maintain the superior OE quality of their on-highway vehicles and off-highway mobile equipment.

Carlisle's long-standing history of design successes and demonstrated performance can be attributed to years of experience in research and development, testing proficiency and manufacturing excellence on a global scale.

More than 1,700 employees worldwide support our diverse motion control market segments with innovative solutions as well as a commitment and expertise that only a company with decades of industrial braking experience can provide.

Every day we are building stronger, closer relationships with customers, using our insight and experience in order to specifically tailor solutions to meet their individual needs. From identifying the appropriate brake, friction, hydraulic or aftermarket kit solution for your application to troubleshooting maintenance inquiries, Carlisle provides the customer service and support necessary to keep your equipment up and running smoothly.

BRAKE ASSEMBLIES

CALIPER BRAKE DEVELOPMENT - DESIGN AND TESTING:

- Extensive lab and field testing ensure performance characteristics meet all theoretical models
- Custom designed testing equipment simulates real world conditions and confirms engineering premises
- Structural endurance testing machines and inertia dynamometers test overall strength and performance



CALIPER BRAKE VALIDATION AND PERFORMANCE TESTING:

- Dynamic friction (torque) tests are designed to simulate performance conditions under various application loading
- Chemical and thermal analysis equipment measures temperature saturation versus duty cycle
- Heat fade tests evaluate performance characteristics following an extreme heat episode
- Torque fatigue procedures test performance and durability under the most severe conditions

GAS NITRIDING:

- Process designed to increase strength and hardness without affecting the rest of the part
- Provides part durability, reducing downtime due to fatigue, distortion or breakage
- Performed on all Carlisle friction discs and opposing plates



HYDRAULIC ACTUATION

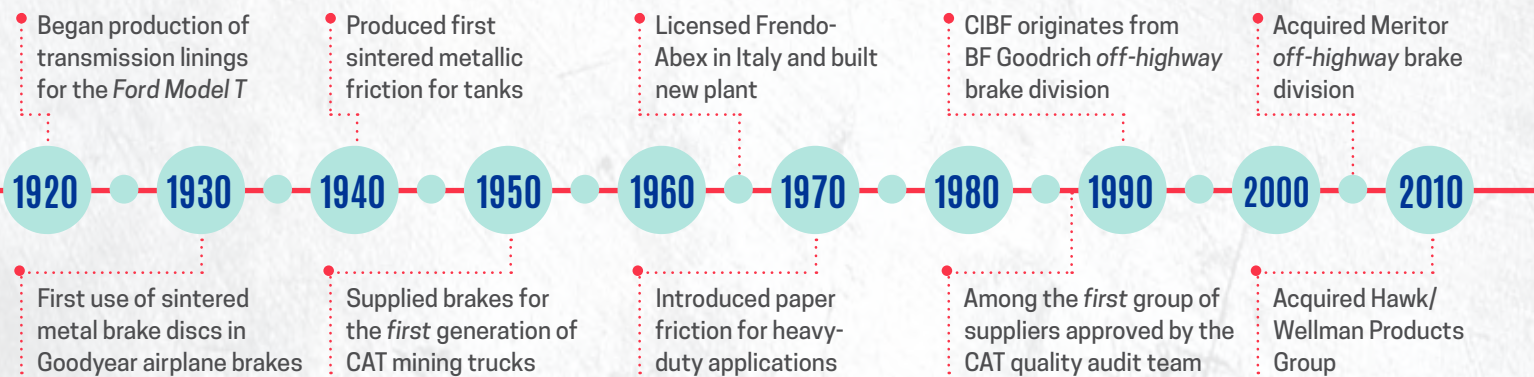
BOOSTER AND MASTER CYLINDER TESTING PROCEDURES:

- Environmental chambers test performance under various possible conditions of a given application
- Hydraulic testing capabilities measure durability and validate lasting performance
- Failure analysis assessments ensure quality



HYDRAULIC VALVE TESTING AND DESIGN:

- Each and every Carlisle valve is both performance and leak tested to ensure the highest level of quality
- Tested and proven capable of up to 3500 PSI input pressures
- Flow rate measures and pressure tolerance testing demonstrate superior flow capacity



FRICTION PRODUCTS

FURNACE FLATTENING:

- Provides stress relief for additional hardness control following heat treat and grinding
- Ensures part flatness, parallelism and hardness for proper fitment and performance
- Performed on all Carlisle friction discs and opposing plates

MINING

MINING PRODUCT SOLUTIONS: Wet Brake Friction Discs, Disc Brake Pads, Dry Caliper Service Brakes, Park and Emergency Brakes, Hydraulic Actuation, Manifolds, Charge Valves, Clutch Discs, Transmission Discs

CARLISLE SERVED MINING APPLICATIONS: Front-end Loaders, Backhoe Loaders, Wheel Loaders, Haulage Trucks, Tractors, ADT's, Rough Terrain Cranes, Underground Mining, Winches and Tow Behind Scrapers



AGRICULTURE

AGRICULTURAL PRODUCT SOLUTIONS: Wet Brake Friction Discs, Hydraulic Actuation, Disc Brake Pads, Service Brakes, Park Brakes, Ball on Ramp Brakes, Drum Brakes, Clutch Discs, Transmission Discs

CARLISLE SERVED AGRICULTURAL APPLICATIONS: Tractors, Combine Harvesters, Roller Mills, Scrapers, Utility Vehicles, Material Handling



CONSTRUCTION

CONSTRUCTION PRODUCT SOLUTIONS: Clutch Friction, Wet Friction, Hydraulic Actuation, Service Brakes, Park and Emergency Brakes, Disc Brake Pads

CARLISLE SERVED CONSTRUCTION APPLICATIONS: Backhoe Loaders, Front-end Loaders, Wheel Loaders, Pavers, Graders, Excavators, Rollers, Scrapers, Bulldozers, Mobile Cranes, Haulage Trucks, Telehandlers, ADT's, Lift Trucks



AEROSPACE

AEROSPACE PRODUCT SOLUTIONS: Steel Brake Rings, Steel Brake Cups, Steel Brake Insulators

CARLISLE SERVED AEROSPACE APPLICATIONS: Commercial and Military jets, Small Multipurpose Airliners and Helicopters.



INDUSTRIAL

INDUSTRIAL PRODUCT SOLUTIONS: Wet Brake Friction, Drum Brakes, Dry Caliper Service Brakes, Disc Brake Pads, Hydraulic Actuation, Clutch Friction

CARLISLE SERVED INDUSTRIAL APPLICATIONS: Cranes, Material Handling Vehicles, Oil Rigs, Airport Tugs, Telehandlers, Logging and Forestry Equipment



ON-HIGHWAY

ON-HIGHWAY PRODUCT SOLUTIONS: Disc Brake Pads, Clutch Buttons, Brake Blocks, Brake Shoes and Lined Shoe Assemblies

CARLISLE SERVED ON-HIGHWAY APPLICATIONS: Class 3 – 8 Commercial Trucks



MILITARY

MILITARY PRODUCT SOLUTIONS: Park Brakes, Service Brakes, Combination Brakes, Hydraulic Actuation, Clutch Discs, Transmission Discs, Wet and Dry Friction

CARLISLE SERVED MILITARY APPLICATIONS: Light to Heavy-duty Armored Vehicles, Tanks, Military Transports, and Aircraft Barriers (cable brake), Land Attack and Assault Vehicles



MOTORSPORTS

MOTORSPORTS PRODUCT SOLUTIONS: Disc Brake Pads, Clutch Transmission Friction, Disc Brake Rotors

CARLISLE SERVED MOTORSPORT APPLICATIONS: Circle Track, Dirt Track, Road Course, Drag Racing, Endurance, Rally and Stock Car Racing



BRAKE ASSEMBLIES

WET FRICTION

Originating from the acquisitions of such OEM off-highway brake assembly pioneers as B.F. Goodrich, Meritor and Rockwell Automation, today Carlisle has evolved to become the industry authority in brake system innovation. Adhering to tradition, Carlisle continues to invest in the design, testing and improvement efforts of both new as well as industry prominent Carlisle legacy brake assembly models. Designed to endure some of the world's harshest demands including off-highway earthmoving equipment, Carlisle brake assemblies are built to keep equipment in service under even the most extreme conditions.



In conditions of varying load, Carlisle **Park and Emergency Brake** assemblies are designed to retain predictable and repeatable performance characteristics.

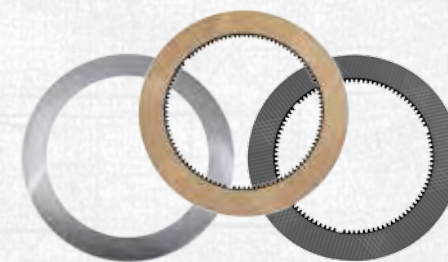
Carlisle park brakes are world-renowned for delivering the ultimate heavy-duty solution for safety, reliability, durability and lasting performance. Our spring apply, hydraulic release caliper park brakes are specifically designed for high torque static applications with a wide range of dynamic capabilities.

Carlisle's **Combination Brake** assemblies offer an integrated park and service braking solution. One set of opposed pistons are the SAHR park brake while the other two sets of opposed pistons are the hydraulically actuated service brake. Combination brake assemblies reduce the overall weight and space limitations necessary in maintaining two separate braking systems.

Large vehicles require increased braking capacity. Many of the world's largest off-highway vehicle and equipment applications depend on the trusted precision of Carlisle brake assembly performance. Decades of experience prove that Carlisle **Service Brakes** continuously meet the demands of a wide range of high energy, high torque severe-duty applications. Choose from any one of our hydraulically actuated, four to six piston caliper service brake assemblies, each built to withstand and perform under any of today's high energy, high torque dynamic braking conditions.

Carlisle wet friction product technologies set the industry standard for durability, fitment, safety and quality. Each Carlisle friction material available to the industrial aftermarket is specifically designed to maximize equipment uptime, reduce annual maintenance costs and meet the harsh demands of today's off-highway vehicles.

MATERIAL TECHNOLOGY



Carlisle Paper friction discs demonstrate considerable performance advantages over the competition. With a proven tolerance to high heat and pressure loading conditions, our paper materials resist wear in order to deliver long-lasting, consistent performance.

HDT Graphitic discs are a unique and proprietary friction technology available exclusively through Carlisle's aftermarket distribution and custom rebuild channel partners.

The HDT graphitic disc is specifically designed for power shift transmission, forward and reverse clutch and wet brake applications.

The quality of **Steel** disc opposing plates is critical to the durability and performance of friction discs and motion control systems. Surface finish, geometry and fitment are all critical to achieving expected performance from mating friction discs.

All Carlisle steel opposing plates endure additional secondary operations and quality inspections to ensure proper flatness, parallelism and surface conditioning for structural strength and fitment.

Carlisle offers **Sinter Metallic** discs in a variety of formulations. Our Iron (Feramic), Bronze, Copper and Ceramic products provide exceptional performance and durability for power shift transmission, power take-off, steering clutch, wet brake and other motion control applications.

Semi-Ceramic Premium disc brake friction material offering OE level performance, superior durability, friction coefficient, fade resistance and overall friction life.

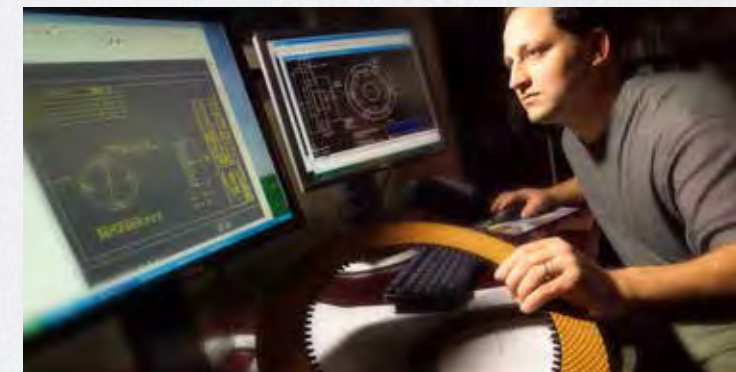
Carlisle's **Semi-Metallic**, economy grade friction material demonstrates increased performance and wear characteristics compared to competitive aftermarket offerings on the market today.

OE GRADE FEATURES

- CNC machining capabilities ensure proper casting
- Rigid design and quality tolerances validate performance characteristics
- Cleanliness is made possible through enforcement of the Carlisle Operating System (COS), a continuous improvement process
- Engineered with high strength ductile iron or high grade aluminum to ensure lasting durability
- Torque spec procedure for hardware installation validates the performance of all assembly parts
- All Carlisle brake assemblies are tested to the same OE specifications

OE GRADE FEATURES

- Choose between OE level or higher friction profiles
- Best in class fade resistance
- Superior wear rates minimize downtime and cost
- Superior resistance to glazing



ON-HIGHWAY FRICTION HYDRAULIC ACTUATION

Under the VelveTouch® by Carlisle Brake and Friction aftermarket brand name, Carlisle develops friction technologies including disc brake pads and clutch friction materials for light- to heavy-duty, on-highway vehicle applications. As a world renowned OE brake block, clutch and transmission friction manufacturer, Carlisle is proud to maintain a proven track record in developing friction materials that consistently achieve flawless performance characteristics under even the most complex, severe-duty applications.



VelveTouch **Clutch Buttons** provide rebuilders and clutch manufacturers with a substantial performance advantage to ensure repeat business through exceptional performance advantages in terms of friction coefficient, durability, design and quality.

VelveTouch Carbon **Semi-Metallic Disc Brake Pads** were designed for severe duty on-highway applications ranging from class one through class six automotive and commercial truck fleets. Our unique F1 and F3 friction formulations combine the performance and heat resistance of carbon fiber composites with the durability of traditional semi-metallic brake pads. Carlisle's advanced friction technology capabilities partnered with the quality and safety of our aerospace design expertise is the foundation of Carbon Semi-Metallic brake pads. Whether its cost per mile reduction, improved drivability or safety, VelveTouch® Carbon Semi-Metallic brake pads will meet or exceed your expectations.



Carlisle remains dedicated to the testing and development efforts of new and existing hydraulic actuation products including boosters, master cylinders, slave cylinders, hydraulic valves and actuators.



Carlisle offers hydraulic control valves, specifically designed to provide the precise pressure modulation required in heavy-duty applications. For additional versatility, Carlisle offers hydraulic control valve options for use in open center, closed center and load sensing hydraulic systems. Carlisle valves also provide high flow capabilities, allowing the brakes to fully apply in less vehicle traveling distance, therefore eliminating the need for additional braking capability.

Carlisle manufactures hydraulic and mechanically actuated braking systems including Standard and Boosted Master Cylinders. Carlisle's standard actuation system offers a premium, fail-safe and cost effective solution for a variety of off-highway applications. For increased operator comfort and overall performance, Carlisle boosted master cylinder options deliver added vehicle control, stability and decreased stopping distance to stimulate balanced braking performance across axles.



OE GRADE FEATURES

CLUTCH BUTTONS:

- Designed for class 5 - 8 heavy-duty applications
- High friction materials
- Increased life and reduced annual maintenance costs
- Extended life of pressure plate and fly wheel with ultra-gentle friction formulations

DISC BRAKE PADS:

- Mechanical bond friction material retention system
- Lower cost per mile through lasting performance
- Extend vehicle up-time
- Noise minimize (NVH)

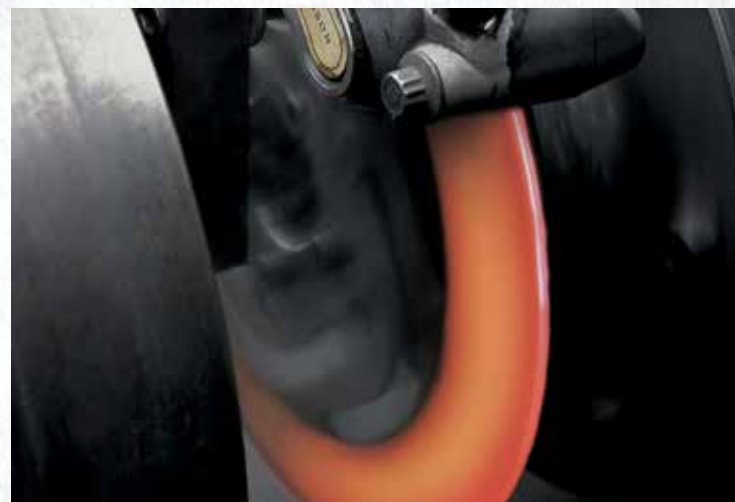
OE GRADE FEATURES

BOOSTED MASTER CYLINDERS:

- Designs offer reduced pedal effort and pedal travel to achieve operating pressure requirements
- Enhanced operator comfort due to progressive and controllable braking response characteristics
- Proven to be the off-highway industry's most efficient method of applying the brakes

VALVES:

- Quiet, consistent, controlled operation
- Heavy-duty construction and proven quality
- High flow capabilities for increased pressure
- Externally adjustable valve option with settings for precise pressure requirements



AFTERMARKET KITS

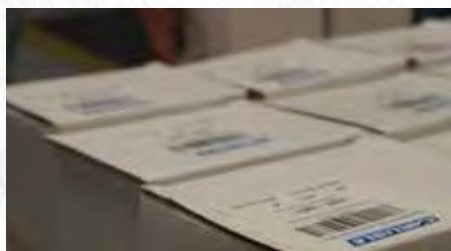
AFTERMARKET KITS

Maintain the original equipment performance characteristics of your Carlisle brake system by replacing all wear parts with top-quality, Carlisle original, aftermarket components to ensure the maximum mileage and dependable operation of your equipment. Servicing your brake system assembly with genuine spare parts is your best guarantee for maintaining the original performance.

Each and every spare part required to maintain your Carlisle assembly from the seals and O-rings to the pistons and the linings, are designed to work together in perfect harmony. Every part is factory-fitted, conforming to the Carlisle standard of quality.

At Carlisle, we subject every spare part to a rigorous process beginning with the concept design, and ending with an engineering release. All Carlisle aftermarket kit components were developed and tested specifically for your original Carlisle brake or hydraulic assembly.

To ensure that our customers experience the same level of quality in our spare parts as experienced in our brake and hydraulic assemblies, each Carlisle spare part must first undergo testing and validation. Only when our skilled team of engineers have approved a part for form, fit and function will that part be added to a Carlisle aftermarket kit. By establishing thorough testing and validation standards, we are able to assure customers that the same high quality performance characteristics experienced in the original equipment will continue.



SEAL KITS

Carlisle offers an extensive range of **Seal Kit** solutions for the aftermarket. Just as our brake and hydraulic assemblies are designed and manufactured, our industrial seal kits are developed using only the most advanced materials and technology to ensure the prolonged life and performance characteristics required in demanding off-highway applications.

CARLISLE SEAL KIT BENEFITS:

- Premium seals for protection against leaks
- Designed to protect assemblies from damaging environmental contamination
- Wide variety of seal materials allow Carlisle to maintain compatibility in all actuation fluids
- Specifically designed to meet the requirements of your application
- Carlisle original seal kit components meet our dimensional tolerances
- Meets the Carlisle standard for high heat temperature resistance



LINING KITS

Unlike the many aftermarket replacement parts suppliers that makeup today's deeply saturated market, Carlisle **Lining Kits** are manufactured to the standards of your original brake assembly.

CARLISLE LINING KIT BENEFITS:

- Thru molded to provide max shear strength
- Back plate surface hardness prevents piston embedding
- Soft carrier from non-original Carlisle linings can lead to damage in other brake components and to brake failure
- Non-genuine linings exhibit poor insulation characteristics allowing disc heat to dissipate into the caliper
- Self-proclaimed "long lasting" non-original Carlisle linings can lead to early disc wear

Carlisle aftermarket lining kits feature friction linings designed and built to the OE specifications, delivering optimal performance in your heavy-duty equipment. By choosing to service your equipment with only a genuine Carlisle lining kit, you are providing the best possible technological and economical solution based on your equipment's total operating costs.



OVERHAUL KITS

Extreme operating conditions, rough terrain and short stopping distances all impact the length of time necessary between scheduled maintenance.

Brake assemblies exposed to severe operating environments and recurring stops may require more frequent preventive maintenance including brake and hydraulic system overhaul to ensure lasting performance.

CARLISLE OVERHAUL KIT BENEFITS:

- Complete repair solution, including seals, O-rings and linings where applicable
- Premium oil seals for the best possible protection against pesky leaks and damaging contamination
- All Carlisle original assembly parts ensure you maintain the same performance characteristics of the OE parts they replace

When you choose a Carlisle original aftermarket **Overhaul Kit**, you are restoring your assembly to its primary level of performance.

Carlisle replacement parts are specifically developed to compliment the performance characteristics of your assembly. Each component included in our overhaul kits are designed and tested for compatibility and include all of the components you need for a thorough, lasting repair.





GLOBAL ENGINEERING AND APPLICATION SUPPORT:

- 5 engineering laboratories located worldwide: Solon (US), Bloomington (US), Pontypool (UK), Orzinuovi (IT), and Suzhou (PRC)
- 26 inertia dynamometers
- 80+ engineers
- 9 patents
- 22 Pro-E seats
- 4 seats mechanical FEA software

As a leading manufacturer of brake assembly, friction material, hydraulic actuation and related components, we never stop looking for better solutions. Carlisle is dedicated to continuously advancing our brake system product technologies in each of the markets we serve, all across the world.

Intensive research and development as well as close work with OEMs result in high levels of operational reliability for all Carlisle OE and aftermarket products. A combination of more than 80 years of experience in designing innovative brake and friction solutions and a strong customer focus make Carlisle an excellent partner that our distributors can depend on.

At Carlisle, we are thoroughly familiar with customer-specific requirements as a result of our close cooperation based on the individual customer need. Our state-of-the-art technology permits us to supply the appropriate brake, friction and hydraulic products as well as offer related product testing and data validation, focusing on high dependability in even the toughest environmental conditions.

At Carlisle, we regulate each aspect of the total braking system from the pedal to the brake gaining control over braking performance. Our assurance of a quality system is possible because we design, develop and manufacture our own friction materials, brake assemblies and hydraulic actuation products.

At Carlisle, we go the extra mile to deliver our customers unrivalled service and support. To ensure that our customers benefit from our dependable expertise and friendly service, we routinely refine the knowledge and proficiency of our customer support team through our internal product training programs. With Carlisle, you can expect world-class quality not only from our products, but also from our talented teams.

Like many of our customers, Carlisle operates globally. Our experienced staff of motion control experts are ready to assist you from any of our regional customer support locations across the world. We work diligently to provide the most efficient, high-quality product

solutions based on the unique requirements of the customer in order to improve the overall experience.

Carlisle is proud to maintain a veteran customer service and support team collectively representing over 100 years of comprehensive experience to accommodate and answer your questions.

The Carlisle Industrial Aftermarket team is in charge of replacement parts and service business with end-customers and distribution partners in all major industrial markets. Our top priority is to remain a reliable partner in supplying our customers with high-quality products and service.

CREATE A WINNING SPIRIT

Growth and continuous innovation do not only require investment into technology, but also into talent and people. At Carlisle, our people do what it takes to get the job done. Innovation is an everyday event on our factory floors.

Each factory's innovative ideas and processes are enthusiastically shared across continents. As a result, the manufacturing environment in each of our plants is charged with the positive energy of continuous improvement. Our people make it work.

CUSTOMER BENEFITS:

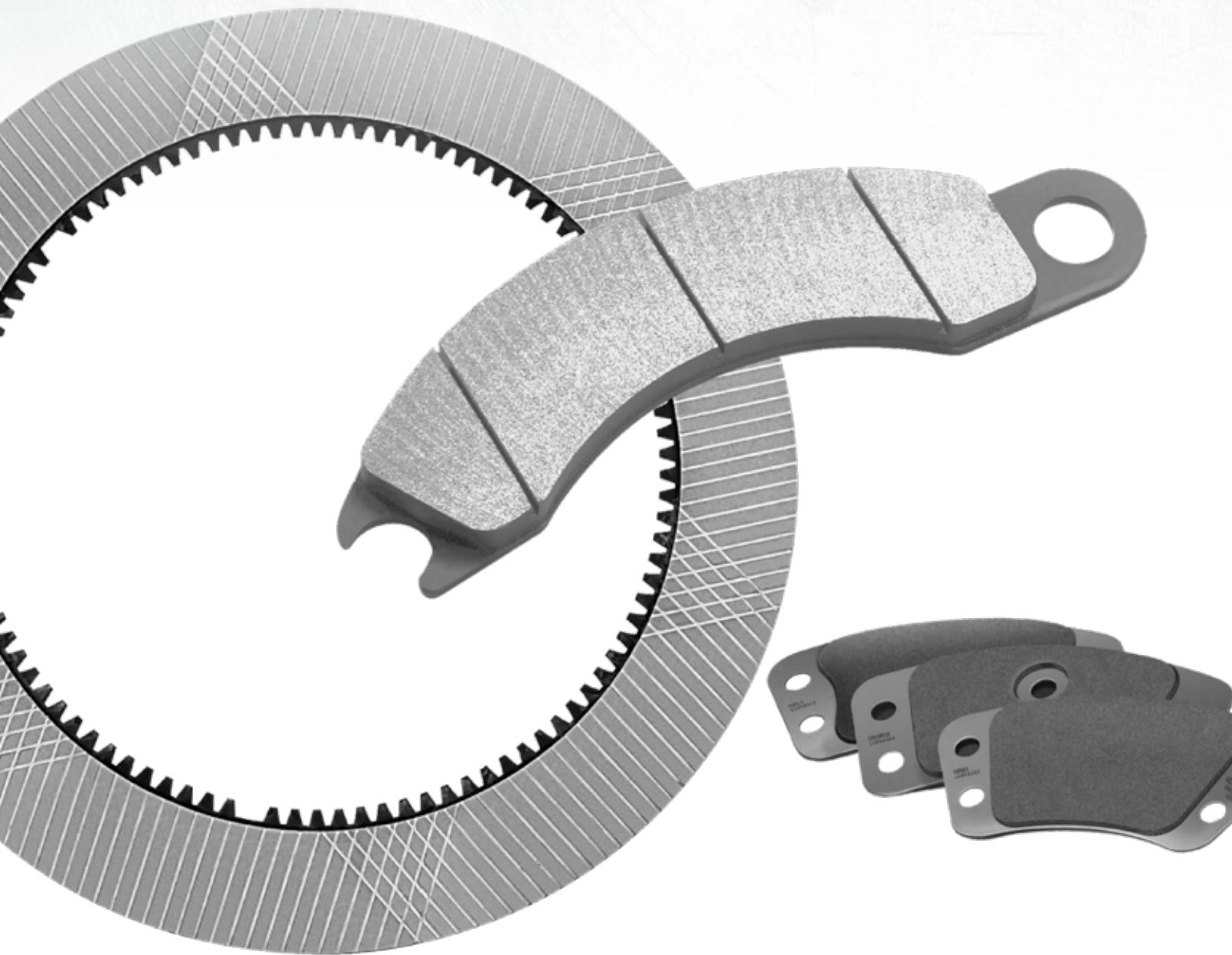
- Global reach
- Over 60 years of combined representative experience
- Specific support focused exclusively on aftermarket

SALES AND TECHNICAL SUPPORT:

- Aftermarket Program Marketing team oversees development and production efforts of specific customer requests
- Field support and product training services available upon request
- Technical and engineering support available upon request



FRICTION



APPLICATION GUIDE

18-19	ALLISON	24	LANCER BOSS	27	TROJAN
19	BELAZ	24	LANDINI	27	TWIN DISC
19	BENATI	24	LANSING	27	VALMET
19	CAPITAL MARINE GEAR	24	LEYLAND (WILSON)	27-28	VME - EUCLID
19	CARCO WINCHES	24	LINK BELT SPEEDER SHOVELS	28	VME - MICHIGAN
19	CARLO GRAZIANO	24	MACK TRUCK	28	VOLVO
19	CASE (DAVID BROWN)	24	MANITOU	28	WABCO
20	CHAMPION	24-25	MARATHON LE TOURNEAU	28-29	WAGNER
20	CLARK	25	MASSEY FERGUSON	29	WARNER GEAR
20-21	EUCLID	25	MERCEDES	29	WICHITA
21	FENWICK	25	MINNEAPOLIS MOLINE	29	YALE
21	FIAT ALLIS & HITACHI	25	MITSUBISHI	29	Z.F.
21	FORD	25	MITSUI TCM	29	ZETTLEMEYER
21-22	FRISCH-FAUN	25	MOXY	29	ZF MERITOR
22	FUNK	25	NEW HOLLAND		
22	FURUKAWA	26	NISSAN		
22	GALION	26	O & K		
22	GIRLING	26	PACCAR		
22	GM DIESEL MARINE	26	ROCKFORD		
22	HAMWORTHY	26	ROCKWELL		
22	HITACHI (ALSO SEE EUCLID)	26	SAME		
22	HYSTER	26	SHANTUI		
22-23	INTERNATIONAL (DRESSER)	26	SPICER (DANA)		
23	J C BAMFORD	26-27	TEREX		
23	JOHN DEERE	27	THWAITES		
23	KALMAR CLIMAX	27	TIMBERJACK		
23	KOBELCO	27	TORO		
23	KOEHRING	27	TOYOTA		
23-24	KOMATSU	27	TRITEC		



APPLICATION GUIDE

- 31 | BLUEBIRD
- 31 | BUICK
- 31 | BUICK
- 31 | CADILLAC
- 31-36 | CHEVROLET
- 36 | CHRYSLER
- 36 | COACHMAN MOTOR HOME
- 36-38 | DODGE
- 38 | EAGLE
- 38 | FIAT
- 38-43 | FORD
- 43-45 | FREIGHTLINER
- 45-49 | GMC
- 49 | GRUMMAN - OLSEN
- 49 | HINO
- 49 | HINO
- 49 | HUMMER
- 50 | HYUNDAI
- 50 | IC BUS
- 50-51 | INTERNATIONAL
- 51 | ISUZU
- 51 | JEEP
- 51 | KENWORTH
- 52 | LEXUS
- 52 | LINCOLN
- 52 | LUXOR
- 52 | MACK
- 52 | MAZDA
- 52-53 | MERCEDES
- 53 | MERCURY
- 53 | MITSUBISHI
- 53 | NAVISTAR
- 54 | NISSAN
- 54 | NISSAN
- 54 | OLDSMOBILE
- 54 | PETERBILT
- 54 | PEUGEOT
- 54 | PLYMOUTH
- 54-55 | PONTIAC
- 55 | RAM
- 55 | SAAB
- 55 | SATURN
- 55 | SPARTAN
- 55 | STERLING
- 55 | SUZUKI
- 55-56 | THOMAS
- 56 | THOMAS BUILT
- 56 | TOYOTA
- 56 | VOLKSWAGEN
- 56 | VOLKSWAGEN
- 56 | VOLVO
- 56 | WINNEBAGO
- 56-57 | WORKHORSE
- 58-59 | FMSI CROSS REFERENCE
- 60-81 | BRAKE PAD DRAWINGS

MAKE/MODEL	SUBMODEL	ENGINE YEARS (LITER)	NOTES	FRONT		REAR	
				VT #	FMSI	VT #	FMSI
BLUEBIRD							
ALL AMERICAN		2003-2013		WPD0769x	D769	WPD0769x	D769
AMERICAN		1997-1998	Bendix w/3.36 In. Piston	WPD0184x	D184	WPD0184x	D184
AMERICAN		1997-1998	Bendix w/2.88 In. Piston	WPD0225x	D225	WPD0225x	D225
AMERICAN		1999-2002		WPD0786Ax	D786	WPD0786Ax	D786
COMMERCIAL BUS		1999-2002	Bosch w.2.6 In. Piston (66mm)	WPD0786Ax	D786	WPD0786Ax	D786
COMMERCIAL BUS		Up to 1998	Bendix w/3.36 In. Piston	WPD0184x	D184	WPD0184x	D184
COMMERCIAL BUS		Up to 1998	Bendix w/2.88 In. Piston	WPD0225x	D225	WPD0225x	D225
CV200		1999-2002		WPD0786Ax	D786	WPD0786Ax	D786
CV200		1999-2002	bendix calipers	WPD0225x	D225	WPD0225x	D225
CV200		1999-2002	dayton calipers	WPD0224x	D224	WPD0224x	D224
TC1000		1997-1998	Bendix w/3.36 In. Piston	WPD0184x	D184	WPD0184x	D184
TC1000		1997-1998	Bendix w/2.88 In. Piston	WPD0225x	D225	WPD0225x	D225
TC1000		1999-2002		WPD0786Ax	D786	WPD0786Ax	D786
TC2000		1989-1997	Bendix w/2.88 In. Piston	WPD0225x	D225	WPD0225x	D225
TC2000		1998-2004	73mm 2 piston pin slide caliper	WPD0786x	D786	WPD0786Ax	D786
TC2000		1998-2004	66 mm 2 piston pin slide caliper	WPD0786Ax	D786A	WPD0786Ax	D786A
TC2000		1998-2004	2.88" rail slide caliper	WPD0225x	D225	WPD0225x	D225
TC2000		1998-2004	4 piston caliper	WPD0769x	D769	WPD0769x	D769
VISION		2003-2013		WPD0769x	D769	WPD0769x	D769
BUICK							
ENCLAVE		2008-2014				WPD0883x	D883
LACROSSE		2008-2009	V8	WPD1159x	D1159	WPD0508x	D814
LESABRE		2000-2005				WPD0508x	D814
PARK AVENUE		1997-2005				WPD0508x	D814
RAINER		2004-2007				WPD0883x	D883
REGAL		1995-1996		WPD0376x	D376	WPD0508x	D814
REGAL		1997-2004				WPD0508x	D814
RENDEZVOUS		2002-2007		WPD0856x	D844	WPD0508x	D814
RIVIERA		1997-1999	3.8			WPD0508x	D814
ROADMASTER		1995-1996		WPD0052x	D52		
SKYLARK		1995-1998		WPD0506x	D506		
VERANO		2012-2013				WPD0883x	D883
CADILLAC							
CONCOURS		1997-1999	4.6			WPD0508x	D814
DEVILLE		1997-2005	sedan			WPD0508x	D814
DEVILLE		2000-2005	limo, cab, chassis	WPD0784x	D784	WPD0508x	D814
DEVILLE		2005-2005	Sedan, Exc heavy duty	WPD1076x	D1076		
DTS		2006-2009	4.6 w/Standard Brakes	WPD1159x	D1159		
DTS		2006-2011	Hearse and Limo	WPD0784x	D784		
ELDORADO		1997-2002				WPD0508x	D814
ESCALADE		1999-2000	5.7	WPD0369x	D369		
ESCALADE		2002-2006		WPD0785x	D785		
ESCALADE		2007-2011		WPD1092x	D1092	WPD1194x	D1194
ESCALADE		2009-2011		WPD1363x	D1363	WPD1194x	D1194
FLEETWOOD	BROUGHAM	1995-1996	5.7	WPD0052x	D52		
SEVILLE		1997-2004				WPD0508x	D814
XTS		2013-2013				WPD0883x	D883
CHEVROLET							
ASTRO		1995-2002	4.3 AWD	WPD0369x	D369		
ASTRO		200-2002	RWD	WPD0052x	D52		

Wet Friction

On-HWY Brake Pads

On-HWY Buttons

Park Brakes

Service Brakes

Combo Brakes

Hydraulic Control

Wet Friction

On-HWY Brake Pads

On-HWY Buttons

Park Brakes

Service Brakes

Combo Brakes

Hydraulic Control

ON-HIGHWAY APPLICATIONS

ON-HIGHWAY APPLICATIONS

WPD0702x
INSERT COMPOUND CODE

CARBON SEMI-METALLIC F1.....K
CARBON SEMI-METALLIC F3.....T



MAKE/MODEL	SUBMODEL	ENGINE YEARS (LITER)	NOTES	FRONT		REAR	
				VT #	FMSI	VT #	FMSI
CHEVROLET (CONTINUED)							
ASTRO		2003-2005	4.3	WPD0785x	D785	WPD0792x	D792
AVALANCHE		2002	single piston rear caliper	WPD0785x	D785	WPD0792x	D792
AVALANCHE		2002-2006	dual piston rear caliper	WPD0785x	D785	WPD0834x	D834
AVALANCHE		2003-2006	RWD	WPD0785x	D785	WPD0974x	D974
AVALANCHE		2007-2008	front bracket cast 285C/286C	WPD1092x	D1092	WPD1194x	D1194
AVALANCHE		2009-2011		WPD1363x	D1363	WPD1194x	D1194
AVALANCHE 1500		2002	w/ Limited Slip and Dual Piston Rear Caliper	WPD0785x	D785	WPD0834x	D834
AVALANCHE 1500		2002	w/o Limited slip. w/ Single Piston Rear Caliper.	WPD0785x	D785	WPD0792x	D792
AVALANCHE 1500		2006	5.3 2WD	WPD0785x	D785	WPD0974x	D974
AVALANCHE 1500		2006	5.3 4WD	WPD0785x	D785		
AVALANCHE 1500		2003-2005	5.3 2WD	WPD0785x	D785	WPD0974x	D974
AVALANCHE 1500		2003-2005	5.3 4WD	WPD0785x	D785		
AVALANCHE 2500		2002-2006		WPD0784x	D784	WPD0785x	D785
AVEO		2004-2011		WPD1035x	D1035		
AVEO5		2007-2011		WPD1035x	D1035		
B6P042 SCHOOL BUS		1979-1991	w/Dayton Calipers	WPD0224x	D224	WPD0224x	D224
B6P042 SCHOOL BUS		1979-1991	w/Bendix Calipers	WPD0225x	D225	WPD0225x	D225
B7T SCHOOL BUS		1993-2002	w/Dayton Calipers	WPD0224x	D224	WPD0224x	D224
B7T SCHOOL BUS		1993-2002	w/Bendix Calipers	WPD0225x	D225	WPD0225x	D225
B7T042		1995-1997		WPD0224x	D224	WPD0224x	D224
BERETTA		1995-1996		WPD0506x	D506		
BLAZER (S10 SERIES)		1995-1997	rwd	WPD0154x	D154		
C1500 PICKUP		1995-1999		WPD0369x	D369		
C2500 PICKUP		1995-2000	7200 lbs. GVWR	WPD0369x	D369		
C2500 PICKUP		1995-2000	8600 lbs. GVWR	WPD0370x	D370		
C2500 SUBURBAN		1995-1999		WPD0369x	D369		
C3500 PICKUP		1995-2000	SRW	WPD0370x	D370	WPD0184x	D380
C3500 PICKUP		1995-2000	DRW	WPD0459x	D459		
C3500 PICKUP		1997-2002	single and dual piston calipers	WPD0184x	D184	WPD0184x	D184
C4		2003-2005		WPD1010x	D1010	WPD1010x	D1010
C4500		1995-1996		WPD0225x	D225	WPD0225x	D225
C4500	KODIAK	2003-2010	2 piston caliper	WPD1010x	D1010	WPD1010x	D1010
C4500	KODIAK	2003-2010	w/7.8mm Front Axle	WPD0769x	D769	WPD0769x	D769
C5500		1995-1996		WPD0225x	D225	WPD0225x	D225
C5500	KODIAK	2003-2010	2 piston caliper	WPD1010x	D1010	WPD1010x	D1010
C5500	KODIAK	2003-2010	w/7.8mm Front Axle	WPD0769x	D769	WPD0769x	D769
C5D042		1988-1990		WPD0184x	D184	WPD0224x	D224
C5D064		1988-1990		WPD0184x	D184	WPD0224x	D224
C5H042		1990-2002	w/Dayton Calipers	WPD0224x	D224	WPD0224x	D224
C60		1983-1978		WPD0224x	D224	WPD0225x	D225
C60		1988-1990	bendix calipers- single piston	WPD0184x	D184	WPD0184x	D184
C60		1988-1990	bendix calipers- 2 piston	WPD0225x	D225	WPD0225x	D225
C60		1988-1990	dayton calipers	WPD0224x	D224	WPD0224x	D224
C6500		1990-1994	w/Dayton Calipers	WPD0224x	D224	WPD0224x	D224
C6500		1990-1994		WPD0225x	D225	WPD0225x	D225
C6500		1995-2002	w/Dayton Calipers. Rear 4-Piston Calipers	WPD0224x	D224	WPD0769x	D769
C6500	KODIAK	2003-2010		WPD0769x	D769	WPD0769x	D769
C6D042		1983-1978		WPD0224x	D224	WPD0225x	D225
C6D042		1983-1990		WPD0224x	D224	WPD0224x	D224
C6D042		1988-1990	bendix calipers- single piston	WPD0184x	D184	WPD0184x	D184

MAKE/MODEL	SUBMODEL	ENGINE YEARS (LITER)	NOTES	FRONT		REAR	
				VT #	FMSI	VT #	FMSI
CHEVROLET (CONTINUED)							
C6D042		1988-1990	bendix calipers- 2 piston	WPD0225x	D225	WPD0225x	D225
C6D042		1988-1990	dayton calipers	WPD0224x	D224	WPD0224x	D224
C6D042		1988-1990	w/Bendix Single Piston Calipers	WPD0184x	D184	WPD0184x	D184
C6D042		1988-2002	w/Bendix 2-Piston Calipers	WPD0225x	D225	WPD0225x	D225
C6H042		1990-1994	w/Dayton Calipers	WPD0224x	D224	WPD0224x	D224
C6H042		1995-2002	w/Dayton Calipers. Rear 4-Piston Calipers	WPD0224x	D224	WPD0769x	D769
C6H042		2003-2007		WPD0769x	D769	WPD0769x	D769
C6H042 KODIAK		1995-1997	Front Dayton Calipers. Rear 2 Piston Calipers	WPD0224x	D224	WPD0224x	D224
C6H042 KODIAK		1995-1997	Front Dayton Calipers. Rear 4 Piston Calipers	WPD0224x	D224	WPD0769x	D769
C6H042 KODIAK		1998-1998		WPD0769x	D769	WPD0769x	D769
C70		1983-1987	bendix caliper- 2 piston	WPD0225x	D225	WPD0225x	D225
C70		1983-1987	dayton calipers	WPD0224x	D224	WPD0224x	D224
C70		1988-1990	bendix calipers- single piston	WPD0184x	D184	WPD0184x	D184
C70		1988-1990	bendix calipers- 2 piston	WPD0225x	D225	WPD0225x	D225
C70		1988-1990	dayton calipers	WPD0224x	D224	WPD0224x	D224
C7500		1990-1994	w/Dayton Calipers	WPD0224x	D224	WPD0224x	D224
C7500		1990-2002	w/Bendix Calipers	WPD0225x	D225	WPD0225x	D225
C7500		1995-2002	w/Dayton Calipers. Rear 4-Piston Calipers	WPD0224x	D224	WPD0769x	D769
C7500	KODIAK	2003-2010		WPD0769x	D769	WPD0769x	D769
C7D042		1983-1987	w/Dayton Calipers	WPD0224x	D224	WPD0225x	D225
C7D042		1983-1990	w/Bendix 2-Piston Calipers	WPD0225x	D225	WPD0225x	D225
C7D042		1988-1990	w/Bendix Single Piston Calipers	WPD0184x	D184	WPD0184x	D184
C7D042		1988-1990	w/Dayton Calipers	WPD0224x	D224	WPD0224x	D224
C7D064		1983-1987	w/Dayton Calipers	WPD0224x	D224	WPD0225x	D225
C7D064		1983-1990	w/Bendix 2-Piston Calipers	WPD0225x	D225	WPD0225x	D225
C7D064		1988-1990	w/Bendix Single Piston Calipers	WPD0184x	D184	WPD0184x	D184
C7D064		1988-1990	w/Dayton Calipers	WPD0224x	D224	WPD0224x	D224
C7H042		1990-1994	w/Dayton Calipers	WPD0224x	D224	WPD0224x	D224
C7H042		1990-2002	w/Bendix Calipers	WPD0225x	D225	WPD0225x	D225
C7H042		1995-2002	w/Dayton Calipers. Rear 4-Piston Calipers	WPD0224x	D224	WPD0769x	D769
C7H042		2003-2007		WPD0769x	D769	WPD0769x	D769
C7H042 KODIAK		1998-1998		WPD0769x	D769	WPD0769x	D769
C7H064		1990-1994	w/Dayton Calipers	WPD0224x	D224	WPD0224x	D224
C7H064		1990-2002	w/Bendix Calipers	WPD0225x	D225	WPD0225x	D225
C7H064		1995-2002	w/Dayton Calipers. Rear 4-Piston Calipers	WPD0224x	D224	WPD0769x	D769
C7H064		2003-2007		WPD0769x	D769	WPD0769x	D769
CAPRICE		1991-1993	11" REAR DRUM- HEAVY DUTY POLICE	WPD0614x	D614		
CAPRICE		1995-1996	9.5" rear drum	WPD0052x	D52		
CAPRICE		1995-1996	11" rear drum	WPD0153x	D614		
CAVALIER		1995-2002		WPD0506x	D506		
COBALT		2005-2007	Rear Disc; 5 lug	WPD1160x	D1028	WPD1033x	D1033
COLORADO		2004-2008		WPD1039x	D1039		
COLORADO		2009-2012	RWD	WPD1169x	D1169		
CORSICA		1995-1996		WPD0506x	D506		
EQUINOX		2005-2006		WPD0833x	D833		
EXPRESS 1500		1996-2002		WPD0369x	D369		
EXPRESS 1500		2003-2008		WPD0785x	D785	WPD0974x	D974
EXPRESS 1500		2009-2014		WPD1363x	D1363	WPD0974x	D974
EXPRESS 2500		1996-2002		WPD0369x	D369		
EXPRESS 2500		2003-2006	8 lug	WPD0784x	D784		

Wet Friction
On-HWY Brake Pads
On-HWY Buttons
Park Brakes
Service Brakes
Combo Brakes
Hydraulic Control

Wet Friction
On-HWY Brake Pads
On-HWY Buttons
Park Brakes
Service Brakes
Combo Brakes
Hydraulic Control

ON-HIGHWAY APPLICATIONS

ON-HIGHWAY APPLICATIONS

WPD0702x
INSERT COMPOUND CODE

CARBON SEMI-METALLIC F1.....K
CARBON SEMI-METALLIC F3.....T



MAKE/MODEL	SUBMODEL	ENGINE YEARS (LITER)	NOTES	FRONT		REAR	
				VT #	FMSI	VT #	FMSI
CHEVROLET (CONTINUED)							
EXPRESS 2500		2003-2005	6 lug	WPD0785x	D785	WPD0974x	D974
EXPRESS 2500		2006-2014		WPD0784x	D784	WPD0974x	D974
EXPRESS 2500							
EXPRESS 3500		1996-2002	DRW	WPD0459x	D459		
EXPRESS 3500		2003-2008	Dual Rear Wheels	WPD0784x	D784	WPD0989x	D989
EXPRESS 3500		2003-2014	SRW	WPD0784x	D784	WPD0974x	D974
EXPRESS 3500		2009-2014	DRW	WPD0784x	D784	WPD1411x	D1411
F6B042		1997-1997		WPD0224x	D224	WPD0224x	D224
G30 VAN		1996	DRW	WPD0459x	D459		
G30 VAN		1995-1995		WPD0149x	D149		
HHR		2008-2011	except Brembo front calipers	WPD1160x	D1028		
IMPALA		2005		WPD1076x	D1076	WPD0508x	D814
IMPALA		2000-2004				WPD0508x	D814
IMPALA		2006-2010		WPD1159x	D1159	WPD0508x	D814
IMPALA SS		1994-1996		WPD0614x	D614		
IMPALA SS		1995-1996	5.7	WPD0153x	D614		
K1500 PICKUP		1995-1998		WPD0369x	D369		
K1500 SUBURBAN		1995-1999	11' rear drum; 6 lug	WPD0369x	D369		
K2500 PICKUP		1995-2000	w/11 in. Drums; 6 lug	WPD0369x	D369		
K2500 PICKUP		1995-2000	w/13 in. Drums; 8 Lug	WPD0370x	D370		
K2500 SUBURBAN		1995-1999		WPD0369x	D369		
K2500 SUBURBAN		1995-1999		WPD0370x	D370		
K3500 PICKUP		1995-2000	Single Rear Wheels	WPD0370x	D370		
K3500 PICKUP		1997-2000	DRW	WPD0459x	D459		
LUMINA		1995-1999		WPD0376x	D376	WPD0508x	D814
MALIBU		2004-2011		WPD1160x	D1028	WPD1033x	D1033
MONTE CARLO		2005		WPD1076x	D1076	WPD0508x	D814
MONTE CARLO		1995-1999		WPD0376x	D376		
MONTE CARLO		2000-2004				WPD0508x	D814
OPTRA		2004		WPD1035x	D1035	WPD1036x	D1036
P30 VAN		1995-1996		WPD0149x	D149	WPD0149x	D149
P30 VAN		1997-1999	Rear Drum Brakes	WPD0149x	D149		
P30 VAN		1997-1999	Rear Disc Brakes	WPD0184x	D717	WPD0184x	D717
P4T042		1988-1996	w/Bendix Calipers	WPD0184x	D184	WPD0184x	D184
P4T042		1988-1996	w/Dayton Calipers	WPD0224x	D224	WPD0224x	D224
P6S		1992-1996	w/Dayton Calipers	WPD0224x	D224	WPD0224x	D224
P6S		1992-1996	w/Bendix Calipers	WPD0225x	D225	WPD0225x	D225
P6S042		1995-1996		WPD0224x	D224	WPD0224x	D224
P6T042		1983-1987	w/Dayton Calipers	WPD0224x	D224		
P6T042		1983-1987	w/Bendix Calipers	WPD0225x	D225		
P6T042		1988-1990	w/Bendix Single Piston Calipers	WPD0184x	D184	WPD0184x	D184
P6T042		1988-1990	w/Dayton Calipers	WPD0224x	D224	WPD0224x	D224
P6T042		1988-1990	w/Bendix 2-Piston Calipers	WPD0225x	D225	WPD0225x	D225
S10 PICKUP		1995-1996	rwd	WPD0154x	D154		
S10 PICKUP		1998-2003	rwd	WPD0154x	D154	WPD0729x	D729
S7T042 FORWARD CONTROL		1983-1990		WPD0225x	D225	WPD0225x	D225
SILVERADO 1500		1999-2001		WPD0785x	D785	WPD0792x	D792
SILVERADO 1500		2002-2002	4.3 Regular Cab. 2 Wheel Steering.	WPD0785x	D785	WPD0792x	D792
SILVERADO 1500		2002-2003	Extended Cab. 4 Wheel Steering.	WPD0785x	D785	WPD0834x	D834
SILVERADO 1500		2003-2003	5.3 4 Door Heavy Duty. 4 Wheel Steering.	WPD0785x	D785	WPD0792x	D792

MAKE/MODEL	SUBMODEL	ENGINE YEARS (LITER)	NOTES	FRONT		REAR	
				VT #	FMSI	VT #	FMSI
CHEVROLET (CONTINUED)							
SILVERADO 1500		2004-2004	4.3 Extended Cab. 2 Wheel Steering. Except Hybrid.	WPD0785x	D785	WPD0792x	D792
SILVERADO 1500		2004-2006	Crew Cab	WPD0785x	D785	WPD0834x	D834
SILVERADO 1500		2005-2005	4.8 7200 lb. GVW, Crew Cab, Rear Disc w/Hyd. Pwr. Brakes	WPD1092x	D1092	WPD0785x	D785
SILVERADO 1500		2005-2005	5.3 7200 lb. GVW, Ext. Cab, w/Hyd. Pwr. Brakes	WPD1092x	D1092	WPD0834x	D834
SILVERADO 1500		2005-2005	4.3 7200 lb. GVW, Crew Cab, Rear Disc w/Vacuum Pwr. Brakes	WPD0785x	D785	WPD0785x	D785
SILVERADO 1500		2005-2006	RWD, 4WD, extended cab, hybrid model; rear disc	WPD0785x	D785	WPD0792x	D792
SILVERADO 1500		2005-2008	Rear Drum Brakes, cal brkt cast 285C/286C	WPD1092x	D1092		
SILVERADO 1500		2005-2008	rear disc brakes (rear part numbers)	WPD1092x	D1092	WPD1194x	D1194
SILVERADO 1500	POLICE	2008-2008		WPD1092x	D1367		
SILVERADO 1500		2008-2011	rear disc	WPD1363x	D1363	WPD1194x	D1194
SILVERADO 1500	POLICE	2010-2010		WPD1092x	D1367		
SILVERADO 1500 HD		2001-2007		WPD0784x	D784	WPD0785x	D785
SILVERADO 2500		1999-2006		WPD0784x	D784	WPD0785x	D785
SILVERADO 2500 HD		2001-2011		WPD0784x	D784	WPD0785x	D785
SILVERADO 2500 HD		2012-2013		WPD1565x	D1565		
SILVERADO 3500		2001-2008		WPD0784x	D784	WPD0909x	D909
SILVERADO 3500 HD		2007-2009	DRW	WPD0784x	D784	WPD0785x	D785
SILVERADO 3500 HD		2007-2010	SRW	WPD0784x	D784	WPD0909x	D909
SILVERADO 3500 HD		2012-2013		WPD1565x	D1565		
SILVERADO SS		2003-2005		WPD0785x	D785	WPD0834x	D834
SSR		2003-2007				WPD0883x	D883
SUBURBAN 1500		2007		WPD1092x	D1092	WPD1194x	D1194
SUBURBAN 1500		2000-2000	11' rear drums	WPD0369x	D369		
SUBURBAN 1500		2000-2002	5.3 w/Limited Slip	WPD0785x	D785	WPD0834x	D834
SUBURBAN 1500		2000-2002	5.3 w/o Limited Slip	WPD0785x	D785	WPD0792x	D792
SUBURBAN 1500		200-2000	13' rear drums	WPD0370x	D370		
SUBURBAN 1500		2003-2006	5.3 2WD	WPD0785x	D785	WPD0974x	D974
SUBURBAN 1500		2008-2011		WPD1363x	D1363	WPD1194x	D1194
SUBURBAN 1500	POLICE	2010-2010		WPD1092x	D1367		
SUBURBAN 2500		2000-2011	6.0 rear disc	WPD0784x	D784	WPD0785x	D785
T5500		1996-2002	From 3/1996. w/Dayton Calipers	WPD0224x	D224	WPD0224x	D224
T5500		1996-2002	From 3/1996. w/Bendix Calipers	WPD0225x	D225	WPD0225x	D225
T5500		2004-2010		WPD0769x	D769	WPD0769x	D769
T6500		1996-2002	From 3/1996. w/Dayton Calipers	WPD0224x	D224	WPD0224x	D224
T6500		1996-2002	From 3/1996. w/Bendix Calipers	WPD0225x	D225	WPD0225x	D225
T6500		2004-2010		WPD0769x	D769	WPD0769x	D769
T7500		1996-2002	From 3/1996. w/Dayton Calipers	WPD0224x	D224	WPD0224x	D224
T7500		1996-2002	From 3/1996. w/Bendix Calipers	WPD0225x	D225	WPD0225x	D225
T7500		2004-2010		WPD0769x	D769	WPD0769x	D769
T8500		1996-2002	From 3/1996. w/Dayton Calipers	WPD0224x	D224	WPD0224x	D224
T8500		1996-2002	From 3/1996. w/Bendix Calipers	WPD0225x	D225	WPD0225x	D225
T8500		2004-2010		WPD0769x	D769	WPD0769x	D769
TAHOE	Z71	2005	5.3	WPD0785x	D785		
TAHOE	Z71	2006	5.3 RWD	WPD0785x	D785	WPD0974x	D974
TAHOE		1995-2000		WPD0369x	D369		
TAHOE		1996-2000	Police	WPD0370x	D370		
TAHOE		2001-2002	RWD, 4WD, limited slip axle,	WPD0785x	D785	WPD0834x	D834
TAHOE		2003-2004		WPD0785x	D785		
TAHOE		2006-2006	4.8	WPD0785x	D785	WPD0974x	D974
TAHOE		2006-2006	5.3	WPD0785x	D785	WPD0974x	D974

Wet Friction

On-HWY Brake Pads

On-HWY Buttons

Park Brakes

Service Brakes

Combo Brakes

Hydraulic Control

Wet Friction

On-HWY Brake Pads

On-HWY Buttons

Park Brakes

Service Brakes

Combo Brakes

Hydraulic Control

ON-HIGHWAY APPLICATIONS

ON-HIGHWAY APPLICATIONS

WPD0702x
INSERT COMPOUND CODE

CARBON SEMI-METALLIC F1.....K
CARBON SEMI-METALLIC F3.....T



MAKE/MODEL	SUBMODEL	ENGINE YEARS (LITER)	NOTES	FRONT		REAR	
				VT #	FMSI	VT #	FMSI
CHEVROLET (CONTINUED)							
TAHOE		2007-2008	front bracket cast 285C/286C	WPD1092x	D1092	WPD1194x	D1194
TAHOE		2008-2014		WPD1363x	D1363	WPD1194x	D1194
TAHOE	POLICE	2010-2014		WPD1092x	D1367		
TAHOE		2015-2015		WPD1363x	D1363		D1707
TRAILBLAZER		2002-2009				WPD0883x	D883
TRAVERSE		2009-2014				WPD0883x	D883
VENTURE		1997-2005	FWD			WPD0508x	D814
VENTURE		2002-2005	AWD	WPD0856x	D844	WPD0508x	D814
W3500		1995-1997		WPD0546x	D546		
W3500		1997-2009	except gas engine 14001-16000 GVV	WPD0825x	D825		
W3500	GAS ENGINE	1997-2009	From 10/1997, 14,001 - 16,000 GVV	WPD0827x	D827		
W4		1995-1997		WPD0546x	D546		
W4	DIESEL ENGINE	1998-2007		WPD0825x	D825		
W4	GAS ENGINE	1999-2005	From 7/1999	WPD0827x	D827		
W4500		1995-1997		WPD0546x	D546		
W4500		1997-2009	except diesel engine 16001-19500 GVV and gas engine 14001-16000 GVV	WPD0825x	D825		
W4500		1998-2009	except diesel eng 14001-1600 GVV and gas engine 14001-16000 GVV	WPD0827x	D827		
W5500		1999-2009		WPD0827x	D827		
W5500HD		2005-2010		WPD0827x	D827		
CHRYSLER							
300		2005-2010	Vented Rear Disc	WPD1058x	D1058	WPD1057Ax	D1057
300		2005-2014				WPD1057x	D1057
300M		1999-2004		WPD0591x	D591		
ASPEN	LIMITED	2007-2009		WPD1084x	D1084	WPD0967x	D967
ASPEN		2007-2009				WPD0898x	D898
CONCORDE		1993-1997		WPD0591x	D591		
CONCORDE		1995-1997		WPD0642x	D642	WPD0782x	D641
CONCORDE		1998-2004				WPD0782x	D641
LHS		1993-2001		WPD0591x	D591		
LHS		1995-1997	3.5	WPD0642x	D642	WPD0782x	D641
LHS		1999-2001	3.5			WPD0782x	D641
NEW YORKER		1994-1994		WPD0591x	D591		
NEW YORKER		1995-1996	3.5	WPD0642x	D642	WPD0782x	D641
PACIFICA		2004-2007		WPD0931x	D997		
PROWLER		2001-2002	3.5			WPD0730x	D730
PROWLER		2001-2002		WPD0591x	D591		
TOWN & COUNTRY		1996-2000		WPD0642x	D642		
TOWN & COUNTRY		2001-2007	Rear Disc	WPD0857x	D857	WPD0858x	D858
TOWN & COUNTRY		2004-2004	3.3 Drum	WPD0856x	D844		
TOWN & COUNTRY		2008-2009		WPD1327x	D1327	WPD1326x	D1326
TOWN AND COUNTRY		1996-2000		WPD0591x	D591		
COACHMAN MOTOR HOME							
CATALINA		1976-1991	w/Front Disc Brakes	WPD0450x	D450		
CATALINA		1995-1998	w/Front Disc Brakes	WPD0655x	D655		
CATALINA		1997-1998	w/4 Wheel Disc Brakes	WPD0411x	D411	WPD0411x	D411
LEPRECHAUN		1976-1991	w/Front Disc Brakes	WPD0450x	D450		
LEPRECHAUN		1995-1998	w/Front Disc Brakes	WPD0655x	D655		
LEPRECHAUN		1997-1998	w/4 Wheel Disc Brakes	WPD0411x	D411	WPD0411x	D411
DODGE							
B1500 VAN		1995-1997		WPD0269x	D269		

MAKE/MODEL	SUBMODEL	ENGINE YEARS (LITER)	NOTES	FRONT		REAR	
				VT #	FMSI	VT #	FMSI
DODGE (CONTINUED)							
B1500 VAN		1998-1998		WPD0702x	D758		
B1500 VAN		1998-1998		WPD0758x	D702		
B2500 VAN		1995-1997		WPD0269x	D269		
B2500 VAN		1998-1998	5.2	WPD0655x	D655		
B3500 VAN		1995-1997		WPD0269x	D269		
B3500 VAN		1998-1998	5.2	WPD0655x	D655		
CALIBER	SRT-4	2008-2008	2.4	WPD1058x	D1058		
CARAVAN		1996-2000		WPD0642x	D642		
CARAVAN		1996-2000		WPD0591x	D591		
CARAVAN		2001-2007	Rear Drum	WPD0856x	D844		
CARAVAN		2001-2007	Rear Disc, Rear Drum, Except Caliper Cast 6623.9	WPD0857x	D857	WPD0858x	D858
CHALLENGER		2008-2013				WPD1057x	D1057
CHALLENGER	R/T	2009-2011	vented rear disc	WPD1058x	D1058	WPD1057Ax	D1057
CHARGER		2006-2011	R/T, Daytona, Police pkg, Vented Rear Disc	WPD1058x	D1058	WPD1057Ax	D1057
CHARGER		2006-2013				WPD1057x	D1057
DAKOTA		2000-2002		WPD0820x	D820		
DAKOTA		2005-2011		WPD1084x	D1084		
DURANGO		2000-2002		WPD0820x	D820		
DURANGO		2003-2003		WPD0758x	D702		
DURANGO		2003-2006		WPD0702x	D758	WPD0967x	D967
DURANGO		2003-2009				WPD0898x	D898
DURANGO		2004-2006		WPD0897x	D897		
DURANGO		2007-2009		WPD1084x	D1084	WPD0967x	D967
DURANGO		2011-2012014		WPD1455x	D1455	WPD1498x	D1498
DURANGO		2011-2014				WPD1498x	D1498
GRAND CARAVAN		1996-2000		WPD0642x	D642		
GRAND CARAVAN		1996-2000		WPD0591x	D591		
GRAND CARAVAN		1997-2000		WPD0591x	D519		
GRAND CARAVAN		2001-2005	Rear Drum	WPD0856x	D844		
GRAND CARAVAN		2001-2007	Rear Disc, Rear Drum, Except Caliper Cast 6623.9	WPD0857x	D857	WPD0858x	D858
GRAND CARAVAN		2008-2009		WPD1327x	D1327	WPD1326x	D1326
INTREPID		1993-1997		WPD0591x	D591		
INTREPID		1995-1997		WPD0642x	D642	WPD0782x	D641
INTREPID		1998-2004				WPD0782x	D641
JOURNEY		2009-2009		WPD1327x	D1327	WPD1326x	D1326
MAGNUM		2005-2008	Vented Rear Disc	WPD1058x	D1058	WPD1057Ax	D1057
MAGNUM		2005-2008	W/VENTED REAR ROTOR			WPD1057x	D1057
NEON		1995-1999	Rear Disc	WPD0642x	D642	WPD0782x	D641
NEON		2000-2004	except SRT-4			WPD0782x	D641
NITRO		2009-2009	w/Heavy Duty Brakes.	WPD1327x	D1327		
RAM 1500		2011-2014				WPD0898x	D898
RAM 1500 PICKUP		1995-1999		WPD0369x	D369		
RAM 1500 PICKUP		2000-2001		WPD0758x	D702		
RAM 1500 PICKUP		2000-2005		WPD0702x	D758	WPD0967x	D967
RAM 1500 PICKUP		200-2001		WPD0702x	D702		
RAM 1500 PICKUP		2002-2002		WPD0897x	D897		
RAM 1500 PICKUP		2002-2014				WPD0898x	D898
RAM 1500 PICKUP		2004-2008				WPD0758x	D702
RAM 1500 PICKUP	LARAMIE	2006-2006	4.7 Full Crew Cab	WPD0965x	D965	WPD0967x	D967
RAM 1500 PICKUP		2006-2008	Mega Cab	WPD0965x	D965	WPD0967x	D967

Wet Friction

On-HWY Brake Pads

On-HWY Buttons

Park Brakes

Service Brakes

Combo Brakes

Hydraulic Control

Wet Friction

On-HWY Brake Pads

On-HWY Buttons

Park Brakes

Service Brakes

Combo Brakes

Hydraulic Control

WPD0702x
INSERT COMPOUND CODE

CARBON SEMI-METALLIC F1.....K
CARBON SEMI-METALLIC F3.....T



MAKE/MODEL	SUBMODEL	ENGINE YEARS (LITER)	NOTES	FRONT		REAR	
				VT #	FMSI	VT #	FMSI
DODGE (CONTINUED)							
RAM 1500 PICKUP		2006-2014	Except Mega Cab	WPD1084x	D1084	WPD0967x	D967
RAM 1500 PICKUP		2012-2012	TRADESMAN HD MODELS			WPD1400x	D1400
RAM 1500 VAN		1999-2002		WPD0758x	D702		
RAM 1500 VAN		1999-2003		WPD0702x	D758		
RAM 1500 VAN		2003		WPD0702x	D702	WPD0898x	D898
RAM 1500 VAN		2003-2003				WPD0898x	D898
RAM 2500 PICKUP		1998	RWD	WPD0370x	D370		
RAM 2500 PICKUP		1995-1997	4WD, Dana 44 FA	WPD0370x	D370		
RAM 2500 PICKUP		1995-1998	4WD, Dana 60 FA	WPD0459x	D459		
RAM 2500 PICKUP		2000-2002		WPD0821x	D821		
RAM 2500 PICKUP		2000-2008				WPD0758x	D702
RAM 2500 PICKUP		2003-2008		WPD0965x	D965	WPD0702x	D1077
RAM 2500 PICKUP		2009-2014		WPD1399x	D1399	WPD1400x	D1400
RAM 2500 PICKUP		2009-2014				WPD1400x	D1400
RAM 2500 VAN		1999-2003	5.2	WPD0655x	D655		
RAM 3500		2009-2014		WPD1399x	D1399	WPD1400x	D1400
RAM 3500 PICKUP		1995-1999		WPD0459x	D459		
RAM 3500 PICKUP		2000-2002		WPD0821x	D821		
RAM 3500 PICKUP		2000-2008				WPD0758x	D702
RAM 3500 PICKUP		2003-2008		WPD0965x	D965	WPD0702x	D1077
RAM 3500 PICKUP		2009-2013				WPD1400x	D1400
RAM 3500 VAN		1999-2003	5.2	WPD0655x	D655		
RAM 4500 PICKUP		2008-2015		WPD1335x	D1335	WPD1335x	D1335
RAM 5500 PICKUP		2008-2015		WPD1335x	D1335	WPD1335x	D1335
RAM C/V		2003-2004	FWD-front caliper casting #6623.9	WPD0857x	D857		
RAM C/V		2003-2007	FWD- front caliper casting #134731	WPD0856x	D856		
RAM C/V		2003-2007	with rear disc	WPD0857x	D857	WPD0858x	D858
RAM C/V		2008-2014		D1273			D1021
RAM C/V		2012-2014	dual piston front caliper		D1589		D1596
SPRINTER 2500		2002-2006	w/o sensor	WPD0949x	D949		
SPRINTER 2500		2002-2006	clip style sensor	WPD1136x	D1136		
SPRINTER 2500		2002-2006	w/o sensor	WPD1136x	D1136		
SPRINTER 2500		2002-2009	2.7 w/Bosch Calipers. Includes Electronic Wear Sensor.	WPD0949xA	D949A	WPD0928xA	D928
SPRINTER 2500		2007-2009	w/o Electronic Wear Sensor.	WPD1316xA	D1316A	WPD1317x	D1317
SPRINTER 3500		2002-2005	bosch rear caliper w/o sensor			WPD0928x	D928
SPRINTER 3500		2002-2005	bosch rear caliper with sensor			WPD0928xA	D928A
SPRINTER 3500		2002-2005	clip style sensor	WPD1006xA	D1006A	WPD1006xA	D1006A
SPRINTER 3500		2002-2005	w/o sensor	WPD1006x	D1006A	WPD1006x	D1006
SPRINTER 3500		2002-2006	2.7 w/Bosch Calipers. Includes Electronic Wear Sensor.	WPD0949xA	D949	WPD0928xA	D928
SPRINTER 3500		2007-2009	DRW w/o electronic wear sensor	WPD1268xA	D1268	WPD1318xA	D1318
SPRINTER 3500		2007-2009	SRW w/o electronic wear sensor	WPD1268xA	D1268	WPD1317xA	D1317
SPRINTER 3500		2007-2009	DRW- with electronic wear sensor	WPD1268xA	D1268A	WPD1318xA	D1318A
SPRINTER 3500		2007-2009	SRW-with electronic wear sensor	WPD1268xA	D1268A	WPD1317xA	D1317A
EAGLE							
VISION		1993-1997		WPD0591x	D591		
VISION		1995-1997		WPD0642x	D642	WPD0782x	D641
FIAT							
DUCATO		2008-2010	LATIN AMERICA			WPD1490x	D1490
FORD							
AEROSTAR		1995-1997	3.0	WPD0387x	D249		

MAKE/MODEL	SUBMODEL	ENGINE YEARS (LITER)	NOTES	FRONT		REAR	
				VT #	FMSI	VT #	FMSI
FORD (CONTINUED)							
B600 BUS		1984-1998	w/Dayton 2.5 In. 2-Piston Caliper	WPD0224x	D224		
B600 BUS		1984-1998	w/Dayton 2.88 In. 2-Piston Caliper	WPD0236x	D236		
B700 BUS		1984-1998	w/Dayton 2.5 In. 2-Piston Caliper	WPD0224x	D224		
B700 BUS		1984-1998	w/Dayton 2.88 In. 2-Piston Caliper	WPD0236x	D236		
B800 BUS		1984-1998	w/Dayton 2.5 In. 2-Piston Caliper	WPD0224x	D224		
B800 BUS		1984-1998	w/Dayton 2.88 In. 2-Piston Caliper	WPD0236x	D236		
BRONCO		1995-1996		WPD0632x	D632		
C600 BUS	TILT CAB	1984-1990	w/Dayton 2.5 In. 2-Piston Caliper	WPD0224x	D224		
C600 BUS	TILT CAB	1984-1990	w/Dayton 2.88 In. 2-Piston Caliper	WPD0236x	D236		
C700 BUS	TILT CAB	1984-1990	w/Dayton 2.5 In. 2-Piston Caliper	WPD0224x	D224		
C700 BUS	TILT CAB	1984-1990	w/Dayton 2.88 In. 2-Piston Caliper	WPD0236x	D236		
C800 BUS	TILT CAB	1984-1990	w/Dayton 2.5 In. 2-Piston Caliper	WPD0224x	D224		
C800 BUS	TILT CAB	1984-1990	w/Dayton 2.88 In. 2-Piston Caliper	WPD0236x	D236		
C900 BUS	TILT CAB	1984-1990	w/Dayton 2.5 In. 2-Piston Caliper	WPD0224x	D224		
C900 BUS	TILT CAB	1984-1990	w/Dayton 2.88 In. 2-Piston Caliper	WPD0236x	D236		
C-MAX		2013-2013		WPD1044x	D1044		
CROWN VICTORIA		1998-1998	phenolic piston	WPD0748x	D748		
CROWN VICTORIA		2003-2009		WPD0931x	D997	WPD0932x	D932
E-150 ECONOLINE		1995-2003		WPD0632x	D632		
E-150 ECONOLINE		2007		WPD0655x	D655	WPD0802x	D802
E-150 ECONOLINE		2008-2014		WPD1328x	D1328	WPD1329x	D1329
E-150		2008-2009		WPD1328x	D1328	WPD1329x	D1329
E-250		2006-2007		WPD0655x	D655	WPD0802x	D802
E-250 ECONOLINE		1976-1991		WPD0120X	D120		
E-250 ECONOLINE		1989-1991		WPD0450x	D450		
E-250 ECONOLINE		1995-2005		WPD0655x	D655		
E-250 ECONOLINE		2000-2005		WPD0655x	D655	WPD0802x	D802
E-250 ECONOLINE		2008-2014		WPD1328x	D1328	WPD1329x	D1329
E-250		2008-2009		WPD1328x	D1328	WPD1329x	D1329
E-350 ECONOLINE		1978-1991		WPD0120X	D120		
E-350 ECONOLINE		1989-1991		WPD0450x	D450		
E-350 ECONOLINE	HD CLUB WAGON	1995-1996	4.9	WPD0655x	D655		
E-350 ECONOLINE		1995-2002		WPD0655x	D655		
E-350 ECONOLINE		1999-2007		WPD0655x	D655	WPD0802x	D802
E-350 ECONOLINE		2008-2015		WPD1328x	D1328	WPD1329x	D1329
E-350 SUPER DUTY		2006-2007		WPD0655x	D655	WPD0802x	D802
E-350 SUPER DUTY		2008-2009		WPD1328x	D1328	WPD1329x	D1329
E-450 ECONOLINE		2003-2003	5.4	WPD0655x	D655	WPD0655x	D655
E-450 SUPER DUTY		1996-2007		WPD0655x	D655	WPD0411x	D411
E-450 SUPER DUTY		2008-2010		WPD1328x	D1328	WPD1330x	D1330
E-550 SUPER DUTY		2002-2006		WPD0777x	D777	WPD0777x	D777
ESCAPE		2008-2012		WPD1047x			
ESCAPE		2013-2014		WPD1044x	D1044		
EXCURSION		2000-2005		WPD0756x	D824	WPD0757x	D757
EXCURSION		2000-2005		WPD0824x	D756		
EXCURSION		2000-2005		WPD0756xA	D756A		
EXPEDITION		1997-2002		WPD0702x	D702	WPD0711x	D711
EXPEDITION		1997-2002		WPD0758x	D702		
EXPEDITION		1997-2002		WPD0966x	D702		
EXPEDITION		2003-2006				WPD0935x	D935

Wet Friction

On-HWY Brake Pads

On-HWY Buttons

Park Brakes

Service Brakes

Combo Brakes

Hydraulic Control

Wet Friction

On-HWY Brake Pads

On-HWY Buttons

Park Brakes

Service Brakes

Combo Brakes

Hydraulic Control

ON-HIGHWAY APPLICATIONS

ON-HIGHWAY APPLICATIONS

WPD0702x
INSERT COMPOUND CODE

CARBON SEMI-METALLIC F1.....K
CARBON SEMI-METALLIC F3.....T



MAKE/MODEL	SUBMODEL	ENGINE YEARS (LITER)	NOTES	FRONT		REAR	
				VT #	FMSI	VT #	FMSI
FORD (CONTINUED)							
EXPEDITION	EDDIE BAUER	2007-2009	5.4		WPD1278x	D1278	WPD1279x D1279
EXPLORER		1995-2001			WPD0652x	D652	WPD0667x D667
EXPLORER	SPORT	2001-2003	4.0		WPD0833x	D833	WPD0667x D667
EXPLORER		2002-2005	4.0		WPD0833x	D833	
EXPLORER		2006-2010	All		WPD1158x	D1158	WPD1109x D1109
EXPLORER		2011-2011	All		WPD1158x	D1158	WPD1377x D1377
EXPLORER		2011-2014			WPD1508x	D1508	
EXPLORER SPORT TRAC		2001-2002	4.0		WPD0833x	D833	
EXPLORER SPORT TRAC		2003-2005	4.0		WPD0833x	D833	WPD0667x D667
EXPLORER SPORT TRAC		2007-2010	All		WPD1158x	D1158	WPD1109x D1109
F-150		2000-2004			WPD0966x	D702	
F-150 PICKUP		1993-2004			WPD0758x	D702	
F-150 PICKUP		1995-1996			WPD0632x	D632	
F-150 PICKUP		1995-2004		exc lightning	WPD0679x	D679	WPD0711x D711
F-150 PICKUP		1999-2004		5, 7, 8 lug wheels; lightning	WPD0702x	D702	WPD0711x D711
F-150 PICKUP		2004-2008			WPD0908x	D908	
F-150 PICKUP		2005-2008	All		WPD1083x	D1083	WPD1012x D1012
F-150 PICKUP		2008-2009			WPD1392x	D1392	
F-150 PICKUP		2010-2011	All		WPD1414x	D1414	WPD1012x D1012
F-150 PICKUP		2012-2014			WPD1414x	D1414	D1602
F-250		2010-2012			WPD1333x	D1333	WPD1334x D1334
F-250		2012-2014			WPD1680x	D1680	WPD1691x D1691
F-250 PICKUP		1976-1994			WPD0120x	D120	
F-250 PICKUP		1989-1996	All		WPD0450x	D450	
F-250 PICKUP	SUPER CAB	1995-1999	4.9	Rear Drum; 8 Lug	WPD0655x	D655	
F-250 PICKUP		1997-1999		7 lug rear drum and disc brakes	WPD0702x	D702	WPD0711x D711
F-250 PICKUP		1997-1999			WPD0758x	D702	
F-250 SUPER DUTY PICK UP		1999-2004			WPD0756xA	D756A	
F-250 SUPER DUTY PICK UP		1999-2004			WPD0824x	D756	
F-250 SUPER DUTY PICKUP		1999-2004	7.3		WPD0756x	D824	WPD0757x D757
F-250 SUPER DUTY PICKUP		2005-2006			WPD1069x	D1069	
F-250 SUPER DUTY PICKUP		2007-2009		Fr 12/18/06 to 12/12/10	WPD1069x	D1069	WPD1067x D1067
F-250 SUPER DUTY PICKUP		2010-2011		fr 2/22/10 to 7/24/11: 2/22/10-9/15/10	WPD1069x	D1069	WPD1067x D1067
F-250 SUPERDUTY PICKUP		2005-2007		2WD&4WD			WPD1068x D1068
F-350		1999-2004		SRW, DRW	WPD0756x	D756	WPD0757x D757
F-350		2010-2012		SRW	WPD1333x	D1333	WPD1334x D1334
F-350		2010-2012		DRW	WPD1069x	D1069	WPD1334x D1334
F-350		2012-2014		SRW, DRW	WPD1680x	D1680	WPD1691x D1691
F-350 PICKUP		1977-1994			WPD0120x	D120	
F-350 PICKUP		1989-1994	All		WPD0450x	D450	
F-350 PICKUP		1995-1997			WPD0655x	D655	
F-350 SUPER DUTY PICKUP		1999-2004	7.3		WPD0756x	D824	WPD0757x D757
F-350 SUPER DUTY PICKUP		1999-2004			WPD0756xA	D756A	
F-350 SUPER DUTY PICKUP		1999-2004			WPD0824x	D756	
F-350 SUPER DUTY PICKUP		2005-2008		DRW	WPD1069x	D1069	WPD1067x D1067
F-350 SUPER DUTY PICKUP		2005-2008		SRW	WPD1069x	D1069	
F-350 SUPER DUTY PICKUP		2008-2009		DRW: Fr 1/07 to 2/12/10	WPD1069x	D1069	WPD1067x D1067
F-350 SUPER DUTY PICKUP		2010-2011		Except fr 2/22/10 to 7/24/11: 9/16/10-7/24/11	WPD1069x	D1069	WPD1067x D1067
F-350 SUPERDUTY PICKUP		2005-2007		2WD&4WD			WPD1068x D1068
F450		1988-1998			WPD0411x	D411	WPD0411x D411

MAKE/MODEL	SUBMODEL	ENGINE YEARS (LITER)	NOTES	FRONT		REAR	
				VT #	FMSI	VT #	FMSI
FORD (CONTINUED)							
F450		1999-2004		WPD0777x	D777	WPD0777x	D777
F450		2005-2010		WPD1066x	D1066	WPD1066x	D1066
F450		2010-2012	pickup; 8 lug	WPD1069x	D1069	WPD1334x	D1334
F450		2010-2012	cab and chassis; 10 lug	WPD1066x	D1066	WPD1066x	D1066
F450		2013-2015	pickup; 8 lug	WPD1680x	D1680	WPD1691x	D1691
F450		2013-2015	cab and chassis; 10 lug	WPD1066x	D1066	WPD1066x	D1066
F-450 SUPER DUTY PICKUP		1995-1997	7.3	WPD0411x	D411	WPD0411x	D411
F-450 SUPER DUTY PICKUP		1999-2004		WPD0777x	D777	WPD0777x	D777
F-450 SUPER DUTY PICKUP		2005-2011		WPD1066x	D1066	WPD1066x	D1066
F47		1988-1998		WPD0411x	D411	WPD0411x	D411
F47		1999-2004		WPD0777x	D777	WPD0777x	D777
F47	2WD AND 4WD SUPER DUTY	1999-2004		WPD0777x	D777	WPD0777x	D777
F47		2005-2007		WPD1066x	D1066	WPD1066x	D1066
F47	2WD AND 4WD SUPER DUTY	2005-2010		WPD1066x	D1066	WPD1066x	D1066
F47		2008-2010		WPD1328x	D1328	WPD1330x	D1330
F47	2WD AND 4WD SUPER DUTY	2010-2012	pickup; 8 lug	WPD1069x	D1069	WPD1334x	D1334
F47	2WD AND 4WD SUPER DUTY	2010-2012	cab and chassis; 10 lug	WPD1066x	D1066	WPD1066x	D1066
F47	2WD AND 4WD SUPER DUTY	2013-2015	pickup; 8 lug	WPD1680x	D1680	WPD1691x	D1691
F47	2WD AND 4WD SUPER DUTY	2013-2015	cab and chassis; 10 lug	WPD1066x	D1066	WPD1066x	D1066
F53		1988-1998		WPD0411x	D411	WPD0411x	D411
F53	RV MOTOR HOME AND STRIPPED CHASSIS	1988-1998		WPD0411x	D411	WPD0411x	D411
F53		1999-2004		WPD0777x	D777	WPD0777x	D777
F53	RV MOTOR HOME AND STRIPPED CHASSIS	1999-2004		WPD0777x	D777	WPD0777x	D777
F53		2005-2007		WPD1066x	D1066	WPD1066x	D1066
F53	RV MOTOR HOME AND STRIPPED CHASSIS	2005-2007		WPD1066x	D166	WPD0777x	D777
F53		2007-2010	From 11/2007. Except 24K/26K GVW	WPD1066x	D1066	WPD1066x	D1066
F53		2007-2010	From 11/2007. 124K/26K GVW	WPD0786x	D786	WPD0786x	D786
F53	RV MOTOR HOME AND STRIPPED CHASSIS	2011-2015	over 23k lb GVW; DANA 17060S Rear Axle	WPD0786Ax	D786A	WPD0786Ax	D786A
F53	RV MOTOR HOME AND STRIPPED CHASSIS	2011-2015	Under 23k lb GVW; DANA 80, 110, & 130 Rear Axles	WPD1066x	D1066	WPD0777x	D777
F550	2WD AND 4WD SUPER DUTY	1988-1998		WPD0411x	D411	WPD0411x	D411
F550	2WD AND 4WD SUPER DUTY	1999-2004		WPD0777x	D777	WPD0777x	D777
F550	2WD AND 4WD SUPER DUTY	2005-2014		WPD1066x	D1066	WPD1066x	D1066
F-550 SUPER DUTY PICKUP		2001-2004		WPD0777x	D777	WPD0777x	D777
F-550 SUPER DUTY PICKUP		2005-2011		WPD1066x	D1066	WPD1066x	D1066
F59		1988-1998		WPD0411x	D411	WPD0411x	D411
F59		1999-2004		WPD0777x	D777	WPD0777x	D777
F59		2005-2007	To 10/2007.	WPD1066x	D1066	WPD1066x	D1066
F59		2007-2010	From 11/2007. Except 24K/26K GVW	WPD1066x	D1066	WPD1066x	D1066
F59		2007-2010	From 11/2007. 124K/26K GVW	WPD0786x	D786	WPD0786x	D786
F600	CONVENTIONAL	1984-1998	2.50" caliper	WPD0224x	D224		
F600	CONVENTIONAL	1984-1998	2.88" caliper	WPD0236x	D236		
F-600		1983-1999	w/Dayton 2.5 In. 2-Piston Caliper	WPD0224x	D224		
F-600		1983-1999	w/Dayton 2.88 In. 2-Piston Caliper	WPD0236x	D236		
F650	CONVENTIONAL	2009-2014		WPD0769x	D769	WPD0769x	D769
F-650		1999-2002		WPD0769x	D769	WPD0769x	D769
F-650		2000-2003	w/Dayton 2.5 In. 2-Piston Caliper	WPD0224x	D224	WPD0224x	D224
F-650		2000-2003	w/Dayton 4-Piston Caliper	WPD0769x	D769	WPD0769x	D769
F-650		2003-2003		WPD0224x	D224		
F-650		2003-2008	w/2.6 In. 2-Piston Caliper (66mm 4513269)	WPD0786Ax	D786	WPD0786Ax	D786
F-650		2004-2008	w/2.88 In. 2-Piston Caliper (73mm #4153222)	WPD0786x	D786	WPD0786x	D786

Wet Friction

On-HWY Brake Pads

On-HWY Buttons

Park Brakes

Service Brakes

Combo Brakes

Hydraulic Control

Wet Friction

On-HWY Brake Pads

On-HWY Buttons

Park Brakes

Service Brakes

Combo Brakes

Hydraulic Control

WPD0702x
INSERT COMPOUND CODE

CARBON SEMI-METALLIC F1.....K
CARBON SEMI-METALLIC F3.....T



MAKE/MODEL	SUBMODEL	ENGINE YEARS (LITER)	NOTES	FRONT		REAR	
				VT #	FMSI	VT #	FMSI
FORD (CONTINUED)							
F-650		2009-2010		WPD0769x	D769	WPD0769x	D769
F-650 SUPER DUTY		2007-2008		WPD0786x	D786	WPD0786Ax	D786
F-700		1983-1999	w/Dayton 2.5 In. 2-Piston Caliper	WPD0224x	D224		
F-700		1983-1999	w/Dayton 2.88 In. 2-Piston Caliper	WPD0236x	D236		
F-700		1995-1996	6000-7000 Front Axle	WPD0224x	D224		
F-700		1995-1996	8000-12000 Front Axle	WPD0236x	D236		
F750	CONVENTIONAL	2009-2014		WPD0769x	D769	WPD0769x	D769
F-750		2000-2003	w/Dayton 2.5 In. 2-Piston Caliper	WPD0224x	D224	WPD0224x	D224
F-750		2000-2003	w/Dayton 4-Piston Caliper	WPD0769x	D769	WPD0769x	D769
F-750		2001-2003		WPD0224x	D224		
F-750		2003-2008	w/2.6 In. 2-Piston Caliper (66mm 4513269)	WPD0786Ax	D786	WPD0786Ax	D786
F-750		2004-2008	w/2.88 In. 2-Piston Caliper (73mm #4153222)	WPD0786x	D786	WPD0786x	D786
F-750		2009-2010		WPD0769x	D769	WPD0769x	D769
F800		1983-1999	w/Dayton 2.5 In. 2-Piston Caliper	WPD0224x	D224		
F800		1983-1999	w/Dayton 2.88 In. 2-Piston Caliper	WPD0236x	D236		
F800	CONVENTIONAL	1983-1999	2.50" caliper	WPD0224x	D224		
F800	CONVENTIONAL	1983-1999	2.88" caliper	WPD0236x	D236		
F900	CONVENTIONAL	1983-1989		WPD0236x	D236		
F900		1983-1999	w/Dayton 2.5 In. 2-Piston Caliper	WPD0224x	D224		
F900		1983-1999	w/Dayton 2.88 In. 2-Piston Caliper	WPD0236x	D236		
FLEX		2009-2011		WPD1508x	D1376		
FLEX		2012-2014	STANDARD BRAKES, FRONT ROTORS	WPD1508x	D1508		
FOCUS		2005-2007		WPD1044x	D1044		
FOCUS		2012-2014		WPD1044x	D1044		
FT800		1983-1998	w/Dayton 2.5 In. 2-Piston Caliper	WPD0224x	D224		
FT800		1983-1998	w/Dayton 2.88 In. 2-Piston Caliper	WPD0236x	D236		
FT800	CONVENTIONAL	1983-1998	2.50" caliper	WPD0224x	D224		
FT800	CONVENTIONAL	1983-1998	2.88" caliper	WPD0236x	D236		
FT900		1983-1994	w/Dayton 2.88 In. 2-Piston Caliper	WPD0236x	D236		
FT900	CONVENTIONAL	1983-1994		WPD0236x	D236		
L800		1984-1994	w/Dayton 2.5 In. 2-Piston Caliper	WPD0224x	D224		
L800		1984-1994	w/Dayton 2.88 In. 2-Piston Caliper	WPD0236x	D236		
L900		1984-1994	w/Dayton 2.5 In. 2-Piston Caliper	WPD0224x	D224		
L900		1984-1994	w/Dayton 2.88 In. 2-Piston Caliper	WPD0236x	D236		
LCF SERIES		2006-2010		WPD1066x	D1066	WPD1066x	D1066
LCF450		2006-2007		WPD1066x	D1066	WPD1066x	D1066
LCF550		2006-2007		WPD1066x	D1066	WPD1066x	D1066
LN600		1984-1988	w/Dayton 2.5 In. 2-Piston Caliper	WPD0224x	D224		
LN600		1984-1988	w/Dayton 2.88 In. 2-Piston Caliper	WPD0236x	D236		
LN700		1984-1998	w/Dayton 2.5 In. 2-Piston Caliper	WPD0224x	D224		
LN700		1984-1998	w/Dayton 2.88 In. 2-Piston Caliper	WPD0236x	D236		
LN800		1984-1998	w/Dayton 2.5 In. 2-Piston Caliper	WPD0224x	D224		
LN800		1984-1998	w/Dayton 2.88 In. 2-Piston Caliper	WPD0236x	D236		
LN900		1984-1998	w/Dayton 2.5 In. 2-Piston Caliper	WPD0224x	D224		
LN900		1984-1998	w/Dayton 2.88 In. 2-Piston Caliper	WPD0236x	D236		
LNT800		1984-1994	w/Dayton 2.5 In. 2-Piston Caliper	WPD0224x	D224		
LNT800		1984-1994	w/Dayton 2.88 In. 2-Piston Caliper	WPD0236x	D236		
LNT900		1984-1994	w/Dayton 2.5 In. 2-Piston Caliper	WPD0224x	D224		
LNT900		1984-1994	w/Dayton 2.88 In. 2-Piston Caliper	WPD0236x	D236		
LT800		1984-1994	w/Dayton 2.5 In. 2-Piston Caliper	WPD0224x	D224		

MAKE/MODEL	SUBMODEL	ENGINE YEARS (LITER)	NOTES	FRONT		REAR	
				VT #	FMSI	VT #	FMSI
FORD (CONTINUED)							
LT800		1984-1994	w/Dayton 2.88 In. 2-Piston Caliper	WPD0236x	D236		
LT900		1984-1994	w/Dayton 2.5 In. 2-Piston Caliper	WPD0224x	D224		
LT900		1984-1994	w/Dayton 2.88 In. 2-Piston Caliper	WPD0236x	D236		
LTL900		1984-1994	w/Dayton 2.5 In. 2-Piston Caliper	WPD0224x	D224		
LTS800		1984-1994	w/Dayton 2.5 In. 2-Piston Caliper	WPD0224x	D224		
LTS800		1984-1994	w/Dayton 2.88 In. 2-Piston Caliper	WPD0236x	D236		
LTS900		1984-1994	w/Dayton 2.5 In. 2-Piston Caliper	WPD0224x	D224		
LTS900		1984-1994	w/Dayton 2.88 In. 2-Piston Caliper	WPD0236x	D236		
RANGER		1995-2002		WPD0652x	D652		
RANGER		2003-2011		WPD0833x	D833		
TAURUS		2010-2011	All	WPD1158x	D1158	WPD1377x	D1377
TAURUS		2010-2014		WPD1508x	D1508		
TRANSIT		2000-2005		WPD7024x			
TRANSIT		2006-2009	w/Electronic Wear Sensor.	WPD6000xA			
TRANSIT		2006-2009	w/o Electronic Wear Sensor.	WPD6000x			
TRANSIT CONNECT		2010-2013		WPD0970x	D970		
TRANSIT CONNECT		2014-2014		WPD1044x	D1044		
ESCAPE		2004-2008				WPD1055x	D1055
F-150		2004-2004		WPD1011x	D1011		
F-250		1997-1999	UNDER GVW 8500	WPD0966x	D702		
FREIGHTLINER							
C2		2004-2013	73mm caliper	WPD0786x	D786	WPD0786x	D786
FL50		1992-2004	w/Bendix 2.6 In. 2-Piston Calipers.	WPD0184x	D184	WPD0184x	D184
FL50		1992-2004	w/Bendix 2.88 In. 2-Piston Calipers.	WPD0225x	D225	WPD0225x	D225
FL60		1992-2004	w/Bendix 2.6 In. 2-Piston Calipers.	WPD0184x	D184	WPD0184x	D184
FL60		1992-2004	w/Bendix 2.88 In. 2-Piston Calipers.	WPD0225x	D225	WPD0225x	D225
FL70		1992-2004	w/Bendix 2.6 In. 2-Piston Calipers.	WPD0184x	D184	WPD0184x	D184
FL70		1992-2004	w/Bendix 2.88 In. 2-Piston Calipers.	WPD0225x	D225	WPD0225x	D225
FL80		1992-2004	w/Bendix 2.6 In. 2-Piston Calipers.	WPD0184x	D184	WPD0184x	D184
FL80		1992-2004	w/Bendix 2.88 In. 2-Piston Calipers.	WPD0225x	D225	WPD0225x	D225
FRED		2006-2009	Bosch w/2.6" piston (66mm)	WPD0786Ax	D786	WPD0786Ax	D786
FRED		2006-2009	Bosch w/2.87" piston (73mm)	WPD0786x	D786	WPD0786x	D786
FRED CHASSIS	MOTORHOME	2006-2013	66mm caliper	WPD0786Ax	D786A	WPD0786Ax	D786A
FRED CHASSIS	MOTORHOME	2006-2013	73 mm caliper	WPD0786x	D786	WPD0786x	D786
FS65		1996-1998	2.60" caliper	WPD0184x	D184	WPD0184x	D184
FS65		1996-1998	2.88" caliper	WPD0225x	D225	WPD0225x	D225
FS65		1999-2007	66mm caliper	WPD0786Ax	D786A	WPD0786Ax	D786A
FS65		1999-2007	73mm caliper	WPD0786x	D786	WPD0786x	D786
FW700		1996-1998	2.60" caliper	WPD0184x	D184	WPD0184x	D184
FW700		1996-1998	2.88" caliper	WPD0225x	D225	WPD0225x	D225
FW700		1999-2007	66mm caliper	WPD0786Ax	D786A	WPD0786Ax	D786A
FW700		1999-2007	73mm caliper	WPD0786x	D786	WPD0786x	D786
M2 100		2004-2006	w/Bosch 2.6 In. Pistons (66mm)	WPD0786Ax	D786	WPD0786Ax	D786
M2 100		2004-2006	w/Bosch 2.87 In. Pistons (73mm)	WPD0786x	D786	WPD0786x	D786
M2 106	BUSINESS CLASS	2004-2008	w/Bosch 2.6 In. Pistons (66mm)	WPD0786Ax	D786	WPD0786Ax	D786
M2 106	BUSINESS CLASS	2004-2008	w/Bosch 2.87 In. Pistons (73mm)	WPD0786x	D786	WPD0786x	D786
MB50		1992-1996	Bosch w/2.6" piston (66mm)	WPD0786Ax	D786	WPD0786Ax	D786
MB50		1992-1996	Bosch w/2.87" piston (73mm)	WPD0786x	D786	WPD0786x	D786
MB50		1992-1998	w/Bendix 2.6 In. 2-Piston Calipers.	WPD0184x	D184	WPD0184x	D184
MB50		1992-1998	w/Bendix 2.88 In. 2-Piston Calipers.	WPD0225x	D225	WPD0225x	D225

Wet Friction

On-HWY Brake Pads

On-HWY Buttons

Park Brakes

Service Brakes

Combo Brakes

Hydraulic Control

Wet Friction

On-HWY Brake Pads

On-HWY Buttons

Park Brakes

Service Brakes

Combo Brakes

Hydraulic Control

WPD0702x
INSERT COMPOUND CODE

CARBON SEMI-METALLIC F1.....K
CARBON SEMI-METALLIC F3.....T



MAKE/MODEL	SUBMODEL	ENGINE YEARS (LITER)	NOTES	FRONT		REAR	
				VT #	FMSI	VT #	FMSI
FREIGHTLINER (CONTINUED)							
MB55		1992-2003	2.60" caliper	WPD0184x	D184	WPD0184x	D184
MB55		1992-2003	2.88" caliper	WPD0225x	D225	WPD0225x	D225
MB55		2010-2013	66mm caliper	WPD0786Ax	D786A	WPD0786Ax	D786
MB55		2010-2013	73mm caliper	WPD0786x	D786	WPD0786x	D786
MB60		1992-1996	Bosch w/2.6" piston (66mm)	WPD0786Ax	D786	WPD0786Ax	D786
MB60		1992-1996	Bosch w/2.87" piston (73mm)	WPD0786x	D786	WPD0786x	D786
MB60		1992-1998	w/Bendix 2.6 In. 2-Piston Calipers.	WPD0184x	D184	WPD0184x	D184
MB60		1992-1998	w/Bendix 2.88 In. 2-Piston Calipers.	WPD0225x	D225	WPD0225x	D225
MB70		1992-1996	Bosch w/2.6" piston (66mm)	WPD0786Ax	D786	WPD0786Ax	D786
MB70		1992-1996	Bosch w/2.87" piston (73mm)	WPD0786x	D786	WPD0786x	D786
MB70		1992-1998	w/Bendix 2.6 In. 2-Piston Calipers.	WPD0184x	D184	WPD0184x	D184
MB70		1992-1998	w/Bendix 2.88 In. 2-Piston Calipers.	WPD0225x	D225	WPD0225x	D225
MC		2006-2010	Bosch w/2.6" piston (66mm)	WPD0786Ax	D786	WPD0786Ax	D786
MC		2006-2010	Bosch w/2.87" piston (73mm)	WPD0786x	D786	WPD0786x	D786
MC		2006-2012	66mm caliper	WPD0786Ax	D786A	WPD0786Ax	D786A
MC		2006-2012	73mm caliper	WPD0786x	D786	WPD0786x	D786
MC L		2006-2010	Bosch w/2.6" piston (66mm)	WPD0786Ax	D786	WPD0786Ax	D786
MC L		2006-2010	Bosch w/2.87" piston (73mm)	WPD0786x	D786	WPD0786x	D786
MC-L SERIES	MOTORHOME CHASSIS	2006-2012	66mm caliper	WPD0786Ax	D786A	WPD0786Ax	D786A
MC-L SERIES	MOTORHOME CHASSIS	2006-2012	73mm caliper	WPD0786x	D786	WPD0786x	D786
MOTORHOME		2006-2010	Bosch w/2.6" piston (66mm)	WPD0786Ax	D786	WPD0786Ax	D786
MOTORHOME		2006-2010	Bosch w/2.87" piston (73mm)	WPD0786x	D786	WPD0786x	D786
MT10		1998-2003	2 piston, 2.60" Caliper	WPD0184x	D184	WPD0184x	D184
MT10		1998-2003	2 piston, 2.88" Caliper	WPD0225x	D225	WPD0225x	D225
MT10		2004-2009	Bosch w/2.6" piston (66mm)	WPD0786Ax	D786	WPD0786Ax	D786
MT10		2004-2009	Bosch w/2.87" piston (73mm)	WPD0786x	D786	WPD0786x	D786
MT35		1997-2005	single piston- Bendix caliper	WPD0184x	D184	WPD0184x	D184
MT35		1997-2005	2 piston- Dayton caliper	WPD0225x	D225	WPD0225x	D225
MT35		1998-2003	2 piston, 2.60" Caliper	WPD0184x	D184	WPD0184x	D184
MT35		1998-2003	2 piston, 2.88" Caliper	WPD0225x	D225	WPD0225x	D225
MT35		2004-2009	Bosch w/2.6" piston (66mm)	WPD0786Ax	D786	WPD0786Ax	D786
MT35		2004-2009	Bosch w/2.87" piston (73mm)	WPD0786x	D786	WPD0786x	D786
MT35		2006-2013	73mm caliper	WPD0786x	D786	WPD0786x	D786
MT45		1997-2005	single piston- Bendix caliper	WPD0184x	D184	WPD0184x	D184
MT45		1997-2005	2 piston- Dayton caliper	WPD0225x	D225	WPD0225x	D225
MT45	STEP VAN	2004-2008	w/Bosch 2.6 In. Pistons (66mm)	WPD0786Ax	D786	WPD0786Ax	D786
MT45	STEP VAN	2004-2008	w/Bosch 2.87 In. Pistons (73mm)	WPD0786x	D786	WPD0786x	D786
MT45		2006-2013	73mm caliper	WPD0786x	D186	WPD0786x	D786
MT55		1997-2003	2.60" caliper	WPD0184x	D184	WPD0184x	D184
MT55		1997-2003	2.88" caliper	WPD0225x	D225	WPD0225x	D225
MT55	STEP VAN	2004-2008	w/Bosch 2.6 In. Pistons (66mm)	WPD0786Ax	D786	WPD0786Ax	D786
MT55	STEP VAN	2004-2008	w/Bosch 2.87 In. Pistons (73mm)	WPD0786x	D786	WPD0786x	D786
MT55		2004-2012	66mm caliper	WPD0786Ax	D786A	WPD0786Ax	D786A
MT55		2004-2012	73mm caliper	WPD0786x	D786	WPD0786x	D786
MT-E		1997-2003	2.60" caliper	WPD0184x	D184	WPD0184x	D184
MT-E		1997-2003	2.88" caliper	WPD0225x	D225	WPD0225x	D225
MT-E		2004-2012	73mm caliper	WPD0786x	D786	WPD0786x	D786
MT-E		2004-2013	66mm caliper	WPD0786Ax	D786A	WPD0786Ax	D786A
S2	CUTAWAY CHASSIS	2010-2013	73mm caliper	WPD0786Ax	D786A	WPD0786Ax	D786A
SPRINTER	2500	2002-2006	For Clip Style Sensor; 285 mm front disc, 272 mm Rear disc	WPD1136x	D1136	WPD1136x	D1136

MAKE/MODEL	SUBMODEL	ENGINE YEARS (LITER)	NOTES	FRONT		REAR	
				VT #	FMSI	VT #	FMSI
FREIGHTLINER (CONTINUED)							
SPRINTER	3500	2002-2006	For Clip Style Sensor; 285 mm front disc, 285 mm Rear disc	WPD1136x	D1136	WPD1136x	D1136
SPRINTER	2500	2002-2006	For Pin Style Sensor; 285 mm front disc; 272 mm rear disc	WPD0949x	D949	WPD0949x	D949
SPRINTER	3500	2002-2006	For Pin Style Sensor; 285 mm front disc; 285 mm rear disc	WPD0949x	D949	WPD0949x	D949
SPRINTER	3500 - SRW	2007-2011	SRW	WPD1268x	D1268	WPD1317x	D1317
SPRINTER	3500 - DRW	2007-2011	DRW	WPD1268x	D1268	WPD1318x	D1318
SPRINTER	2500	2007-2011		WPD1316x	D1316	WPD1317x	D1317
SPRINTER 2500		2002-2006	Pin Style Sensor- Bosch/Wabco Caliper	WPD0949x	D949		
SPRINTER 2500		2002-2006	w/o sensor- Bosch/Wabco caliper	WPD0949x	D949		
SPRINTER 2500		2002-2006	w/o sensor- Bosch/Wabco caliper	WPD1136x	D1136		
SPRINTER 2500		2002-2006	Bosch Rear caliper- with sensor			WPD0928x	D928
SPRINTER 2500		2002-2006	Bosch Rear caliper- w/o sensor			WPD0928x	D928
SPRINTER 2500		2002-2006	ATE rear caliper - pin style sensor			WPD1006x	D1006
SPRINTER 2500		2002-2006	ATE rear caliper- w/o sensor			WPD1006x	D1006
SPRINTER 2500		2007-2014	with electronic wear sensor	WPD1316x	D1316	WPD1317x	D1317
SPRINTER 2500		2007-2014	w/o Electronic Wear Sensor.	WPD1316x	D1316	WPD1317x	D1317
SPRINTER 3500		2002-2005	Pin Style Sensor- Bosch/Wabco Caliper	WPD0949x	D949	WPD0949x	D949
SPRINTER 3500		2002-2005	w/o sensor- Bosch/Wabco caliper	WPD0949x	D949	WPD0949x	D949
SPRINTER 3500		2002-2005	w/o sensor- Bosch/Wabco caliper	WPD1006x	D1006	WPD1006x	D1006
SPRINTER 3500		2002-2005	Bosch Rear caliper- with sensor			WPD0928x	D928
SPRINTER 3500		2002-2005	Bosch Rear caliper- w/o sensor			WPD0928x	D928
SPRINTER 3500		2006	Pin Style Sensor- Bosch/Wabco Caliper	WPD0949x	D949	WPD0949x	D949
SPRINTER 3500		2006	w/o sensor- Bosch/Wabco caliper	WPD0949x	D949	WPD0949x	D949
SPRINTER 3500		2006	w/o sensor- Bosch/Wabco caliper	WPD1136x	D1136	WPD1136x	D1136
SPRINTER 3500		2007-2014	with electronic wear sensor- SRW	WPD1268x	D1268	WPD1317x	D1317
SPRINTER 3500		2007-2014	w/o electronic wear sensor- SRW	WPD1268x	D1268	WPD1317x	D1317
SPRINTER 3500		2007-2014	with electronic wear sensor- DRW	WPD1268x	D1268	WPD1318x	D1318
SPRINTER 3500		2007-2014	w/o electronic wear sensor - DRW	WPD1268x	D1268	WPD1318x	D1318
W700		1996-1998	w/Bendix 3.38/2.60 In. Piston Caliper.	WPD0184x	D184	WPD0184x	D184
W700		1999-2003	w/Bosch 2.6 In. Pistons (66mm)	WPD0786Ax	D786	WPD0786Ax	D786
W700		1999-2003	w/Bosch 2.87 In. Pistons (73mm)	WPD0786x	D786	WPD0786x	D786
GMC							
ACADIA		2007-2013		WPD1169x	D1169	WPD0883x	D883
ACADIA		2007-2014				WPD0883x	D883
B6P042 SCHOOL BUS		1979-1991	w/Dayton Calipers	WPD0224x	D224	WPD0224x	D224
B6P042 SCHOOL BUS		1979-1991	w/Bendix Calipers	WPD0225x	D225	WPD0225x	D225
B7T SCHOOL BUS		1993-2002	w/Dayton Calipers	WPD0224x	D224	WPD0224x	D224
B7T SCHOOL BUS		1993-2002	w/Bendix Calipers	WPD0225x	D225	WPD0225x	D225
B7T042		1995-1997		WPD0224x	D224		
C1500 PICKUP		1995-1999		WPD0369x	D369		
C1500 SUBURBAN		1995-1999	11' rear drum	WPD0369x	D369		
C2500 PICKUP		1995-1998	7200 lbs. GVWR; 11' rear drum	WPD0369x	D369		
C2500 PICKUP		1995-1998	8600 lbs. GVWR; 13' rear drum	WPD0370x	D370		
C2500 PICKUP		1999-2000		WPD0370x	D370		
C2500 SUBURBAN		1995-1999		WPD0370x	D370		
C3500 PICKUP	SIERRA	1995-1995	5.7 Disc	WPD0149x	D149	WPD0149x	D149
C3500 PICKUP	SIERRA	1995-2000	5.7 DRW; extended cab	WPD0459x	D459		
C3500 PICKUP		1997-2000	SRW; exc extended cab	WPD0370x	D370		
C4	DIHPB	2003-2005		WPD1010x	D1010		
C4		2003-2005		WPD1010x	D1010	WPD1010x	D1010
C4500		1995-1996		WPD0225x	D225	WPD0225x	D225

Wet Friction

On-HWY Brake Pads

On-HWY Buttons

Park Brakes

Service Brakes

Combo Brakes

Hydraulic Control

Wet Friction

On-HWY Brake Pads

On-HWY Buttons

Park Brakes

Service Brakes

Combo Brakes

Hydraulic Control

ON-HIGHWAY APPLICATIONS

ON-HIGHWAY APPLICATIONS

WPD0702x
INSERT COMPOUND CODE

CARBON SEMI-METALLIC F1.....K
CARBON SEMI-METALLIC F3.....T



MAKE/MODEL	SUBMODEL	ENGINE YEARS (LITER)	NOTES	FRONT		REAR	
				VT #	FMSI	VT #	FMSI
GMC (CONTINUED)							
C4500	TOPKICK	2003-2010	w/6.25mm Front Axle	WPD1010x	D1010	WPD1010x	D1010
C4500	TOPKICK	2003-2010	w/7.8mm Front Axle	WPD0769x	D769	WPD0769x	D769
C5		2003-2004		WPD1010x	D1010	WPD1010x	D1010
C5500		1995-1996		WPD0225x	D225	WPD0225x	D225
C5500	TOPKICK	2003-2010	w/6.25mm Front Axle	WPD1010x	D1010	WPD1010x	D1010
C5500	TOPKICK	2003-2010	w/7.8mm Front Axle	WPD0769x	D769	WPD0769x	D769
C5D042		1988-1990		WPD0184x	D184	WPD0224x	D224
C5D064		1988-1990		WPD0184x	D184	WPD0224x	D224
C5H042		1990-2002	w/Dayton Calipers	WPD0224x	D224	WPD0224x	D224
C6		2003-2004		WPD1010x	D1010		
C6500		1990-1994	w/Dayton Calipers	WPD0224x	D224	WPD0224x	D224
C6500		1990-1994	w/Bendix Calipers	WPD0225x	D225	WPD0225x	D225
C6500		1995-2002	w/Dayton Calipers. Rear 4-Piston Calipers	WPD0224x	D224	WPD0769x	D769
C6500	TOPKICK	2003-2010		WPD0769x	D769	WPD0769x	D769
C6D042		1988-1990		WPD0224x	D224	WPD0224x	D224
C6D042		1988-1990	w/Bendix Single Piston Calipers	WPD0184x	D184	WPD0184x	D184
C6D042		1988-1990	w/Bendix 2-Piston Calipers	WPD0225x	D225	WPD0225x	D225
C6H042		1990-1994	w/Dayton Calipers	WPD0224x	D224	WPD0224x	D224
C6H042		1990-2002	w/Bendix Calipers	WPD0225x	D225	WPD0225x	D225
C6H042		1995-2002	w/Dayton Calipers. Rear 4-Piston Calipers	WPD0224x	D224	WPD0769x	D769
C6H042		2003-2007		WPD0769x	D769	WPD0769x	D769
C6H042 KODIAK		1995-1997	Front Dayton Calipers. Rear 2 Piston Calipers	WPD0224x	D224	WPD0224x	D224
C6H042 KODIAK		1995-1997	Front Dayton Calipers. Rear 4 Piston Calipers	WPD0224x	D224	WPD0769x	D769
C7500		1990-1994	w/Dayton Calipers	WPD0224x	D224	WPD0224x	D224
C7500		1990-2002	w/Bendix Calipers	WPD0225x	D225	WPD0225x	D225
C7500		1995-2002	w/Dayton Calipers. Rear 4-Piston Calipers	WPD0224x	D224	WPD0769x	D769
C7500	TOPKICK	2003-2010		WPD0769x	D769	WPD0769x	D769
C7D042		1983-1990	w/Dayton Calipers	WPD0224x	D224	WPD0225x	D225
C7D042		1983-1990	w/Bendix 2-Piston Calipers	WPD0225x	D225	WPD0225x	D225
C7D042		1988-1990	w/Bendix Single Piston Calipers	WPD0184x	D184	WPD0184x	D184
C7D044		1983-1987	bendix calipers- 2 piston	WPD0225x	D225	WPD0225x	D225
C7D044		1983-1987	dayton calipers	WPD0224x	D224	WPD0224x	D224
C7D044		1988-1990	bendix calipers - single piston	WPD0184x	D184	WPD0184x	D184
C7D044		1988-1990	bendix calipers- 2 piston	WPD0225x	D225	WPD0225x	D225
C7D044		1998-1990	dayton calipers	WPD0224x	D224	WPD0224x	D224
C7D064		1983-1987	w/Dayton Calipers	WPD0224x	D224	WPD0225x	D225
C7D064		1983-1990	w/Bendix 2-Piston Calipers	WPD0225x	D225	WPD0225x	D225
C7D064		1988-1990	w/Dayton Calipers	WPD0224x	D224	WPD0224x	D224
C7H042		1990-1994	w/Dayton Calipers	WPD0224x	D224	WPD0224x	D224
C7H042		1990-2002	w/Bendix Calipers	WPD0225x	D225	WPD0225x	D225
C7H042		1995-2002	w/Dayton Calipers. Rear 4-Piston Calipers	WPD0224x	D224	WPD0769x	D769
C7H042		2003-2007		WPD0769x	D769	WPD0769x	D769
C7H042 KODIAK		1995-1997	Front Dayton Calipers. Rear 2 Piston Calipers	WPD0224x	D224	WPD0224x	D224
C7H042 KODIAK		1995-1997	Front Dayton Calipers. Rear 4 Piston Calipers	WPD0224x	D224	WPD0769x	D769
C7H064		1990-1994	w/Dayton Calipers	WPD0224x	D224	WPD0224x	D224
C7H064		1990-2002	w/Bendix Calipers	WPD0225x	D225	WPD0225x	D225
C7H064		1995-2002	w/Dayton Calipers. Rear 2-Piston Calipers	WPD0224x	D224	WPD0224x	D224
C7H064		1995-2002	w/Dayton Calipers. Rear 4-Piston Calipers	WPD0224x	D224	WPD0769x	D769
C7H064		2003-2007		WPD0769x	D769	WPD0769x	D769
CANYON		2004-2008		WPD1039x	D1039		

MAKE/MODEL	SUBMODEL	ENGINE YEARS (LITER)	NOTES	FRONT		REAR	
				VT #	FMSI	VT #	FMSI
GMC (CONTINUED)							
CANYON		2009-2012		WPD1169x	D1169		
ENVOY		2002-2009				WPD0883x	D883
F6B042		1997-1997		WPD0224x	D224	WPD0224x	D224
F7B042		1997-1997		WPD0224x	D224	WPD0224x	D224
G15/G1500 VAN		1995-1995		WPD0052x	D52		
G25/G2500 VAN		1995-1995		WPD0052x	D52		
G35/G3500 VAN		1995-1995	5.7 w/13 in. Drums	WPD0149x	D149		
G35/G3500 VAN		1995-1995	6.5 w/13 in. Drums	WPD0149x	D149		
G35/G3500 VAN		1995-1995	7.4 w/13 in. Drums	WPD0149x	D149		
G35/G3500 VAN		1995-1995	SRW; 13"x2.5" Rear shoe	WPD0153x	D614		
G3500 VAN		1996-1996		WPD0153x	D614		
G4500	COM'L CUTAWAY CHASSIS	2009-2014		WPD0784x	D784	WPD1411x	D1411
JIMMY		1995-1999	4.3	WPD0154x	D154		
JIMMY	ENVOY	1998-1999	4.3	WPD0154x	D154		
K1500 PICKUP	SIERRA	1995-1996	6.5	WPD0369x	D369		
K1500 PICKUP		1995-1998		WPD0369x	D369		
K1500 SUBURBAN		1995-1999	11' rear drum; 6 lug	WPD0369x	D369		
K1500 SUBURBAN		1995-1999		WPD0370x	D370		
K2500 PICKUP		1995-1998	w/11 in. Drums; 6 lug	WPD0369x	D369		
K2500 PICKUP		1995-2003	w/13 in. Drums; 8 lug	WPD0370x	D370		
K2500 PICKUP		2000-2000		WPD0370x	D370		
K2500 SUBURBAN		1995-1999		WPD0370x	D370		
K3500 PICKUP	SIERRA	1995-1997	5.7 Single Rear Wheels	WPD0370x	D370		
K3500 PICKUP		1995-2000	Single Rear Wheels	WPD0370x	D370		
K3500 PICKUP		1995-2000	Dual Rear Wheels	WPD0459x	D459		
P4T042		1988-1996	w/Bendix Calipers	WPD0184x	D184	WPD0184x	D184
P4T042		1988-1996	w/Dayton Calipers	WPD0224x	D224	WPD0224x	D224
P6S		1992-1996	w/Dayton Calipers	WPD0224x	D224	WPD0224x	D224
P6S		1992-1996	w/Bendix Calipers	WPD0225x	D225	WPD0225x	D225
P6S042		1995-1996		WPD0224x	D224		
P6T042		1983-1987	w/Dayton Calipers	WPD0224x	D224		
P6T042		1983-1987	w/Bendix Calipers	WPD0225x	D225		
P6T042		1988-1990	w/Bendix Single Piston Calipers	WPD0184x	D184	WPD0184x	D184
P6T042		1988-1990	w/Dayton Calipers	WPD0224x	D224	WPD0224x	D224
P6T042		1988-1990	w/Bendix 2-Piston Calipers	WPD0225x	D225	WPD0225x	D225
S7T042 FORWARD CONTROL		1983-1996		WPD0225x	D225	WPD0225x	D225
SAFARI		1995-2002	AWD	WPD0369x	D369		
SAFARI		1995-2002	4.3 RWD	WPD0052x	D52		
SAFARI		2003-2005	4.3	WPD0785x	D785	WPD0792x	D792
SAVANA 1500		1996-2002		WPD0369x	D369		
SAVANA 1500		2003-2005		WPD0785x	D785	WPD0974x	D974
SAVANA 1500		2008-2008		WPD0785x	D785	WPD0974x	D974
SAVANA 2500		1999-2002	6 lug	WPD0369x	D369		
SAVANA 2500		1999-2002	8 lug	WPD0370x	D370		
SAVANA 2500		2003-2005	8600 lbs. GVWR; 8 lug	WPD0784x	D784	WPD0974x	D974
SAVANA 2500		2003-2005	7200 lbs. GVWR; 6 lug	WPD0785x	D785	WPD0974x	D974
SAVANA 2500		2006-2014		WPD0784x	D784	WPD0974x	D974
SAVANA 3500		1996-2000	7.4 SRW	WPD0370x	D370		
SAVANA 3500		1999-2001	SRW	WPD0370x	D370		
SAVANA 3500		1999-2001	DRW	WPD0459x	D459		

Wet Friction
On-HWY Brake Pads
On-HWY Buttons
Park Brakes
Service Brakes
Combo Brakes
Hydraulic Control

Wet Friction
On-HWY Brake Pads
On-HWY Buttons
Park Brakes
Service Brakes
Combo Brakes
Hydraulic Control

FMSI CROSS REFERENCE

FMSI CROSS REFERENCE

FMSI NUMBER	VELVETOUCH NUMBER
D0120	WPD0120x
D0122	WPD0052x
D0138	WPD0154x
D0149	WPD0149x
D0153	WPD0153x
D0154	WPD0154x
D0184	WPD0184x
D0199	WPD0199x
D0202	WPD0154x
D0205	WPD0387x
D0224	WPD0224x
D0225	WPD0225x
D0236	WPD0236x
D0249	WPD0387x
D0269	WPD0269x
D0313	WPD0052x
D0333	WPD0333x
D0352	WPD0352x
D0369	WPD0369x
D0370	WPD0370x
D0376	WPD0376x
D0380	WPD0184x
D0387	WPD0387x
D0392	WPD0153x
D0411	WPD0411x
D0415	WPD0782x
D0436	WPD0436x
D0438	WPD0438x
D0450	WPD0450x
D0459	WPD0459x
D0477	WPD0477x
D0499	WPD0499x
D0505	WPD0505x
D0506	WPD0506x
D0508	WPD0508x
D0512	WPD0782x
D0543	WPD0149x
D0546	WPD0546x
D0559	WPD0782x
D0591	WPD0591x
D0607	WPD0387x
D0614	WPD0153x
D0614	WPD0614x
D0614A	WPD0614Ax
D0626	WPD0632x
D0632	WPD0632x
D0641	WPD0782x
D0642	WPD0642x
D0642	WPD0642x
D0652	WPD0652x
D0654	WPD0387x
D0655	WPD0655x
D0655	WPD0655x
D0658	WPD0782x
D0667	WPD0667x
D0673	WPD0506x
D0679	WPD0679x
D0698	WPD0508x

FMSI NUMBER	VELVETOUCH NUMBER
D0702	WPD0702x
D0702	WPD0897x
D0702	WPD0966x
D0711	WPD0711x
D0712	WPD0477x
D0714	WPD0508x
D0717	WPD0184x
D0726	WPD0726x
D0729	WPD0729x
D0748	WPD0748x
D0754	WPD0508x
D0756	WPD0756x
D0756	WPD0824x
D0756A	WPD0756xA
D0757	WPD0757x
D0758	WPD0758x
D0759	WPD0782x
D0768	WPD0768x
D0769	WPD0769x
D0777	WPD0777x
D0782	WPD0782x
D0784	WPD0784x
D0785	WPD0785x
D0786	WPD0786Ax
D0786	WPD0786x
D0789	WPD0369x
D0792	WPD0792x
D0802	WPD0802x
D0814	WPD0508x
D0820	WPD0820x
D0821	WPD0821x
D0824	WPD0756x
D0825	WPD0825x
D0827	WPD0827x
D0833	WPD0833x
D0834	WPD0834x
D0844	WPD0856x
D0845	WPD0370x
D0856	WPD0856x
D0857	WPD0857x
D0858	WPD0858x
D0859	WPD0821x
D0879	WPD0711x
D0883	WPD0883x
D0898	WPD0898x
D0908	WPD0908x
D0909	WPD0909x
D0913	WPD0833x
D0928	WPD0928x
D0928A	WPD0928xA
D0931	WPD0931x
D0932	WPD0932x
D0935	WPD0935x
D0949	WPD0949x
D0949A	WPD0949xA
D0965	WPD0965x
D0967	WPD0967x
D0970	WPD0970x

FMSI NUMBER	VELVETOUCH NUMBER
D0974	WPD0974x
D0975	WPD0975x
D0989	WPD0989x
D0997	WPD0931x
D1006	WPD1006x
D1006A	WPD1006xA
D1010	WPD1010x
D1011	WPD1011x
D1012	WPD1012x
D1027	WPD1027x
D1028	WPD1160x
D1033	WPD1033x
D1035	WPD1035x
D1036	WPD1036x
D1039	WPD1039x
D1044	WPD1044x
D1047	WPD1047x
D1055	WPD1055x
D1057	WPD1057Ax
D1057	WPD1057x
D1058	WPD1058x
D1062	WPD1062x
D1066	WPD1066x
D1067	WPD1067x
D1068	WPD1068x
D1068	WPD1068x
D1069	WPD1069x
D1076	WPD1076x
D1077	WPD0702x
D1083	WPD1083x
D1084	WPD1084x
D1092	WPD1092x
D1096	WPD0702x
D1109	WPD1109x
D1136	WPD1136x
D1158	WPD1158x
D1159	WPD1159x
D1160	WPD1160x
D1169	WPD1169x
D1184	WPD1184x
D1194	WPD1194x
D1212	WPD1212x
D1222	WPD1293x
D1230	WPD1044x
D1265	WPD1265x
D1268	WPD1268x
D1268A	WPD1268xA
D1278	WPD1278x
D1279	WPD1279x
D1293	WPD1293x
D1316	WPD1316x
D1316A	WPD1316xA
D1317	WPD1317x
D1317A	WPD1317xA
D1318	WPD1318x
D1318A	WPD1318xA
D1326	WPD1326x
D1327	WPD1327x

FMSI NUMBER	VELVETOUCH NUMBER
D1328	WPD1328x
D1329	WPD1329x
D1330	WPD1330x
D1333	WPD1333x
D1334	WPD1334x
D1335	WPD1335x
D1363	WPD1092x
D1363	WPD1363x
D1367	WPD1092x
D1376	WPD1508x
D1377	WPD1377x
D1380	WPD1092x
D1392	WPD1392x
D1399	WPD1399x
D1400	WPD1400x
D1411	WPD1411x
D1414	WPD1414x
D1455	WPD1455x
D1490	WPD1490x
D1498	WPD1498x
D1507	WPD0883x
D1508	WPD1508x
D1540	WPD1540x
D1563	WPD1044x
D1565	WPD1565x
D1565A	WPD1565xA
D1629	WPD1455x
D1680	WPD1680x
D1691	WPD1691x
D7027	WPD7027x
	WPD6000x
	WPD6000xA
	WPD6001x
	WPD7024x
	WPD7026x

Wet Friction

On-HWY Brake Pads

On-HWY Buttons

Park Brakes

Service Brakes

Combo Brakes

Hydraulic Control

Wet Friction

On-HWY Brake Pads

On-HWY Buttons

Park Brakes

Service Brakes

Combo Brakes

Hydraulic Control

Wet Friction
On-HWY Brake Pads
On-HWY Buttons
Park Brakes
Service Brakes
Combo Brakes
Hydraulic Control

Pad thickness in inches (and millimeters) to include core and friction material

Carry-over column for industry reference numbers and pad thickness

VelveTouch Part Number

VelveTouch Compound Codes

Industry Reference Numbers (FMSI)

Length in inches (and millimeters)

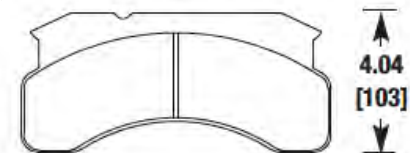
Original equipment and/or aftermarket caliper manufacturer

Width in inches (and millimeters)

PART NUMBER

T FMSI D236 1.000 [25]

8.99 [228]



FORD MEDIUM DUTY

COMPOUND CODES

CARBON SEMI-METALLIC F1.....K
CARBON SEMI-METALLIC F3.....T

CODE BREAKDOWN

WPD0702x

INSERT COMPOUND CODE

WPD 0702 K

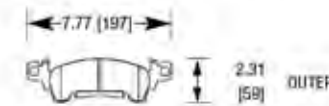
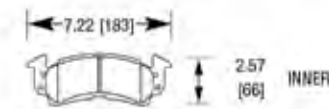
VELVETOUCH
BRAKE PAD

VELVETOUCH
PAD SHAPE

COMPOUND
LETTER CODE

WPD0052

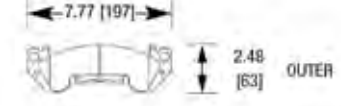
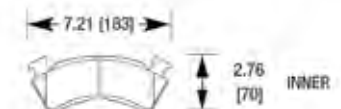
K, T FMSI D52
FMSI D122
FMSI D313 .590 [15]



GM INTERMEDIATE

WPD0153

K FMSI D153
FMSI D392
FMSI D614 .595 [15]

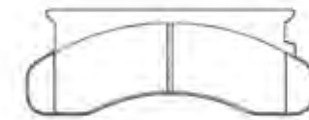


CHEVROLET IMPALA. CAPRICE. POLICE & HD

WPD0120

K FMSI D120 .655 [17]

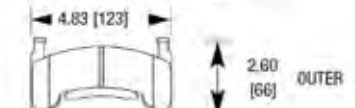
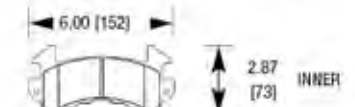
7.50 [191]



FORD TRUCK

WPD0154

K, T FMSI D138
FMSI D154
FMSI D202 .594 [15]



GM METRIC

WPD0149

K, T FMSI D601
FMSI D656 .689 [18]

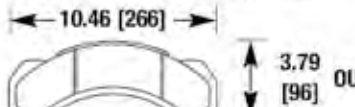
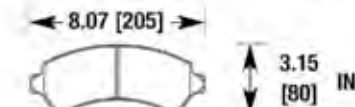
4.87 [124]



FORD. LINCOLN. MERCURY

WPD0184

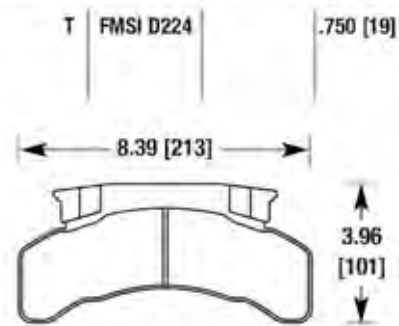
T FMSI D184
FMSI D380
FMSI D717 .860 [22]



CHEVY/GMC TRUCK,
FREIGHTLINER. INTERNATIONAL

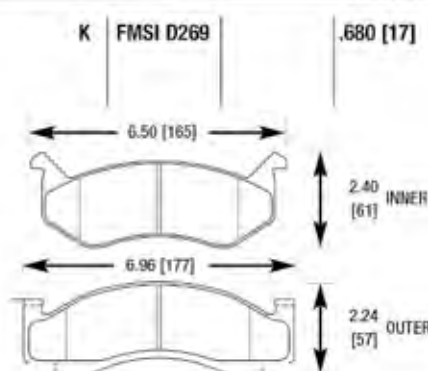
Wet Friction
On-HWY Brake Pads
On-HWY Buttons
Park Brakes
Service Brakes
Combo Brakes
Hydraulic Control

WPD0224



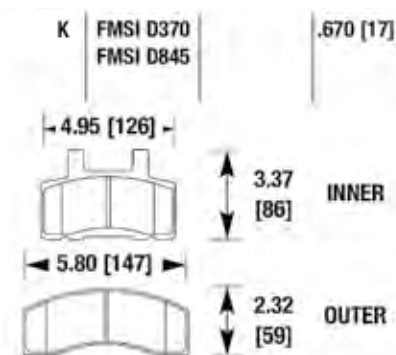
CHEVY/GMC TRUCK, FORD TRUCK

WPD0269



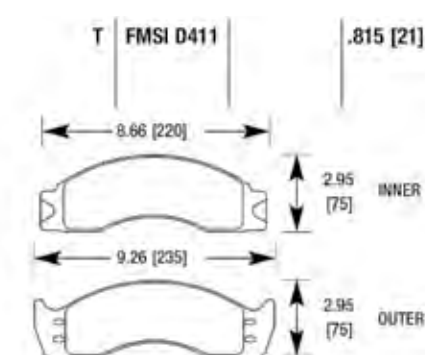
DODGE TRUCK

WPD0370



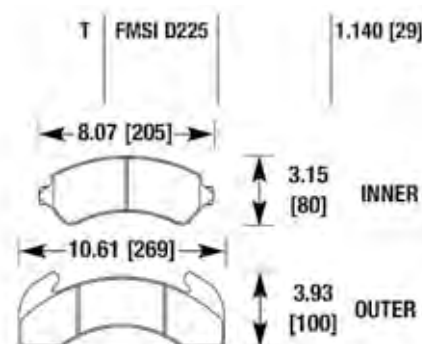
CHEVY/GMC TRUCK, DODGE TRUCK

WPD0411



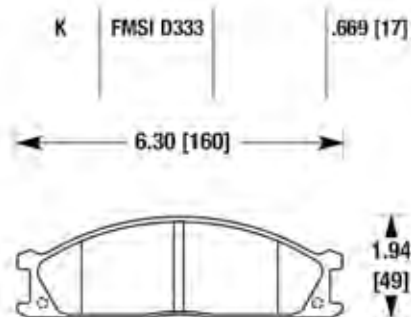
FORD TRUCK

WPD0225



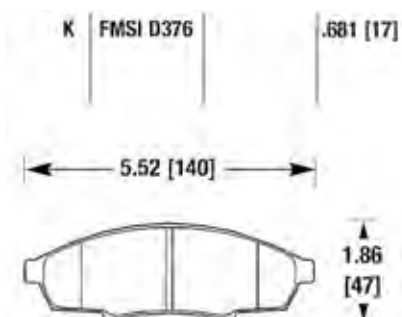
CHEVY/GMC TRUCK, FREIGHTLINER, INTERNATIONAL

WPD0333



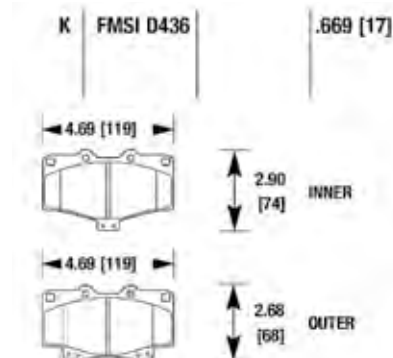
NISSAN TRUCK, SUBARU

WPD0376



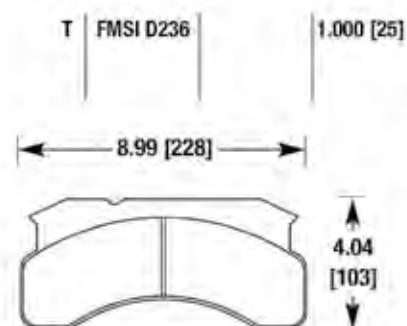
BUICK, CHEVY, OLDS, PONTIAC

WPD0436



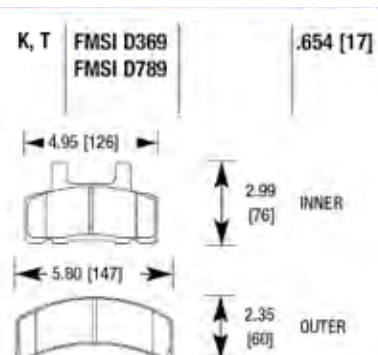
TOYOTA

WPD0236



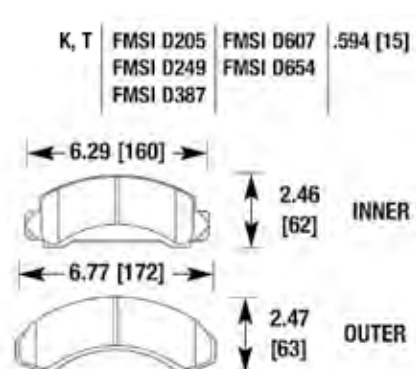
FORD MEDIUM DUTY

WPD0369



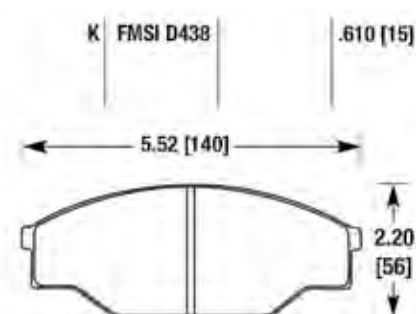
CADILLAC, CHEVY/GMC TRUCK, DODGE TRUCK

WPD0387



FORD RANGER

WPD0438



TOYOTA PICKUP

Wet Friction

On-HWY Brake Pads

On-HWY Buttons

Park Brakes

Service Brakes

Combo Brakes

Hydraulic Control

Wet Friction

On-HWY Brake Pads

On-HWY Buttons

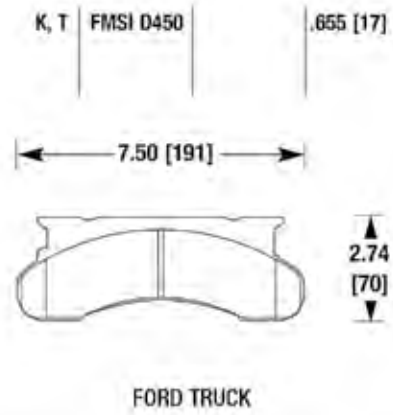
Park Brakes

Service Brakes

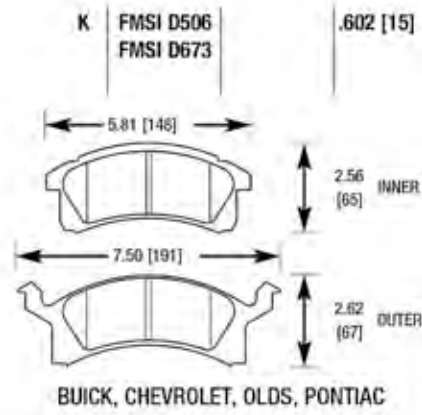
Combo Brakes

Hydraulic Control

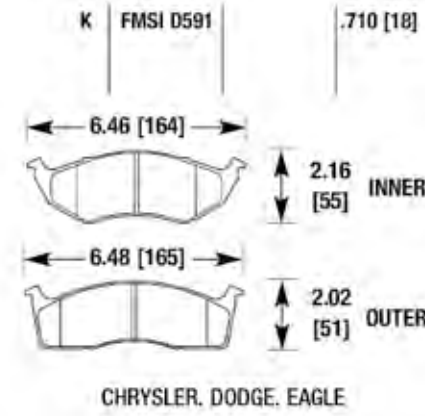
WPD0450



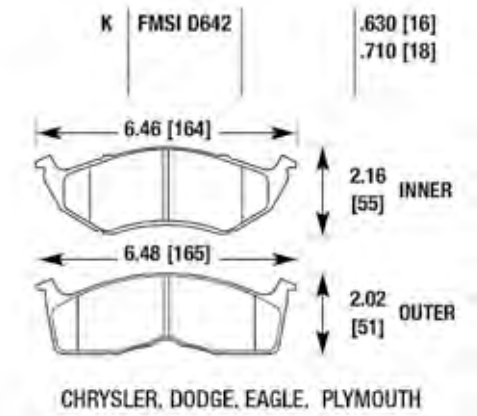
WPD0506



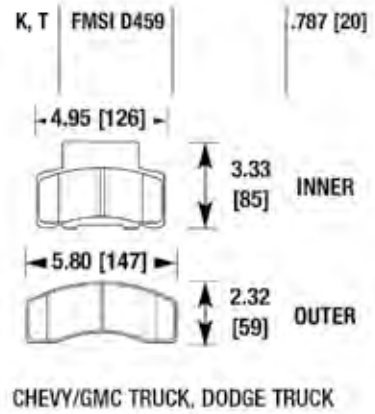
WPD0591



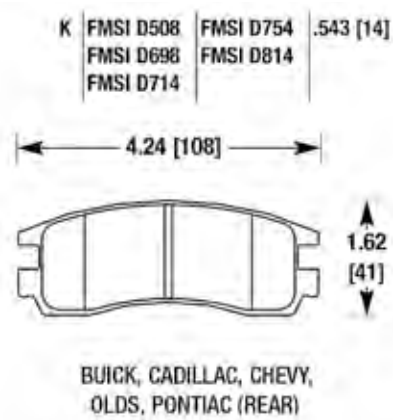
WPD0642



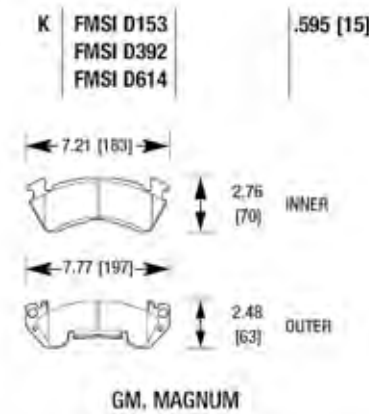
WPD0459



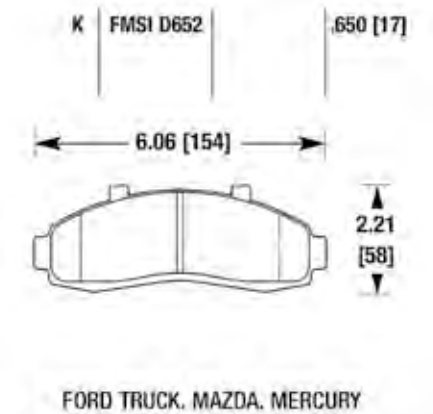
WPD0508



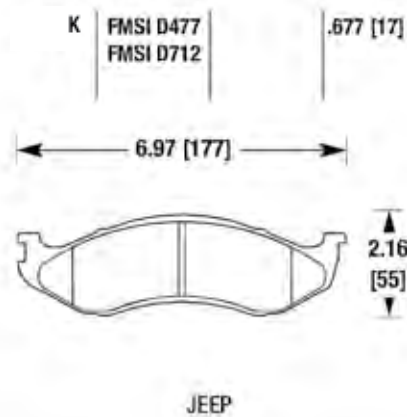
WPD0614



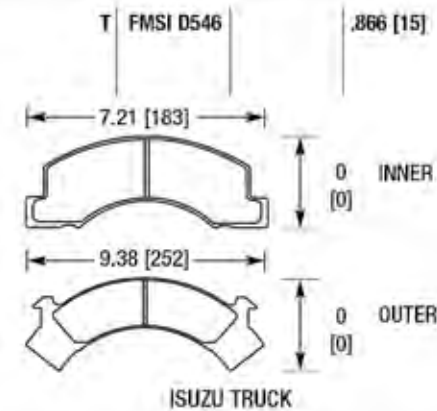
WPD0652



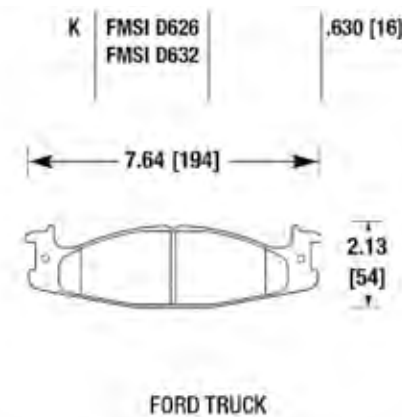
WPD0477



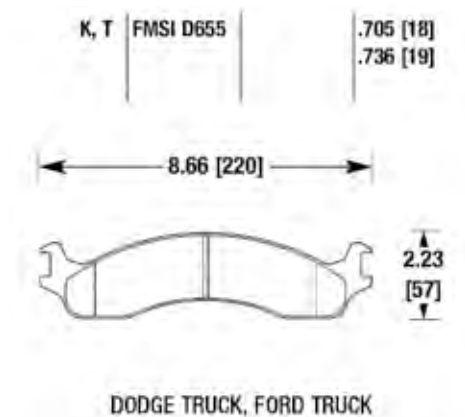
WPD0546



WPD0632



WPD0655



Wet Friction

On-HWY Brake Pads

On-HWY Buttons

Park Brakes

Service Brakes

Combo Brakes

Hydraulic Control

Wet Friction

On-HWY Brake Pads

On-HWY Buttons

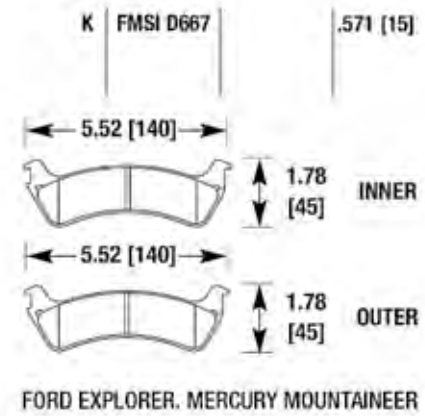
Park Brakes

Service Brakes

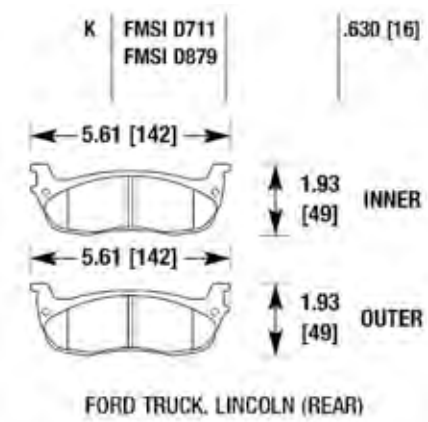
Combo Brakes

Hydraulic Control

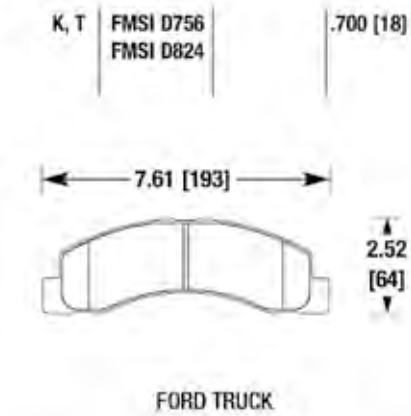
WPD0667



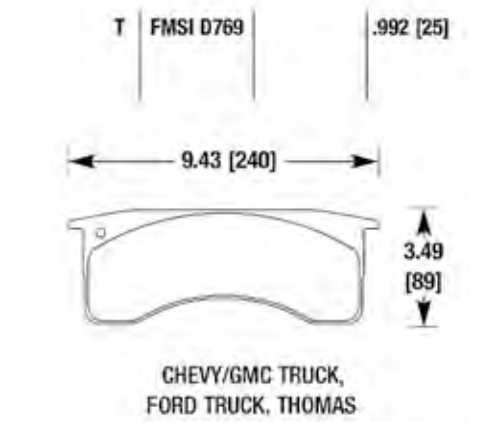
WPD0711



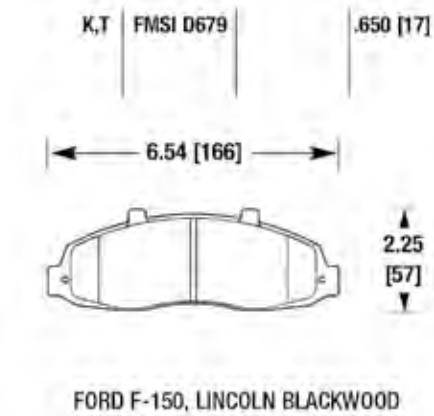
WPD0756



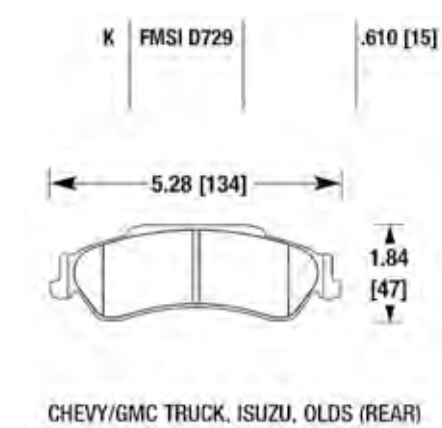
WPD0769



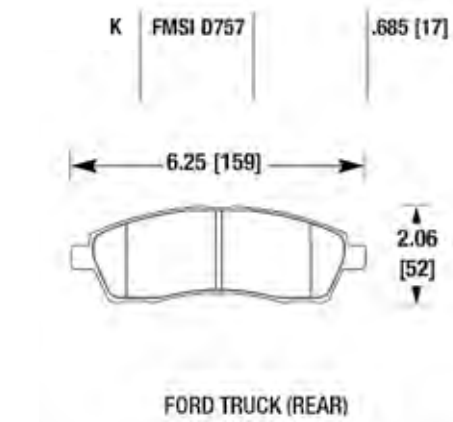
WPD0679



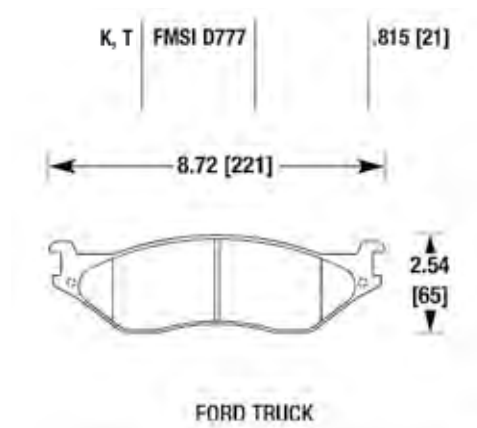
WPD0729



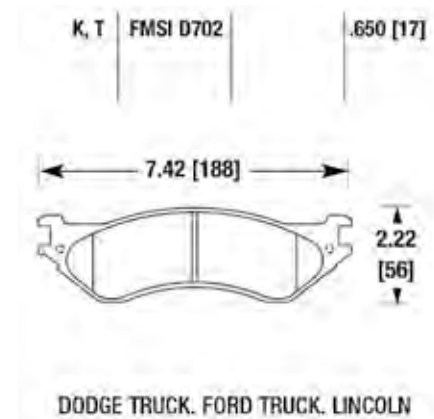
WPD0757



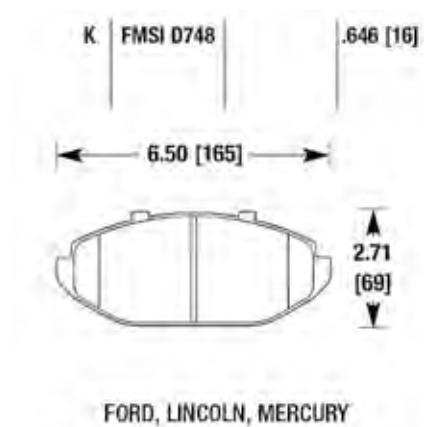
WPD0777



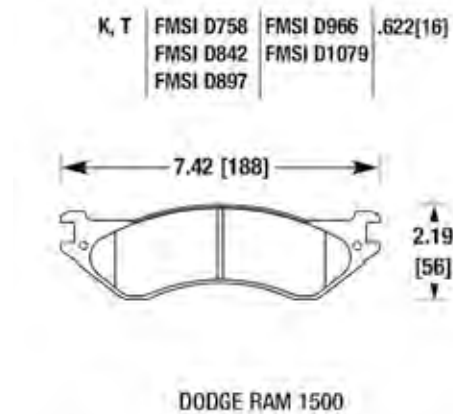
WPD0702



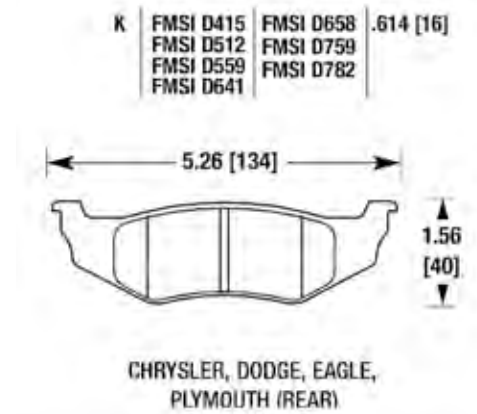
WPD0748



WPD0758



WPD0782



Wet Friction

On-HWY Brake Pads

On-HWY Buttons

Park Brakes

Service Brakes

Combo Brakes

Hydraulic Control

Wet Friction

On-HWY Brake Pads

On-HWY Buttons

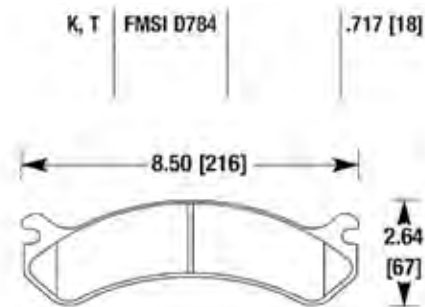
Park Brakes

Service Brakes

Combo Brakes

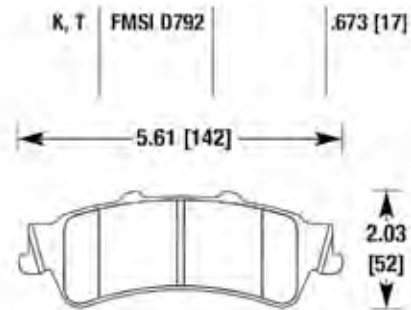
Hydraulic Control

WPD0784



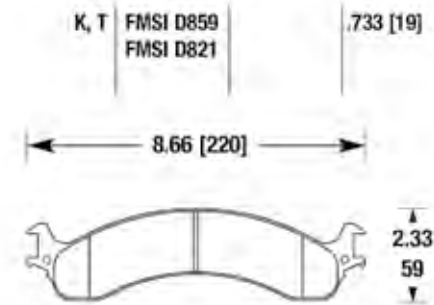
CADILLAC, CHEVY/GMC TRUCK,

WPD0792



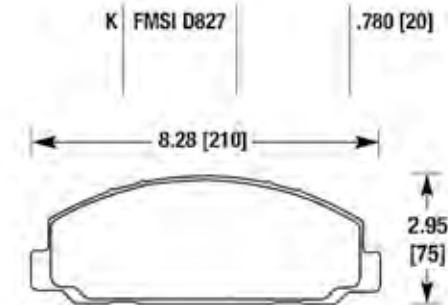
CADILLAC,
CHEVY/GMC TRUCK (REAR)

WPD0821



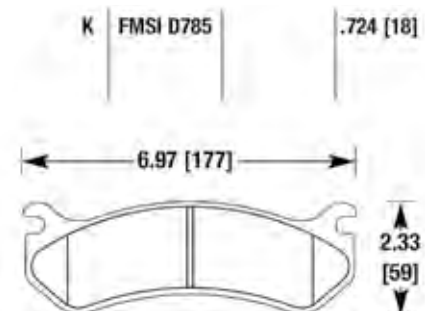
DODGE TRUCK

WPD0827



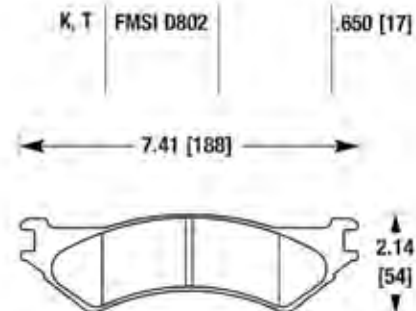
ISUZU TRUCK

WPD0785



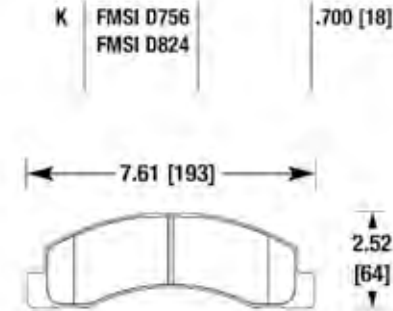
CADILLAC, CHEVY/GMC TRUCK,
HUMMER H2

WPD0802



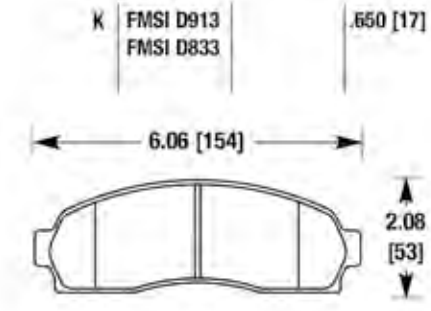
FORD TRUCK
E250 & E350 (REAR)

WPD0824



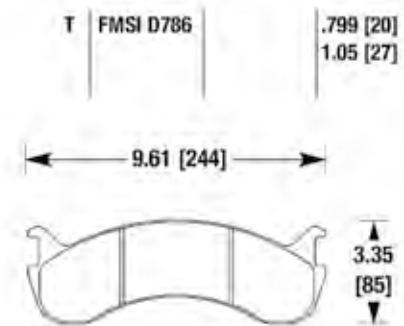
FORD TRUCK

WPD0833



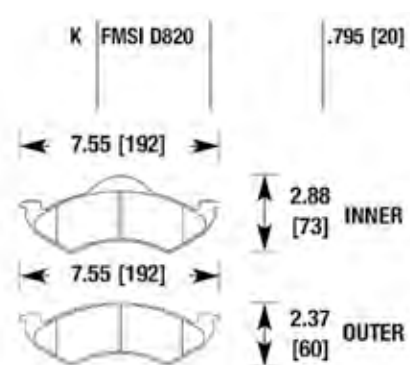
CHEVY TRUCK, FORD TRUCK, MAZDA TRUCK,
MERCURY, SATURN

WPD0786



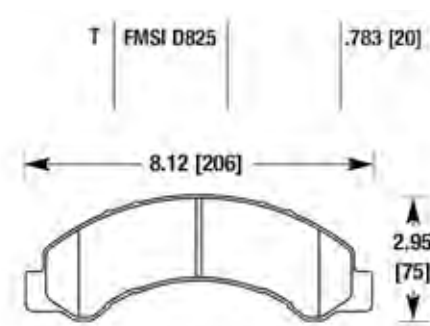
INTERNATIONAL

WPD0820



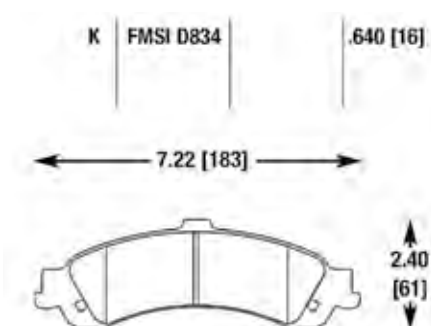
DODGE DAKOTA/DURANGO

WPD0825



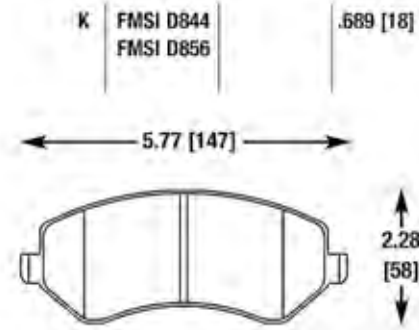
CHEVY GMC / ISUZU TRUCK

WPD0834



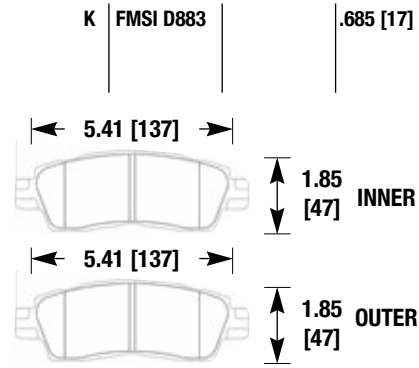
CADILLAC, CHEVY/GMC TRUCK (REAR)

WPD0856



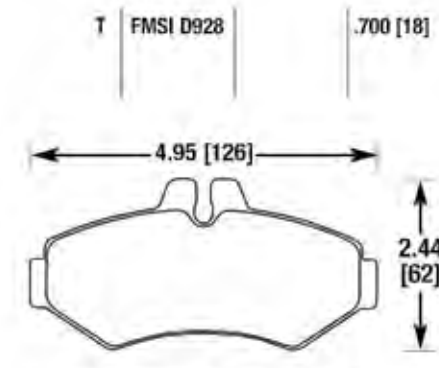
BUICK, CHRYSLER, DODGE TRUCK, JEEP

WPD0883



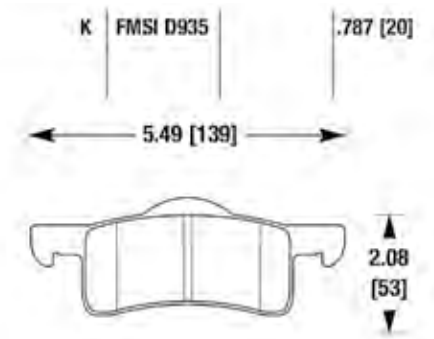
BUICK, CHEVY, GMC (REAR)

WPD0928



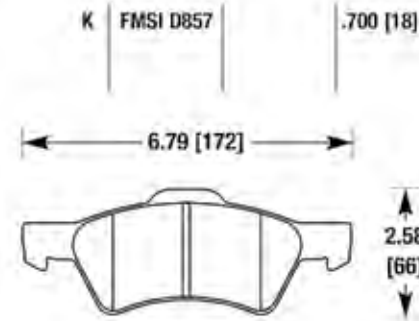
DODGE TRUCK, FREIGHTLINER (REAR)

WPD0935



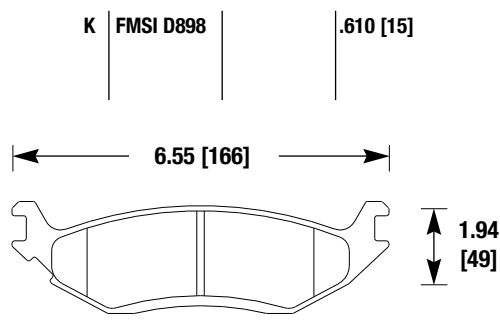
FORD TRUCK, LINCOLN (REAR)

WPD0857



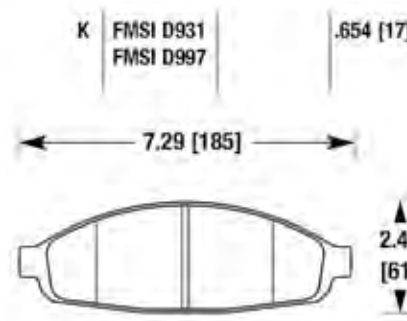
CHRYSLER, DODGE TRUCK

WPD0898



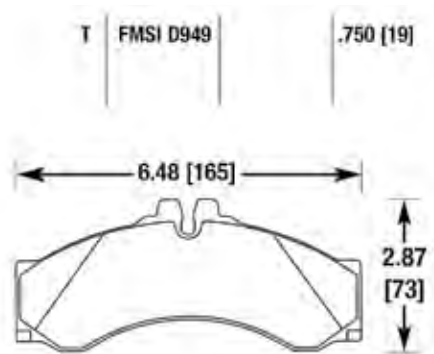
CHRYSLER, DODGE, JEEP (REAR)

WPD0931



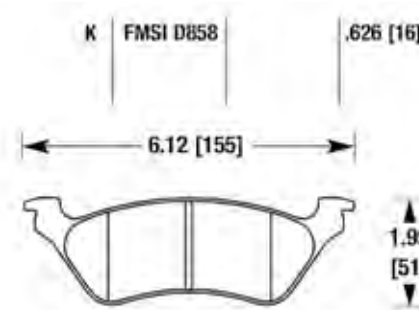
CHRYSLER, FORD, LINCOLN, MERCURY

WPD0949



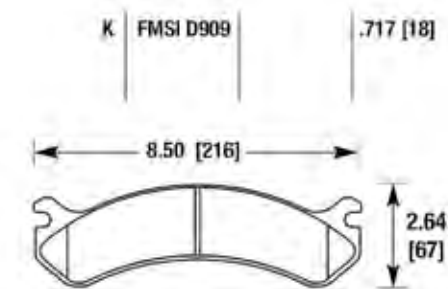
DODGE TRUCK, FREIGHTLINER

WPD0858



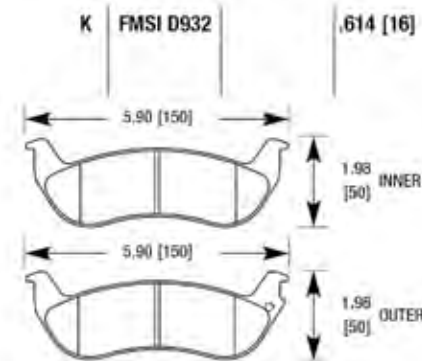
CHRYSLER, DODGE TRUCK (REAR)

WPD0909



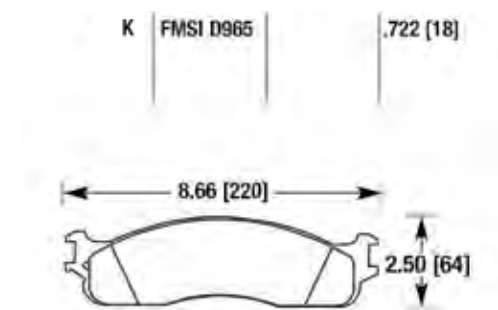
CHEVY/GMC TRUCK (REAR)

WPD0932



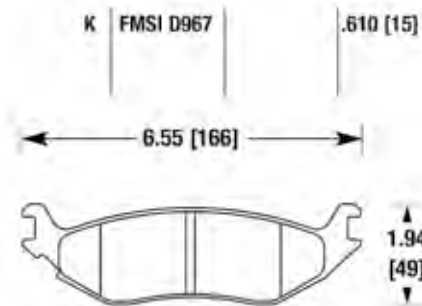
FORD, LINCOLN, MERCURY (REAR)

WPD0965



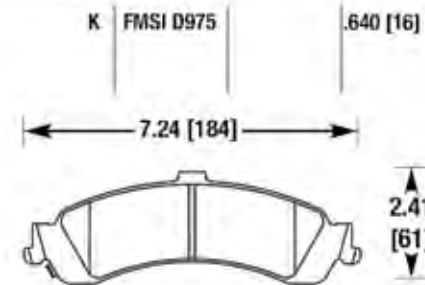
DODGE RAM PICKUP (FRONT)

WPD0967



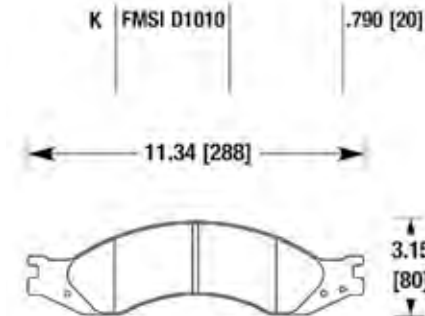
DODGE TRUCK (REAR)

WPD0975



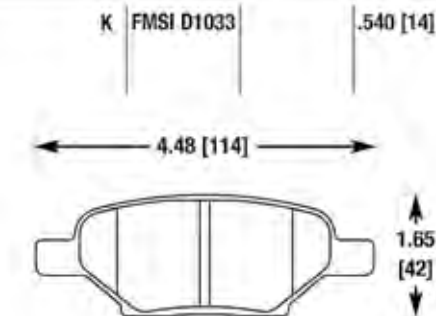
GM TRUCK (REAR)

WPD1010



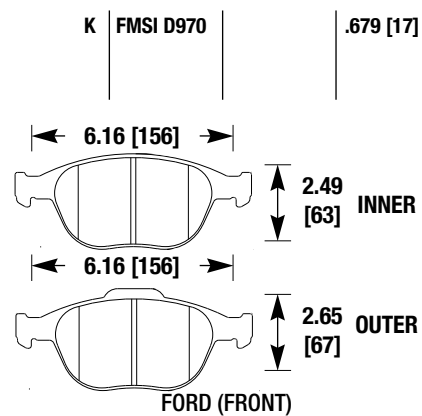
GMC TRUCK

WPD1033

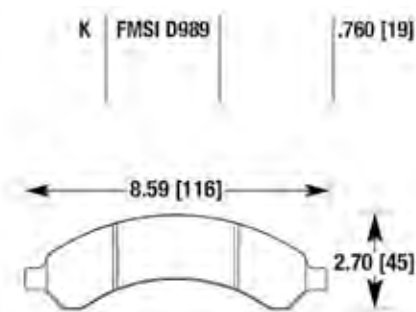


COBALT (REAR)

WPD0970

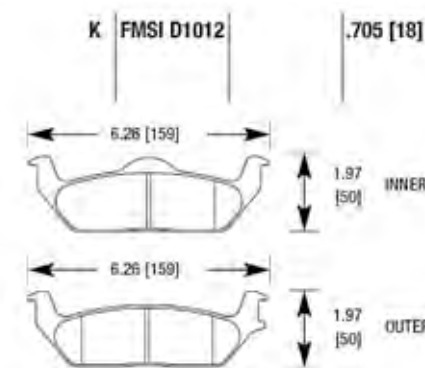


WPD0989

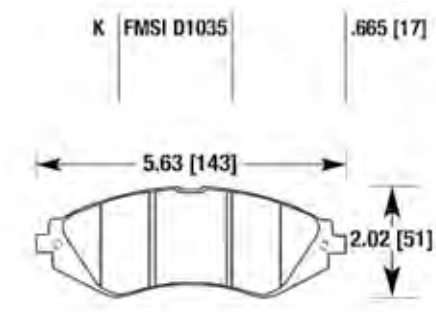


CHEVY/GMC 3500 VAN DRW (REAR)

WPD1012

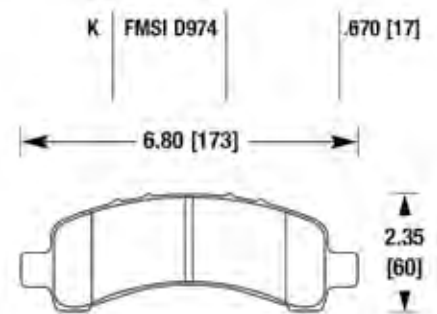


WPD1035



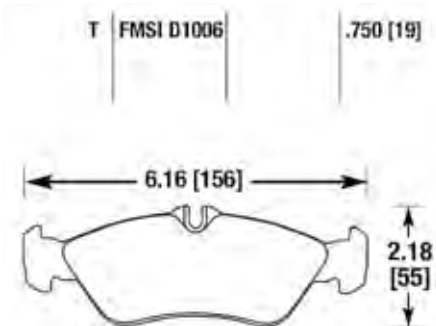
CHEVY OPTRA, AVEO (FRONT)
LATIN AMERICA

WPD0974



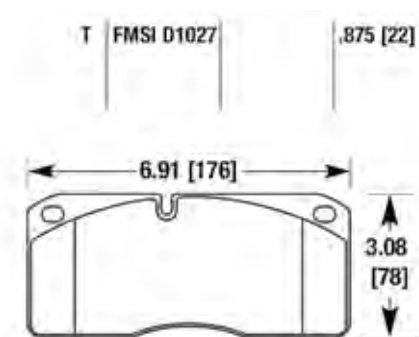
CADILLAC, CHEVY TRUCK, GMC TRUCK (REAR)

WPD1006



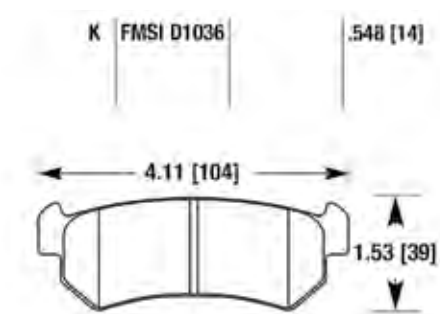
DODGE TRUCK, FREIGHTLINER (REAR)

WPD1027



WORKHORSE W42

WPD1036



CHEVY OPTRA (REAR)
LATIN AMERICA

Wet Friction

On-HWY Brake Pads

On-HWY Buttons

Park Brakes

Service Brakes

Combo Brakes

Hydraulic Control

Wet Friction

On-HWY Brake Pads

On-HWY Buttons

Park Brakes

Service Brakes

Combo Brakes

Hydraulic Control

Wet Friction

On-HWY Brake Pads

On-HWY Buttons

Park Brakes

Service Brakes

Combo Brakes

Hydraulic Control

Wet Friction

On-HWY Brake Pads

On-HWY Buttons

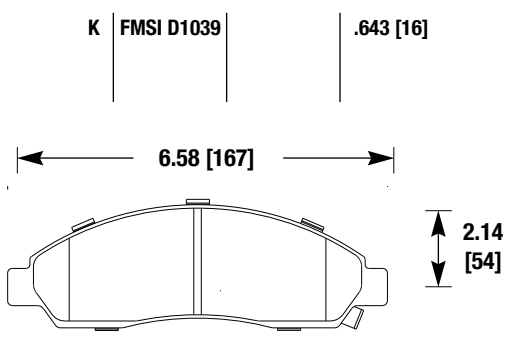
Park Brakes

Service Brakes

Combo Brakes

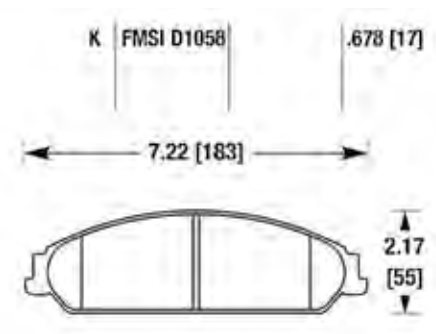
Hydraulic Control

WPD1039



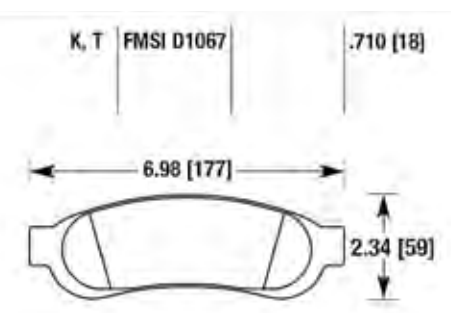
CHEVY, GMC (FRONT)

WPD1058



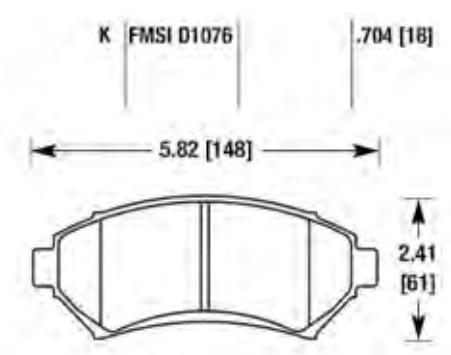
CHRYSLER, DODGE

WPD1067



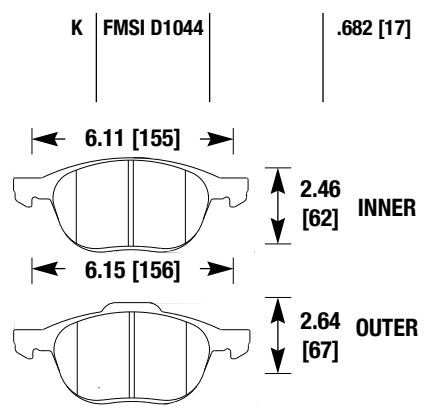
FORD F-350 SUPER DUTY PICKUP

WPD1076



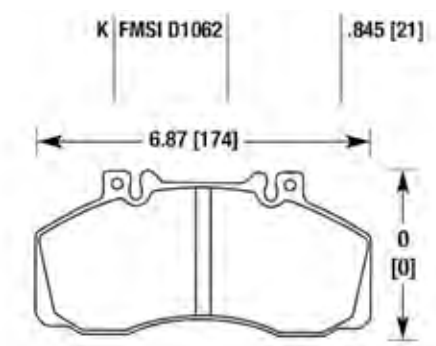
CADILLAC, CHEVY

WPD1044



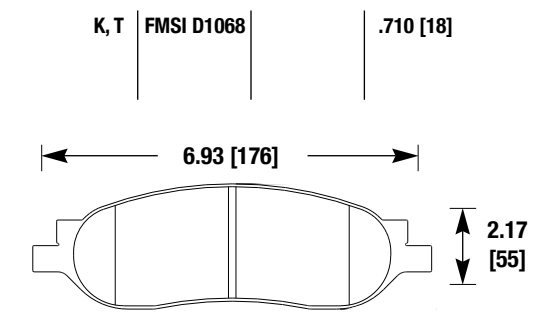
FORD, MAZDA (FRONT)

WPD1062



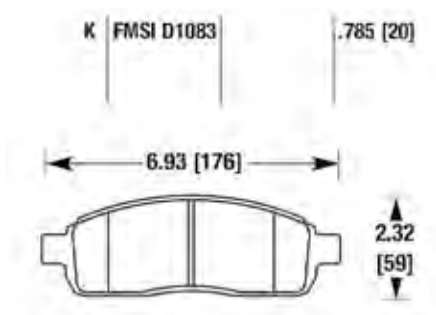
HINO

WPD1068



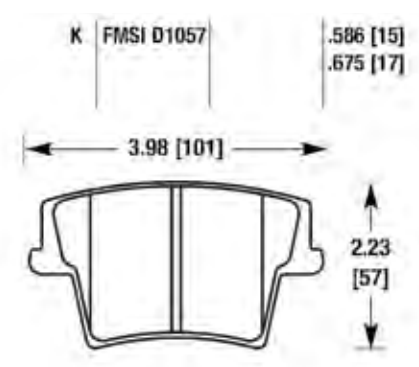
FORD TRUCK (REAR)

WPD1083



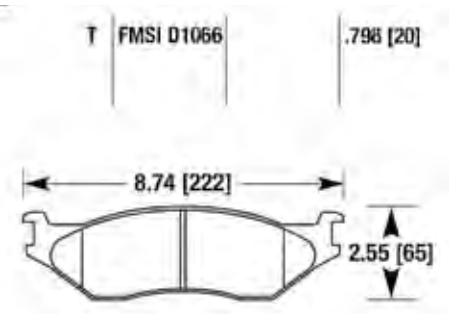
FORD TRUCK

WPD1057



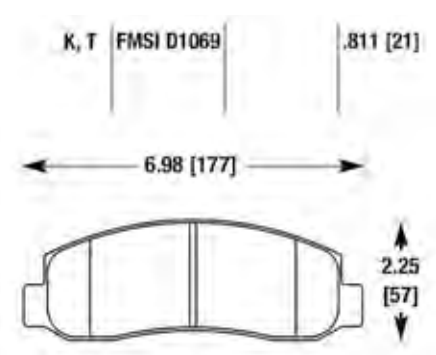
CHRYSLER, DODGE (REAR)

WPD1066



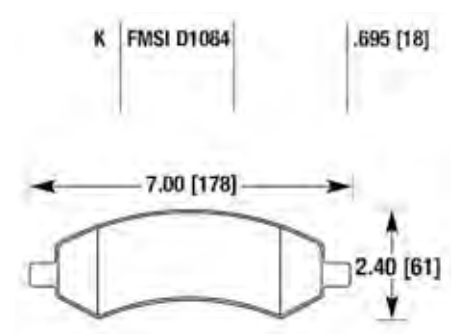
FORD F-450

WPD1069



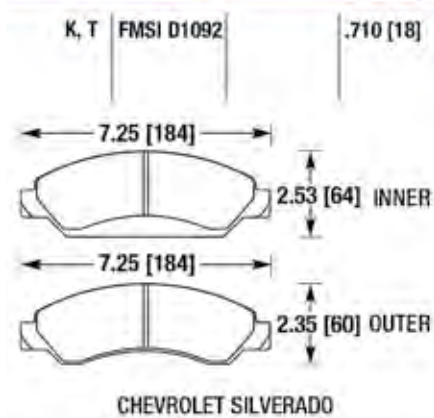
FORD F250/F350 SUPER DUTY

WPD1084

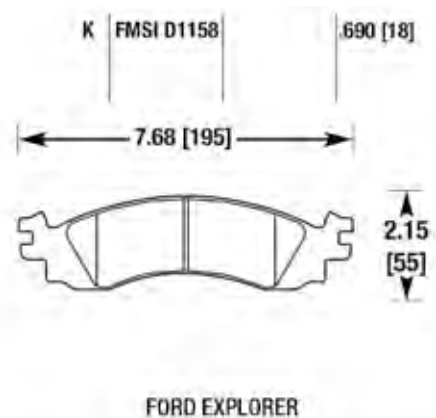


DODGE DAKOTA

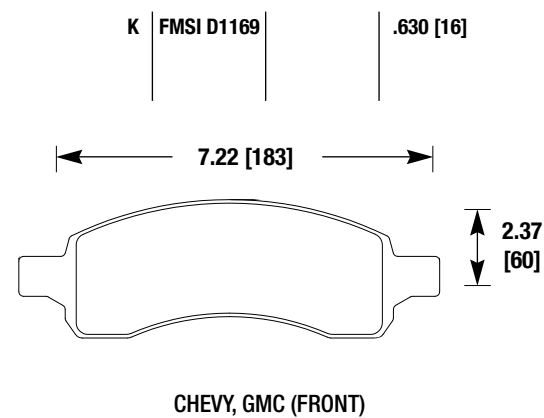
WPD1092



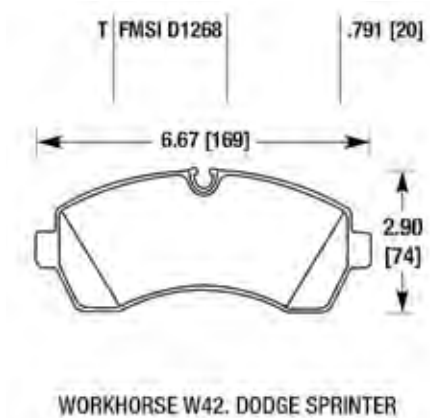
WPD1158



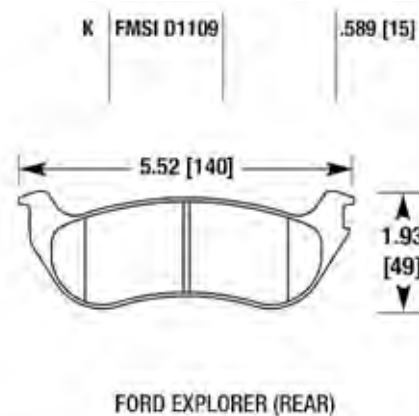
WPD1169



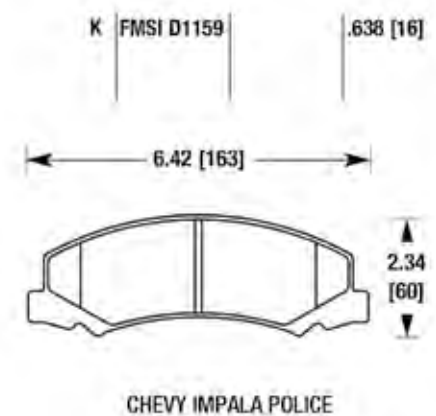
WPD1268



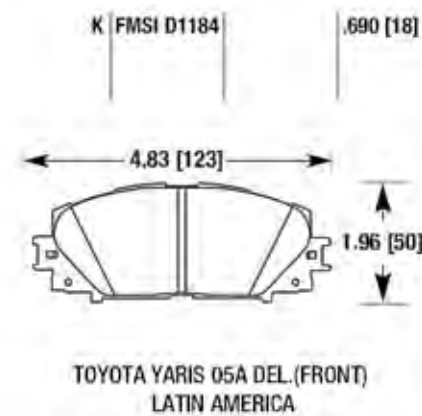
WPD1109



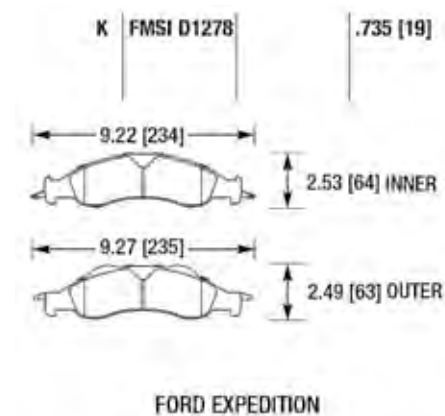
WPD1159



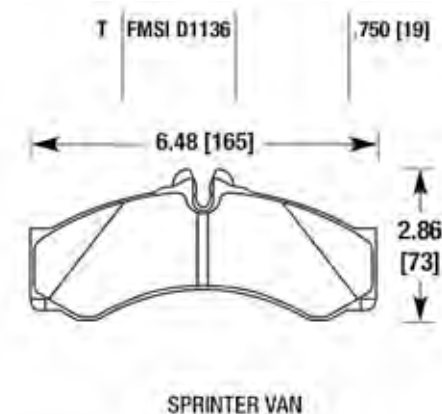
WPD1184



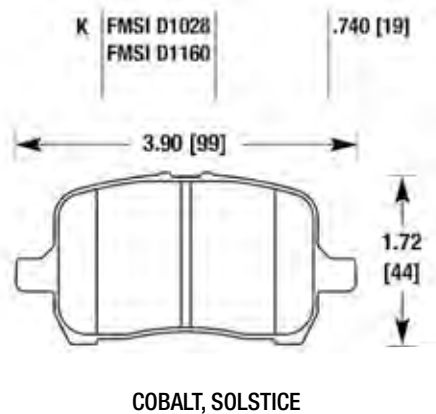
WPD1278



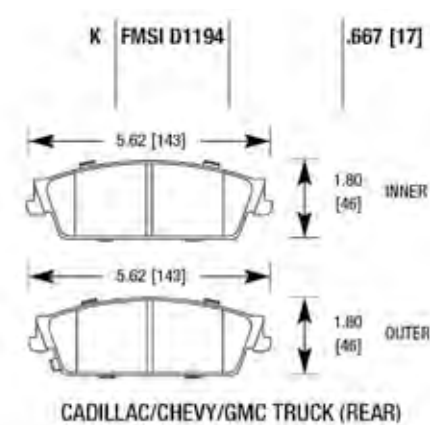
WPD1136



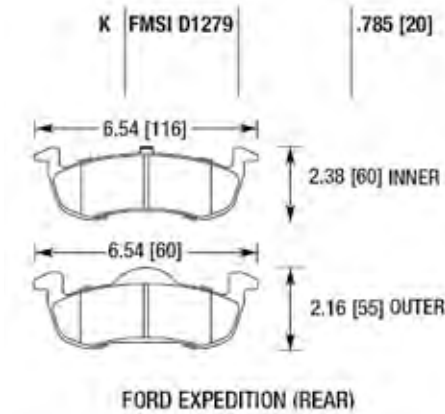
WPD1160



WPD1194



WPD1279



Wet Friction

On-HWY Brake Pads

On-HWY Buttons

Park Brakes

Service Brakes

Combo Brakes

Hydraulic Control

Wet Friction

On-HWY Brake Pads

On-HWY Buttons

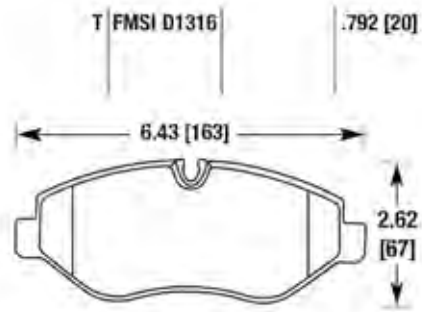
Park Brakes

Service Brakes

Combo Brakes

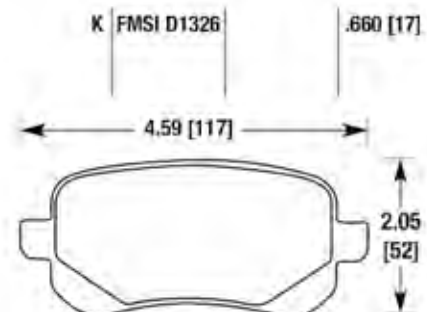
Hydraulic Control

WPD1316



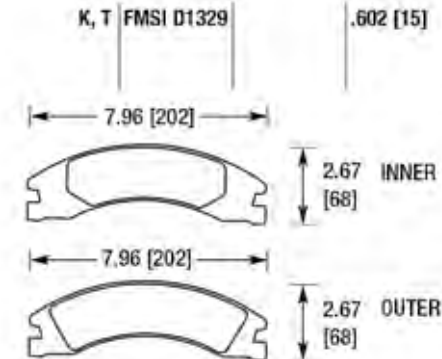
DODGE SPRINTER

WPD1326



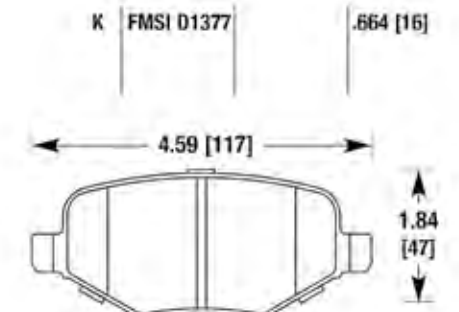
DODGE GRAND CARAVAN (REAR)

WPD1329



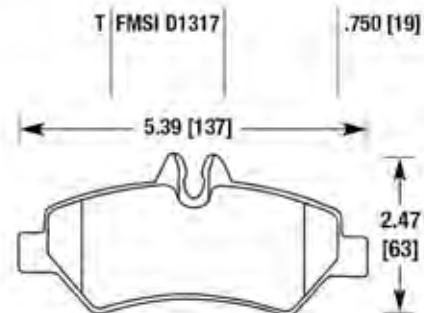
FORD VAN (REAR)

WPD1377



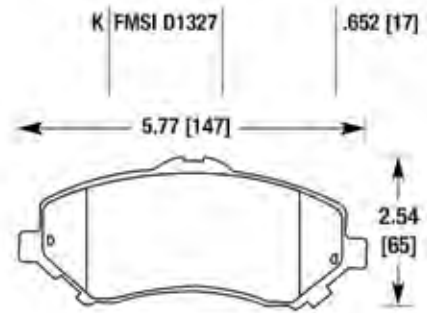
FORD TAURUS/EXPLORER (REAR)

WPD1317



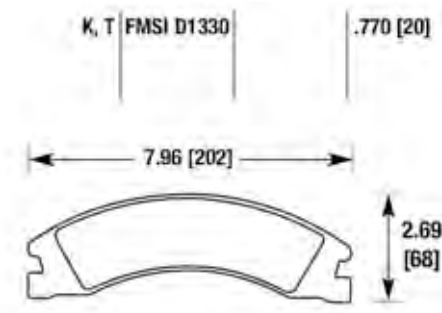
DODGE SPRINTER (REAR)

WPD1327



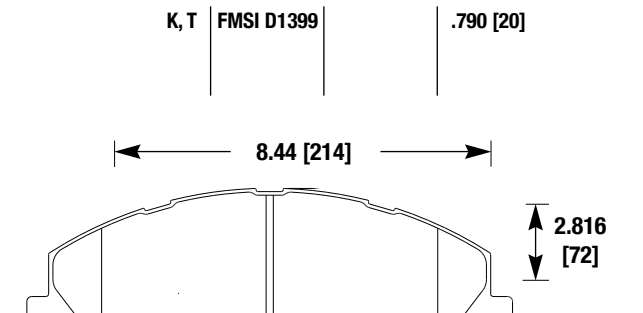
DODGE GRAND CARAVAN

WPD1330



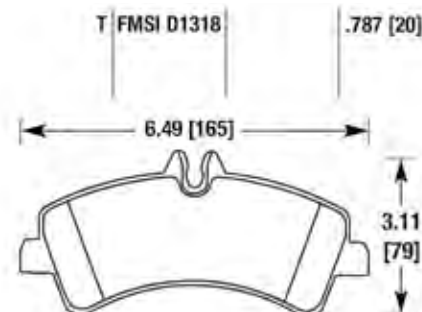
FORD VAN (REAR)

WPD1399



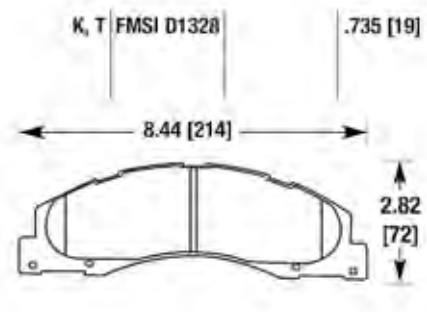
DODGE (FRONT)

WPD1318



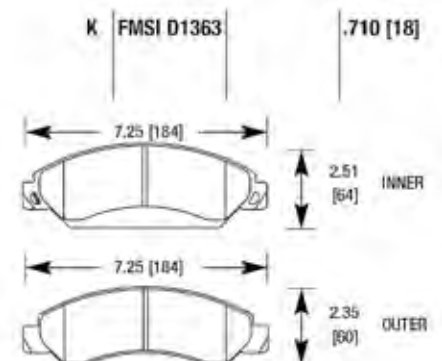
DODGE SPRINTER (REAR)

WPD1328



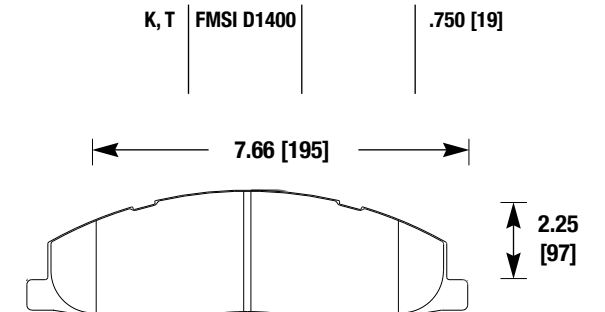
FORD VAN

WPD1363



CADILLAC/CHEVY/GMC TRUCK

WPD1400



DODGE (REAR)

Wet Friction

On-HWY Brake Pads

On-HWY Buttons

Park Brakes

Service Brakes

Combo Brakes

Hydraulic Control

Wet Friction

On-HWY Brake Pads

On-HWY Buttons

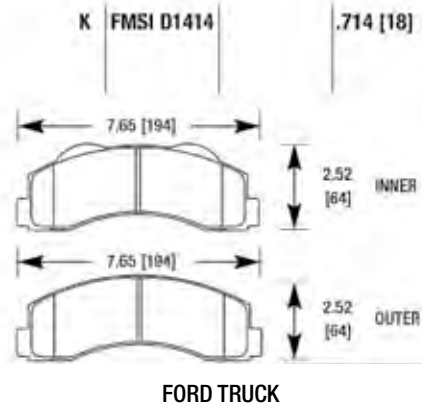
Park Brakes

Service Brakes

Combo Brakes

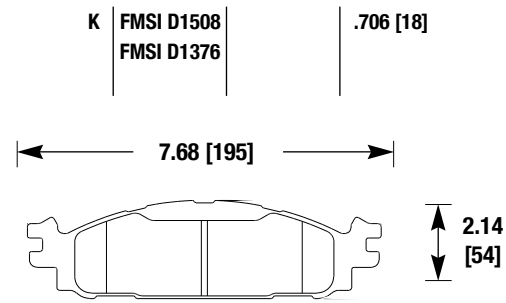
Hydraulic Control

WPD1414



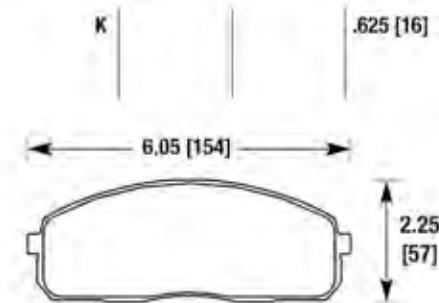
FORD TRUCK

WPD1508



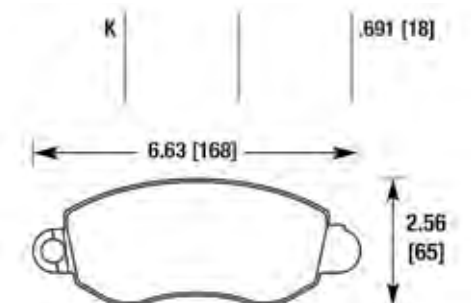
FORD, LINCOLN (FRONT)

WPD6001



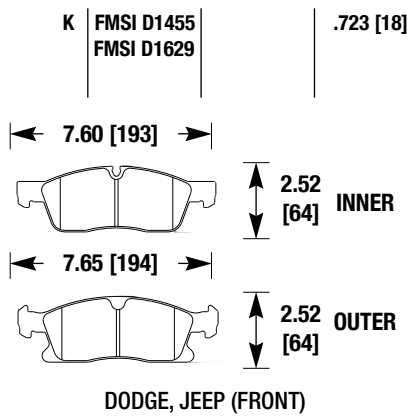
HYUNDAI H100

WPD7024



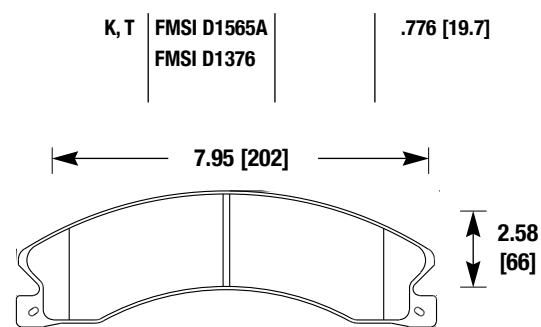
FORD TRANSIT

WPD1455



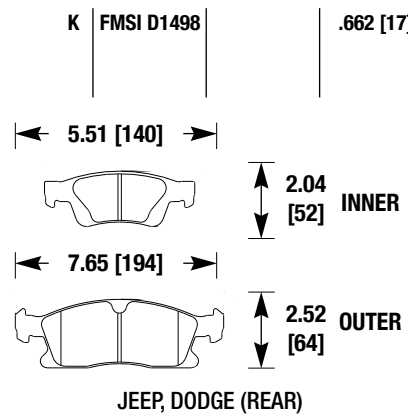
DODGE, JEEP (FRONT)

WPD1565A



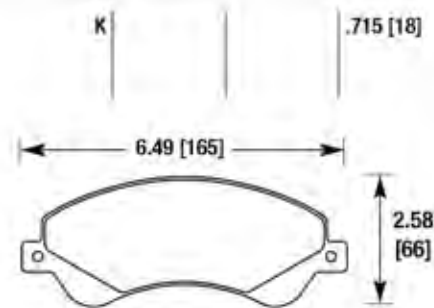
CHEVY, GMC, NISSAN (REAR)

WPD1498



JEEP, DODGE (REAR)

WPD6000



FORD TRANSIT

TECHNOLOGY TIPS

BRAKE NOISE

It is important to understand that brake noise (squeal, groan, howl, etc) is generated by the brake system as a whole and can be greatly influenced by the installation.

- **Rotor type** - Make sure an OE or high quality replacement rotor is used.
- **Rotor finish** - insure the surface is clean, smooth and flat. If turned, apply a non-directional finish using a bead brush or 120 grit sand paper.
- **Pad fitment** - When installed the pad should fit snug with no rattle or movement. If this is not the case, inspect and replace hardware and abutment clips as necessary.

Below is a checklist of some key items to keep in mind when installing your VelveTouch brake pads.

- **Lubrication** - Noise is typically a result of vibration being transferred between components of the brake system. Proper lubrication of these contact points can greatly reduce this from occurring. High temperature synthetic lubricant containing moly should be applied at all contact points of the pad and the brake system, making sure not to get any lubricant on the friction surface.
- **Break-in** - proper break-in of a new set of brake pads will deposit a transfer layer onto the rotor surface. This layer aides in creating a smooth contact between the pad and rotor eliminating potential vibrations.

BUTTONS AND RIVETS

82-85 | CLUTCH BUTTONS

86 | RIVETS

SERIES	VELVETOUCH PART NO.	MATERIAL	THICK (IN)	THICK (MM)	COLOR CODE	RIVET SERIES	REFERENCE DRAWING	
CLUTCH BUTTONS								
1H	1H110	CERAMIC	0.110	2.794	YELLOW	G		
1H	1H118	CERAMIC	0.118	3.000		G		
1H	1H125	CERAMIC	0.125	3.175	RED	G		
1H	1H140	CERAMIC	0.140	3.556	BLUE	G		
1H	1H156	CERAMIC	0.156	3.962	VIOLET	G		
1H	1HC125	CARBOTIC	0.125	3.175	RED	G		
1H	1HC140	CARBOTIC	0.140	3.556	BLUE	G		
1H	1HC156	CARBOTIC	0.156	3.962	VIOLET	G		
1H	1HC173	CARBOTIC	0.173	4.394	GREEN	G		
1H	1HC187	CARBOTIC	0.187	4.750	ORANGE	G		
1H	1H110-HD	CERAMIC HD	0.110	2.794	YELLOW	G		
1H	1H118-HD	CERAMIC HD	0.118	3.000		G		
1H	1H125-HD	CERAMIC HD	0.125	3.175	RED	G		
1H	1H140-HD	CERAMIC HD	0.140	3.556	BLUE	G		
1H	1H125-HP	700 HIGH PERF	0.125	3.175	RED	G		
EVT	CEVT2	CARBOTIC	0.125	3.175	RED	G		
EVT	CEVT4	CARBOTIC	0.140	3.556	BLUE	G		
EVT	CEVT5	CARBOTIC	0.156	3.962	VIOLET	G		
EVT	CEVT7	CARBOTIC	0.175	4.445	GREEN	G		
EVT	CEVT8	CARBOTIC	0.187	4.750	ORANGE	G		
EVT	CEVT9	CARBOTIC	0.218	5.537	SILVER	G		
EVT	EVT2	CERAMIC	0.125	3.175	RED	G		
EVT	EVT4	CERAMIC	0.140	3.556	BLUE	G		
EVT	EVT5	CERAMIC	0.156	3.962	VIOLET	G		
EVT	EVT7	CERAMIC	0.175	4.445	GREEN	G		
EVT	EVT8	CERAMIC	0.187	4.750	ORANGE	G		
EVT	EVT9	CERAMIC	0.218	5.537	SILVER	G		
RVSR	CRVSR10	CARBOTIC	0.134	3.404	BLUE	G		
RVSR	CRVSR12	CARBOTIC	0.174	4.420	GREEN	G		

* Subject to minimum quantity and or lead time requirement (N) New Part

SERIES	VELVETOUCH PART NO.	MATERIAL	THICK (IN)	THICK (MM)	COLOR CODE	RIVET SERIES	REFERENCE DRAWING
CLUTCH BUTTONS							
VSR	CVSR20	CARBOTIC	0.133	3.378	BLUE	G	
VSR	CVSR21	CARBOTIC	0.156	3.962	VIOLET	G	
VSR	CVSR22	CARBOTIC	0.178	4.521	GREEN	G	
VSR	CVSR23	CARBOTIC	0.187	4.750	ORANGE	G	
VSR	CVSR24	CARBOTIC	0.199	5.055	SILVER	G	
VSR	VSR20	CERAMIC	0.133	3.378	BLUE	G	
VSR	VSR21	CERAMIC	0.156	3.962	VIOLET	G	
VSR	VSR22	CERAMIC	0.178	4.521	GREEN	G	
VSR	VSR23	CERAMIC	0.187	4.750	ORANGE	G	
VSR-S	VSR10	CERAMIC	0.133	3.378	BLUE	G	
VSR-S	VSR11	CERAMIC	0.156	3.962	VIOLET	G	
VSR-S	VSR12	CERAMIC	0.178	4.521	GREEN	G	
VSR-S	VSR13	CERAMIC	0.187	4.750	ORANGE	G	
VT	CVT2	CARBOTIC	0.125	3.175	RED	G	
VT	CVT4	CARBOTIC	0.140	3.556	BLUE	G	
VT	CVT5	CARBOTIC	0.156	3.962	VIOLET	G	
VT	CVT7	CARBOTIC	0.175	4.445	GREEN	G	
VT	CVT8	CARBOTIC	0.187	4.750	ORANGE	G	
VT	CVT9	CARBOTIC	0.218	5.537	SILVER	G	
VT	VT2	CERAMIC	0.125	3.175	RED	G	
VT	VT4	CERAMIC	0.140	3.556	BLUE	G	
VT	VT4.5	CERAMIC	0.150	3.800		G	
VT	VT5	CERAMIC	0.156	3.962	VIOLET	G	
VT	VT7	CERAMIC	0.175	4.445	GREEN	G	
VT	VT8	CERAMIC	0.187	4.750	ORANGE	G	
VT	VT9	CERAMIC	0.218	5.537	SILVER	G	
VTD	VTD4	CERAMIC	0.142	3.600	BLUE	G	
VTD	VTD5	CERAMIC	0.157	3.988	VIOLET	G	
VTD	VTD7	CERAMIC	0.177	4.500	GREEN	G	
VTD	VTD8	CERAMIC	0.189	4.800	ORANGE	G	
VTD-R	VTD4R	CERAMIC	0.142	3.600	BLUE	G	
VTD-R	VTD5R	CERAMIC	0.157	4.000	VIOLET	G	
VTD-R	VTD7R	CERAMIC	0.177	4.500	GREEN	G	
VTD-R	VTD8R	CERAMIC	0.189	4.800	ORANGE	G	
VTDS	VTDSR	CERAMIC	0.158	4.013			
VTDS	VTDSR	CERAMIC	0.168	4.267			

* Subject to minimum quantity and or lead time requirement (N) New Part

CLUTCH BUTTONS

CLUTCH BUTTONS

SERIES	VELVETOUCH PART NO.	MATERIAL	THICK (IN)	THICK (MM)	COLOR CODE	RIVET SERIES	REFERENCE DRAWING
CLUTCH BUTTONS							
VTJ	CVTJ5	CARBOTIC	0.156	3.962	VIOLET	G	
VTJ	CVTJ7	CARBOTIC	0.175	4.445	GREEN	G	
VTJ	CVTJ8	CARBOTIC	0.187	4.750	ORANGE	G	
VTJ	VTJ5	CERAMIC	0.156	3.962	VIOLET	G	
VTJ	VTJ7	CERAMIC	0.175	4.445	GREEN	G	
VTJ	VTJ8	CERAMIC	0.189	4.800	ORANGE	G	
VTJ	VTJ8.5	CERAMIC	0.197	5.004	SILVER	G	
VTJE	VTJE5	CERAMIC	0.157	3.988	VIOLET	H	
VTJE	VTJE7	CERAMIC	0.177	4.500	GREEN	H	
VTJE	VTJE8	CERAMIC	0.189	4.800	ORANGE	H	
VTJB	VTJB1	CERAMIC	0.197	5.004			
VTL	CVTL2	CARBOTIC	0.125	3.175	RED	H	
VTL	CVTL4	CARBOTIC	0.140	3.556	BLUE	H	
VTL	CVTL5	CARBOTIC	0.156	3.962	VIOLET	H	
VTL	CVTL7	CARBOTIC	0.175	4.445	GREEN	H	
VTL	CVTL7.5	CARBOTIC	0.181	4.600		H	
VTL	CVTL8	CARBOTIC	0.187	4.750	ORANGE	H	
VTL	CVTL9	CARBOTIC	0.218	5.537	SILVER	H	
VTL	CVTL9.5	CARBOTIC	0.226	5.740		H	
VTL	VTL2	CERAMIC	0.125	3.175	RED	H	
VTL	VTL4	CERAMIC	0.140	3.556	BLUE	H	
VTL	VTL5	CERAMIC	0.156	3.962	VIOLET	H	
VTL	VTL7	CERAMIC	0.175	4.445	GREEN	H	
VTL	VTL8	CERAMIC	0.187	4.750	ORANGE	H	
VTL	VTL9	CERAMIC	0.218	5.537	SILVER	H	
VTLJ	VTLJ8	CERAMIC	0.187	4.750	ORANGE	G	
VTLJ	VTLJ8.5	CERAMIC	0.197	5.004		G	
VTLD	VTLD4	CERAMIC	0.142	3.600		H	
VTLD	VTLD4.5	CERAMIC	0.150	3.800		H	
VTLD	VTLD5	CERAMIC	0.156	3.962		H	
VTLD	VTLD7	CERAMIC	0.175	4.445		H	
VTLD	VTLD8	CERAMIC	0.187	4.750		H	

* Subject to minimum quantity and or lead time requirement (N) New Part

SERIES	VELVETOUCH PART NO.	MATERIAL	THICK (IN)	THICK (MM)	COLOR CODE	RIVET SERIES	REFERENCE DRAWING
CLUTCH BUTTONS							
VTLD-R	VTLD6R	CERAMIC	0.156	3.962		G	
VTLD-R	VTLD7R	CERAMIC	0.175	4.445		G	
VTLD-R	VTLD8R	CERAMIC	0.187	4.750		G	
VTS	VTS1	CERAMIC	0.118	3.000	YELLOW	G	
VTS	VTS2	CERAMIC	0.125	3.175	RED	G	
VTS	VTS4	CERAMIC	0.140	3.556	BLUE	G	
VTS	VTS5	CERAMIC	0.156	3.962	VIOLET	G	

* Subject to minimum quantity and or lead time requirement (N) New Part

Wet Friction

On-HWY Brake Pads

On-HWY Buttons

Park Brakes

Service Brakes

Combo Brakes

Hydraulic Control

Wet Friction

On-HWY Brake Pads

On-HWY Buttons

Park Brakes

Service Brakes

Combo Brakes

Hydraulic Control

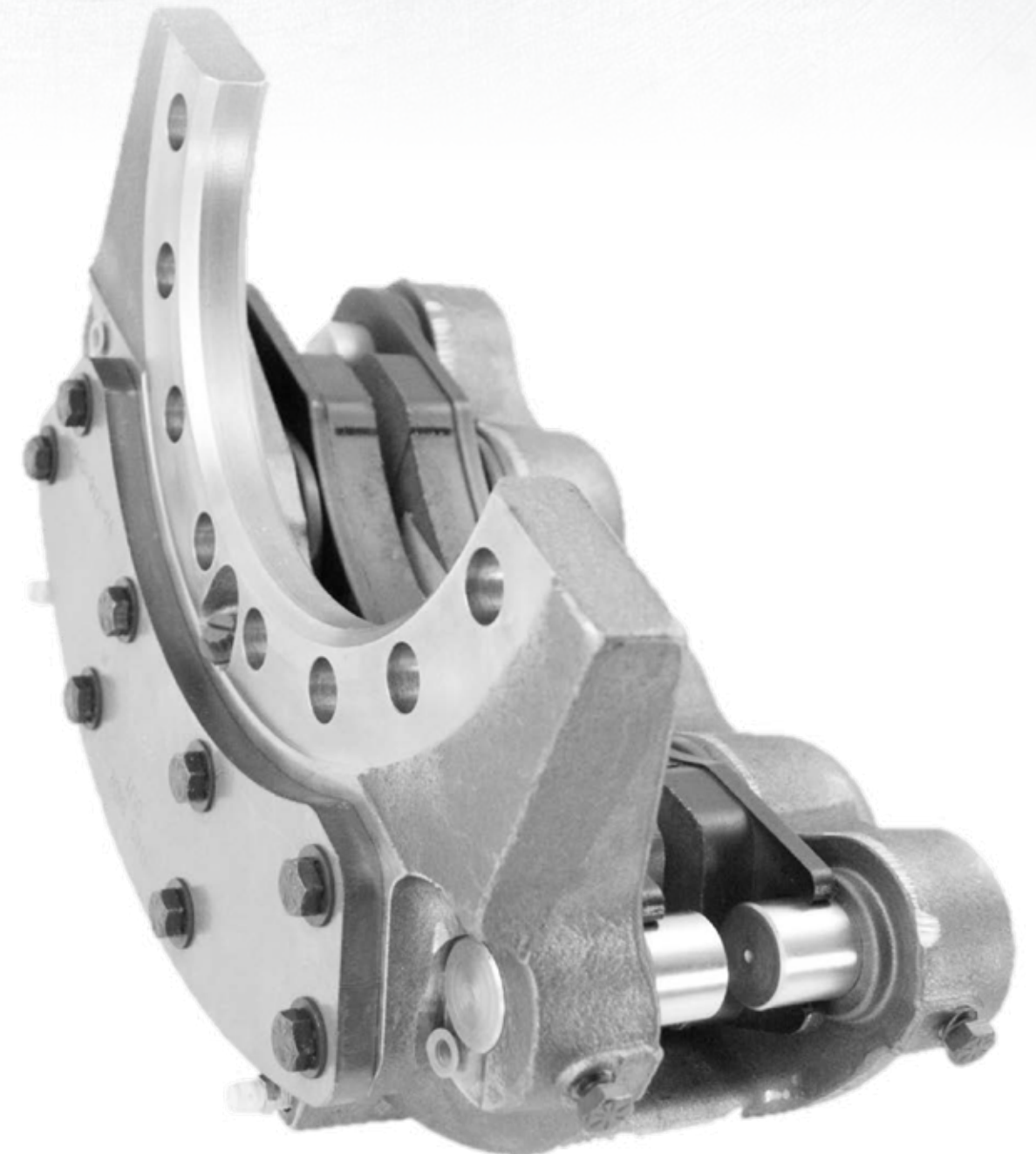
RIVETS

VELVETOUCH PART NO.	RIVET HEAD DIAMETER (IN)	BODY DIAMETER (IN)	LENGTH THICKNESS (IN)	CARRIER PLATE THICKNESS (IN)	UNIT TYPE	RIVETS PER UNIT
RIVETS						
G1	0.485	0.369	0.331	0.080	BOX	500
G1KEG	0.485	0.369	0.331	0.080	KEG	5000
G2	0.485	0.369	0.395	0.125	BOX	500
G2KEG	0.485	0.369	0.395	0.125	KEG	5000
G3	0.485	0.369	0.361	0.090	BOX	500
G3KEG	0.485	0.369	0.361	0.090	KEG	5000
G5	0.485	0.369	0.295	0.025	BOX	500
G5KEG	0.485	0.369	0.295	0.025	KEG	5000
<hr/>						
H0	0.635	0.497	0.250	0.025	BOX	500
H1	0.635	0.497	0.305	0.060	BOX	500
H1KEG	0.635	0.497	0.305	0.060	KEG	2500
H2	0.635	0.497	0.335	0.080	BOX	500
H2KEG	0.635	0.497	0.335	0.080	KEG	2500
H3	0.635	0.497	0.365	0.110	BOX	500
H3KEG	0.635	0.497	0.365	0.110	KEG	2500
H4	0.635	0.497	0.495	0.240	BOX	500
* Subject to minimum quantity and or lead time requirement (N) New Part						

**IMPORTANT NOTE: CONTACT CUSTOMER SERVICE FOR AVAILABILITY AND LEAD TIME FOR ALL KEG ORDERS.

VELVETOUCH PART NO.	RIVET HEAD DIAMETER (MM)	BODY DIAMETER (MM)	LENGTH THICKNESS (MM)	CARRIER PLATE THICKNESS (MM)
RIVETS				
G1	12.319	9.373	8.407	2.032
G2	12.319	9.373	10.033	3.175
G3	12.319	9.373	9.169	2.286
G5	12.319	9.373	7.493	0.635
<hr/>				
H0	16.129	12.624	6.350	0.635
H1	16.129	12.624	7.747	1.524
H2	16.129	12.624	8.509	2.032
H3	16.129	12.624	9.271	2.794
H4	16.129	12.624	12.573	6.096
* Subject to minimum quantity and or lead time requirement (N) New Part				

BRAKE ASSEMBLIES



Wet Friction

On-HWY Brake Pads

On-HWY Buttons

Park Brakes

Service Brakes

Combo Brakes

Hydraulic Control

PARK BRAKE

CONSTRUCTION, AG & INDUSTRIAL PARK BRAKES

SAHR

- 89 | PD1591
- 89 | SA2500
- 89 | SA7000
- 89 | SA14000

FOUR PISTON BRAKE

- 89-90 | SCL25

MECHANICAL PARK BRAKE

- 90 | RT

WEDGE BRAKE - SINGLE WEDGE

- 90 | RS

MINING HAULAGE PARK BRAKES

SAHR

- 90 | G1
- 91 | G2
- 91-92 | G6
- 92 | SCL70

INDUSTRIAL PARK BRAKE

MECHANICAL DRUM BRAKE

- 92 | DLM

FEATURED PRODUCT
PD1591 PARK BRAKE ASSEMBLY AND SEAL KIT



BRAKE DESCRIPTION	BRAKE FAMILY	BRAKE ASSEMBLY PART #	KIT & COMPONENT PART #	DESCRIPTION
CONSTRUCTION, AG & INDUSTRIAL PARK BRAKES				
SAHR	PD1591	PD1591151	9680391	SEAL KIT
			9680578	LINING KIT
			304-7253	OVERHAUL KIT
			MPS4009	PISTON & RET
			MPS4011	BRK KIT
		PD1591153	9680578	LINING KIT
			304-7253	OVERHAUL KIT
			MPS4009	PISTON & RET
			MPS4011	BRK HSG KIT
			9640227	LINING ASSY
		PD1591155	9680391	SEAL KIT
			9680707	HARDWARE KIT
			MPS4009	PISTON & RET
		PD1591161	MPS4009	PISTON & RET
			MPS4009	PISTON & RET
	PD1591163	9680578	LINING KIT	
		304-7253	OVERHAUL KIT	
		MPS3975	SEAL KIT	
		MPS4009	PISTON & RET	
	PD1591164	9680391	SEAL KIT	
		MPS4009	PISTON & RET	
	PD1591171	9680391	SEAL KIT	
		9680578	LINING KIT	
		304-7253	OVERHAUL KIT	
		MPS4051	PISTON KIT	
		9680391	SEAL KIT	
	PD1591191	9680391	SEAL KIT	
	SA2500	419-8965	305-7061	KIT SPRING URETHANE
			328-7911	LINING KIT
	SA7000	419-9022	244-7852	LINING ASSY
			304-7085	OVERHAUL KIT
			304-7170	SPRING KIT DISC SA7
			304-7179	OVERHAUL KIT
			304-7180	OVERHAUL KIT
			304-7221	CAM OVERHAUL KIT
			305-7061	SPRING KIT URETHANE
			306-7090	SEAL KIT
			306-7145	SEAL KIT
			328-7849	LINING KIT
		419-9054	244-7852	LINING ASSY
304-7204			OVERHAUL KIT	
306-7144			SEAL KIT & CURE DATE	
328-7849			LINING KIT	
328-7906			LINING KIT	
SA14000	419-8910	304-7207	OVERHAUL KIT	
		304-7208	DISC SPRING KIT SA14000	
		304-7209	CENTERING SPRING KIT	
		304-7217	PARTS KIT	
		304-7271	EF DT 1/12/10 KIT	
	419-9098	328-7914	LINING KIT	
		304-7208	DISC SPRING KIT SA14000	
		304-7209	CENTERING SPRING KIT	
		304-7217	PARTS KIT	
		328-7914	LINING KIT	
419-9308	304-7208	DISC SPRING KIT SA14000		
	304-7209	CENTERING SPRING KIT		
	304-7271	EF DT 1/12/10 KIT		
Four Piston Brake	SCL25	SCL25122	9680584	LINING KIT
			MPS3974	BRK KIT
			MPS3975	SEAL KIT

Wet Friction
On-HWY Brake Pads
On-HWY Buttons
Park Brakes
Service Brakes
Combo Brakes
Hydraulic Control

BRAKE DESCRIPTION	BRAKE FAMILY	BRAKE ASSEMBLY PART #	KIT & COMPONENT PART #	DESCRIPTION			
CONSTRUCTION, AG & INDUSTRIAL PARK BRAKES							
Four Piston Brake	SCL25	SCL25122	9680584	LINING KIT			
			MPS3974	BRK KIT			
			MPS3975	SEAL KIT			
			MPS4009	PISTON & RET			
			MPS4030	BRK HSG KIT			
			9680584	LINING KIT			
		SCL25124	MPS3936	SEAL KIT			
			MPS3974	HARDWARE KIT			
			MPS4009	PISTON & RET			
			MPS4030	BRK HSG KIT			
			9680391	SEAL KIT			
			9680578	LINING KIT			
		SCL25128	MPS3936	SEAL KIT			
			MPS4009	PISTON & RET			
			MPS4030	BRK HSG KIT			
			9680391	SEAL KIT			
			9680584	LINING KIT			
			MPS3936	SEAL KIT			
		SCL25131	MPS3974	BRK KIT			
			MPS4009	PISTON & RET			
			MPS4031	BRK HSG KIT			
419-8793	304-7102		HARDWARE KIT				
419-8796	304-7106		BRK KIT ASSY RT				
419-8798	304-7023		OVERHAUL KIT				
Wedge Brake - Single Wedge	RS	RSH20205130	2000U1269	LINING KIT			
			A11705U229	SEAL			
			A13261M299	WHL CYLINDER ASSY			
			A2247Q17	WEDGE ASSY			
			A2297C4839	GUIDE PAWL ASSY			
			A2297J4846	ACTUATOR ASSY			
			A3222U1373	BRK SHOE ASSY - FIN			
			A3222U1373	BRK SHOE			
			MPS2681	ANCHOR PIN KIT			
			MPS2828	BRK WEDGE KIT			
			MPS3668	ADJ KIT			
			MPS3670	ACTUATOR & PAWL KIT			
			MINING HAULAGE PARK BRAKES				
			SAHR	G1	419W2598	107W314	SLACK ADJ
244-2516	LINING ASSY						
444W7000	BRACKET ASSY KIT						
419W426-7	107W314	SLACK ADJ					
	304W203	OVERHAUL KIT					
	328W751	LINING KIT					
419W7943-1	107W314	SLACK ADJ					
	107W314	SLACK ADJ					
	107W314	SLACK ADJ					
419W8122	107W314	SLACK ADJ					
	444W7002	BRACKET KIT G1					
	60W6459	SPACER BACKPLATE					
	419W8123	444W7000			BRACKET ASSY KIT		
		444W7002			BRACKET KIT G1		
		107W314			SLACK ADJ		
	419W8124	444W7000			BRACKET ASSY KIT		
		107W314			SLACK ADJ		
		444W7000			BRACKET ASSY KIT		
	419W8156	107W314			SLACK ADJ		
		107W314			SLACK ADJ		
		107W314			SLACK ADJ		
419W8173	244W7896	LINING ASSY					
	60W6459	SPACER BACKPLATE					
	107W314	SLACK ADJ					
419W8787	107W314	SLACK ADJ					
	244W7896	LINING ASSY					
	60W6459	SPACER BACKPLATE					
419W9084	107W314	SLACK ADJ					
	107W314	SLACK ADJ					
	60W6459	SPACER BACKPLATE					

Wet Friction
On-HWY Brake Pads
On-HWY Buttons
Park Brakes
Service Brakes
Combo Brakes
Hydraulic Control

BRAKE DESCRIPTION	BRAKE FAMILY	BRAKE ASSEMBLY PART #	KIT & COMPONENT PART #	DESCRIPTION	
MINING HAULAGE PARK BRAKES					
SAHR	G2	419-619	244-549	BRONZE SEGMENT	
			304-250	OVERHAUL KIT	
			304-252	OVERHAUL KIT	
			304-253	SPRING KIT G2-5	
			306-219	SEAL KIT	
			32-507	CAP PISTON	
			380-54	SHIM PACK KIT G2	
			380-57	SHIM PACK KIT G2	
			74-741B	PISTON KIT	
			74-741F	PISTON KIT	
			419-7959	306-350	SEAL KIT
				306-350E	SEAL KIT
				32-627	CAP PISTON
				328-7926	LINING KIT
				380-54	KIT SHIM PACK G2
		380-57		KIT SHIM PACK G2	
		74-938B		PISTON KIT	
		74-938F		PISTON KIT	
		419-801		244-549	BRONZE SEGMENT
				304-250	OVERHAUL KIT
				304-253	KIT SPRING G2-5
				306-176	SEAL KIT
			306-176E	SEAL KIT	
			32-507	CAP PISTON	
			380-54	KIT SHIM PACK G2	
			380-57	KIT SHIM PACK G2	
			74-741B	PISTON KIT	
	74-741F		PISTON KIT		
	419-8176		244-549	BRONZE SEGMENT	
			304-250	OVERHAUL KIT	
		304-253	KIT SPRING G2-5		
		306-176	SEAL KIT		
		306-176E	SEAL KIT		
		380-54	KIT SHIM PACK G2		
		380-57	KIT SHIM PACK G2		
		74-741B	PISTON KIT		
		74-741F	PISTON KIT		
		419-819	305-7013	SPRING KIT G2-6	
			306-350	SEAL KIT	
			306-350E	SEAL KIT	
			32-627	CAP PISTON	
			328-7926	LINING KIT	
			380-54	KIT SHIM PACK G2	
	380-57		KIT SHIM PACK G2		
	74-938B		PISTON KIT		
	74-938F		PISTON KIT		
	419-878		305-7014	SPRING KIT G2-7	
			306-350	SEAL KIT	
			306-350E	SEAL KIT	
		32-627	CAP PISTON		
		328-7926	LINING KIT		
		380-54	KIT SHIM PACK G2		
		380-57	KIT SHIM PACK G2		
		74-938B	PISTON KIT		
74-938F		PISTON KIT			
419-7903		306-154	SEAL KIT		
		32-411	CAP PISTON		
		74-617B	PISTON KIT		
	G6	419-7903	306-154	SEAL KIT	
			32-411	CAP PISTON	
			74-617B	PISTON KIT	

Wet Friction
On-HWY Brake Pads
On-HWY Buttons
Park Brakes
Service Brakes
Combo Brakes
Hydraulic Control

BRAKE DESCRIPTION	BRAKE FAMILY	BRAKE ASSEMBLY PART #	KIT & COMPONENT PART #	DESCRIPTION	
MINING HAULAGE PARK BRAKES					
SAHR	G6	419-7905	306-152	SEAL KIT	
			306-152E	SEAL KIT	
			32-411	CAP PISTON	
		419-7906	74-617B	PISTON KIT	
			306-152	SEAL KIT	
			306-152E	SEAL KIT	
		419-8048	32-411	CAP PISTON	
			74-617B	PISTON KIT	
			306-7112	SEAL KIT	
			74-617F	PISTON KIT	
	SCL70	SCL703	2000N1470	LINING KIT	
			MPS3759	SEAL KIT	
			MPS3760	MAJ OVERHAUL REPAIR KIT	
			MPS3909	OVERHAUL KIT	
		SCL704	MPS4114	OVERHAUL KIT	
			MPS4115	MPS KIT	
			MPS4116	MPS KIT	
	INDUSTRIAL PARK BRAKE				
	Mechanical Drum Brake	DLM	DLM10104	A13236T2308	BACKING PLATE
A3722L194				SHOE ASSY	
DLM10105			A3722L194	SHOE ASSY	
			A53236R2228	BACKING PLATE	
DLM10107			A3722L194	SHOE ASSY	
			A73236R2228	BACKING PLATE	
DLM10115			A13736M455	BACKING PLATE	
			A3722L194	SHOE ASSY	
DLM1099			A13736P952	BACKING PLATE	
			A3722L194	SHOE ASSY	
DLM13125			A2297B4552	LEVER DLM	
			A83722X180	LINING ASSY	
DLM13208			A2297B4552	LEVER DLM	
			A73736D186	BACKING PLATE ASSY	
DLM13210			A83722X180	LINING ASSY	
			A2297B4552	LEVER DLM	
DLM13211			A33736M637	BACKING PLATE ASSY	
			A83722X180	LINING ASSY	
DLM13213			A2297B4552	LEVER DLM	
			A23736S773	BACKING PLATE	
DLM13214			A83722X180	LINING ASSY	
			A93736M819	BACKING PLATE ASSY	
DLM13215			A43736Z1014	BACKING PLATE ASSY	
			A83722X180	LINING ASSY	
DLM13216			A2297B4552	LEVER DLM	
			A3236Q2461	BACKING PLATE	
DLM13217			A83722X180	LINING ASSY	
			A2297B4552	LEVER DLM	
DLM13227			A3236X2260	BACKING PLATE	
			A83722X180	LINING ASSY	
DLM13227	A2297B4552	LEVER DLM			
	A24736Z78	BACKING PLATE			
		A83722X180	LINING ASSY		

SERVICE BRAKE

MEDIUM DUTY CONSTRUCTION SERVICE BRAKE

TWO PISTON BRAKE

- 95 | A2
- 95 | AA2
- 95 | B2
- 95 | C2
- 95 | SCL13

FOUR PISTON BRAKE

- 95-96 | A4
- 96-97 | AA4
- 97 | H4
- 97 | K4
- 97 | M4
- 97-99 | SCL2
- 99 | SCL33
- 99 | SCL34
- 99 | SCL46

SIX PISTON BRAKE

- 99-100 | H6
- 100 | HDB640
- 100-101 | HH6
- 101 | MHH6

DRUM BRAKE

- 101 | P Series

HEAVY DUTY MINING HAULAGE SERVICE BRAKES

FOUR PISTON BRAKE

- 101-102 | F4
- 102 | FF4
- 102 | PD1425
- 102 | SCL53
- 102-103 | SCL59
- 103 | SCL62

SIX PISTON BRAKE

- 103 | FF6
- 103 | J6
- 103-104 | M6
- 104 | SCL19
- 104 | SCL56

Wet Friction
On-HWY Brake Pads
On-HWY Buttons
Park Brakes
Service Brakes
Combo Brakes
Hydraulic Control

SERVICE BRAKE (CONTINUED)

INDUSTRIAL SERVICE BRAKE

SINGLE PISTON BRAKE

105 | PD1019

TWO PISTON BRAKE

105 | PD1105

105 | PD1182

105 | PD1314

105 | PD1344

105 | PD1428

105 | PD1433

105 | PD1473

MECHANICAL PARK BRAKE

105 | Lever

HYDRAULIC DRUM BRAKE

105 | DSH

BACKING PLATE

105 | FSH

FEATURED PRODUCT
H6 SERIES, SIX PISTON CALIPER SERVICE BRAKE
AND OVERHAUL KIT



BRAKE DESCRIPTION	BRAKE FAMILY	BRAKE ASSEMBLY PART #	KIT & COMPONENT PART #	DESCRIPTION
MEDIUM DUTY CONSTRUCTION SERVICE BRAKE				
Two Piston Brake	A2	419-154-1	244-736	LINING ASSY
			306-142	SEAL KIT
			306-142E	SEAL KIT
			74-548B	PISTON KIT
			74-548E	PISTON KIT
			74-548F	PISTON KIT
	AA2	419-7997	244-736	LINING ASSY
			306-7027	SEAL KIT
			74-548B	PISTON KIT
			74-548E	PISTON KIT
			74-548F	PISTON KIT
			244-736	LINING ASSY
	B2	419-8052	306-143	SEAL KIT
			306-143E	SEAL KIT
			74-548B	PISTON KIT
			74-548E	PISTON KIT
			74-548F	PISTON KIT
			244-736	LINING ASSY
	C2	419-182-1	306-145	SEAL KIT
			306-145E	SEAL KIT
			74-550B	PISTON KIT
			244-736	LINING ASSY
			306-345	SEAL KIT
			74-550B	PISTON KIT
SCL13	419-7922	244-736	LINING ASSY	
		306-345	SEAL KIT	
		74-550B	PISTON KIT	
		244-736	LINING ASSY	
		306-345	SEAL KIT	
		32-378	CAP INLET B2 7/16-20	
A4	419-7933	74-550B	PISTON KIT	
		244-736	LINING ASSY	
		306-145	SEAL KIT	
		306-145E	SEAL KIT	
		32-378	CAP INLET B2 7/16-20	
		74-550B	PISTON KIT	
A4	419-7935	244-8126	LINING ASSY	
		306-106	SEAL KIT	
		74-425B	PISTON KIT	
		244-8126	LINING ASSY	
		306-96	SEAL KIT	
		74-425B	PISTON KIT	
Four Piston Brake	A4	419-151-3	KIT10119	KIT-ORING-HVD
			306-142	SEAL KIT
			306-142E	SEAL KIT
			328-737	LINING KIT
			74-548B	PISTON KIT
			74-548E	PISTON KIT
	A4	419-151-4	306-142	SEAL KIT
			306-142E	SEAL KIT
			328-737	LINING KIT
			74-548B	PISTON KIT
			74-548E	PISTON KIT
			74-548F	PISTON KIT
A4	419-186-3	306-142	SEAL KIT	
		306-142E	SEAL KIT	
		328-737	LINING KIT	
		74-548B	PISTON KIT	
		74-548E	PISTON KIT	
		74-548F	PISTON KIT	

Wet Friction

On-HWY Brake Pads

On-HWY Buttons

Park Brakes

Service Brakes

Combo Brakes

Hydraulic Control

Wet Friction

On-HWY Brake Pads

On-HWY Buttons

Park Brakes

Service Brakes

Combo Brakes

Hydraulic Control

SERVICE BRAKES

SERVICE BRAKES

BRAKE DESCRIPTION	BRAKE FAMILY	BRAKE ASSEMBLY PART #	KIT & COMPONENT PART #	DESCRIPTION
MEDIUM DUTY CONSTRUCTION SERVICE BRAKE				
Four Piston Brake	A4	419-186-4	306-142	SEAL KIT
			306-142E	SEAL KIT
			328-737	LINING KIT
			74-548B	PISTON KIT
			74-548E	PISTON KIT
			74-548F	PISTON KIT
		419-327-4	306-142	SEAL KIT
			306-142E	SEAL KIT
			328-737	LINING KIT
			74-548B	PISTON KIT
			74-548E	PISTON KIT
			74-548F	PISTON KIT
		419-486-1	306-142	SEAL KIT
			306-142E	SEAL KIT
			328-737	LINING KIT
			74-548B	PISTON KIT
			74-548E	PISTON KIT
			74-548F	PISTON KIT
		419-7894	306-142	SEAL KIT
			306-142E	SEAL KIT
			328-737	LINING KIT
			74-548B	PISTON KIT
			74-548E	PISTON KIT
			74-548F	PISTON KIT
		419-7921	306-143	SEAL KIT
			306-143E	SEAL KIT
			306-345	SEAL KIT
			328-737	LINING KIT
			74-548B	PISTON KIT
			74-548E	PISTON KIT
		419-7950	74-548F	PISTON KIT
			306-142	SEAL KIT
			306-142E	SEAL KIT
			328-737	LINING KIT
			74-548B	PISTON KIT
			74-548E	PISTON KIT
		419-832	74-548F	PISTON KIT
			306-143	SEAL KIT
			306-143E	SEAL KIT
			328-737	LINING KIT
			74-548B	PISTON KIT
			74-548E	PISTON KIT
		419-833	74-548F	PISTON KIT
			306-142	SEAL KIT
			306-142E	SEAL KIT
			328-737	LINING KIT
			74-548B	PISTON KIT
			74-548E	PISTON KIT
	419-7913-1	74-548F	PISTON KIT	
		306-7384	SEAL KIT	
328-737		LINING KIT		
74-548B		PISTON KIT		
74-548E		PISTON KIT		
74-548F		PISTON KIT		
419-7982	306-7020	SEAL KIT		
	328-737	LINING KIT		
	328-737-1	LINING KIT		
	74-548B	PISTON KIT		

BRAKE DESCRIPTION	BRAKE FAMILY	BRAKE ASSEMBLY PART #	KIT & COMPONENT PART #	DESCRIPTION
MEDIUM DUTY CONSTRUCTION SERVICE BRAKE				
Four Piston Brake	AA4	419-7982	74-548E	PISTON KIT
			74-548F	PISTON KIT
		419-386-2	244-731-1	LINING ASSY
			244-731-2	LINING ASSY
			306-161	SEAL KIT
			306-161E	SEAL KIT
			74-694B	PISTON KIT
			74-694F	PISTON KIT
		419-8080	244-731-1	LINING ASSY
			244-731-2	LINING ASSY
			306-161	SEAL KIT
			306-161E	SEAL KIT
	74-694B		PISTON KIT	
	74-694F		PISTON KIT	
	K4	419-350	244-779	LINING ASSY
			306-169	SEAL KIT
			306-169E	SEAL KIT
			74-715B	PISTON KIT
			74-715F	PISTON KIT
			244-779	LINING ASSY
		419-501	306-201	SEAL KIT
			74-715B	PISTON KIT
			74-715F	PISTON KIT
			244-779	LINING ASSY
			306-169	SEAL KIT
			306-169E	SEAL KIT
	419-8262	74-715B	PISTON KIT	
		74-715F	PISTON KIT	
		304-7280	OVERHAUL KIT	
		306-7073	SEAL KIT	
		328-741	LINING KIT	
		74-927B	PISTON KIT	
	M4	419-856	74-927F	PISTON KIT
			304-7280	OVERHAUL KIT
			306-7072	SEAL KIT
			306-7072E	SEAL KIT
			328-7893	LINING KIT
			74-927B	PISTON KIT
		419-8785	74-927F	PISTON KIT
			306-340	SEAL KIT
			306-340E	SEAL KIT
			328-741	LINING KIT
			74-927B	PISTON KIT
			74-927F	PISTON KIT
	419-887	306-7072	SEAL KIT	
		328-741	LINING KIT	
		74-927B	PISTON KIT	
		74-927F	PISTON KIT	
		306-7072	SEAL KIT	
		328-741	LINING KIT	
419-888	74-927B	PISTON KIT		
	74-927F	PISTON KIT		
	9680648	SEAL KIT		
	9640138B	PISTON KIT		
	9640138F	PISTON KIT		
	KIT10113	LINING KIT		
SCL2	9650252	MPS3717	SEAL KIT	
		9680181	SEAL KIT	
		9640138B	PISTON KIT	
		9640138F	PISTON KIT	
		KIT10113	LINING KIT	
		MPS3716	SEAL KIT	
	9650318	9680181	SEAL KIT	
		9640138B	PISTON KIT	
		9640138F	PISTON KIT	
		KIT10113	LINING KIT	
		9680181	SEAL KIT	
		MPS3716	SEAL KIT	

SERVICE BRAKES

SERVICE BRAKES

BRAKE DESCRIPTION	BRAKE FAMILY	BRAKE ASSEMBLY PART #	KIT & COMPONENT PART #	DESCRIPTION
MEDIUM DUTY CONSTRUCTION SERVICE BRAKE				
Four Piston Brake	SCL2	9650414	9680648	SEAL KIT
			96401388	PISTON KIT
			9640138F	PISTON KIT
			KIT10113	LINING KIT
			MPS3717	SEAL KIT
		9650415	9680181	SEAL KIT
			96401388	PISTON KIT
			9640138F	PISTON KIT
			KIT10113	LINING KIT
			MPS3716	SEAL KIT
		9650421	9680181	SEAL KIT
			96401388	PISTON KIT
			9640138F	PISTON KIT
			KIT10113	LINING KIT
		9650447	MPS3716	SEAL KIT
			9680181	SEAL KIT
			9680436	LINING KIT
			96401388	PISTON KIT
			9640138F	PISTON KIT
		419-9053	KIT10113	LINING KIT
			MPS3716	SEAL KIT
			328-7958	LINING KIT ASSY
		SCL21312	9680181	SEAL KIT
			96401388	PISTON KIT
			9640138F	PISTON KIT
			KIT10113	LINING KIT
		SCL2135	MPS3716	SEAL KIT
			9680648	SEAL KIT
			96401388	PISTON KIT
			9640138F	PISTON KIT
		SCL22211	KIT10113	LINING KIT
			MPS3717	SEAL KIT
			328-7958	LINING KIT ASSY
			96401388	PISTON KIT
			9640138F	PISTON KIT
		SCL22216	KIT10113	LINING KIT
			MPS3716	SEAL KIT
			96401388	PISTON KIT
			9640138F	PISTON KIT
		SCL22217	328-7958	LINING KIT ASSY
			96401388	PISTON KIT
			9640138F	PISTON KIT
			KIT10113	LINING KIT
			MPS3717	SEAL KIT
		SCL2225	MPS4072	MAJ OVERHAUL KIT
			9680648	SEAL KIT
			328-7958	LINING KIT ASSY
96401388	PISTON KIT			
9640138F	PISTON KIT			
SCL2241	KIT10113	LINING KIT		
	MPS3717	SEAL KIT		
	9680648	SEAL KIT		
	328-7958	LINING KIT ASSY		
		96401388	PISTON KIT	

BRAKE DESCRIPTION	BRAKE FAMILY	BRAKE ASSEMBLY PART #	KIT & COMPONENT PART #	DESCRIPTION
MEDIUM DUTY CONSTRUCTION SERVICE BRAKE				
Four Piston Brake	SCL2	SCL2241	9640138F	PISTON KIT
			KIT10113	LINING KIT
			MPS3717	SEAL KIT
			9680181	SEAL KIT
			328-7958	LINING KIT ASSY
		SCL2242	96401388	PISTON KIT
			9640138F	PISTON KIT
			KIT10113	LINING KIT
			MPS3716	SEAL KIT
			9680648	SEAL KIT
		SCL2244	2000Y1533	LINING KIT
			96401388	PISTON KIT
			9640138F	PISTON KIT
			KIT10113	LINING KIT
		SCL2261	MPS3717	SEAL KIT
			9680436	LINING KIT
			9680648	SEAL KIT
			96401388	PISTON KIT
			9640138F	PISTON KIT
		SCL2305	MPS3717	SEAL KIT
			328-7958	LINING KIT ASSY
			96401388	PISTON KIT
			9640138F	PISTON KIT
			KIT10113	LINING KIT
		SCL2307	MPS3716	SEAL KIT
			9680648	SEAL KIT
			96401388	PISTON KIT
			9640138F	PISTON KIT
			KIT10113	LINING KIT
		SCL2312	MPS3717	SEAL KIT
			9680436	LINING KIT
			96401388	PISTON KIT
			9640138F	PISTON KIT
		SCL2313	MPS3716	SEAL KIT
			9680436	LINING KIT
			96401388	PISTON KIT
			9640138F	PISTON KIT
			MPS3717	SEAL KIT
		SCL2314	328-7958	LINING KIT ASSY
			96401388	PISTON KIT
			9640138F	PISTON KIT
			MPS3716	SEAL KIT
		SCL2322	9640148	PISTON ASSY
			A93222X2104	ASSY SHOE AND LINING
			KIT10134	SEAL KIT
		SCL33	9650151	SEAL KIT
			9680637	LINING KIT
SCL34	SCL346	SEAL KIT		
	9680622	SEAL KIT		
SCL46	9680675	LINING KIT		
	96401388	PISTON KIT		
	9640138F	PISTON KIT		
	MPS3606	SEAL KIT		
	306-160	SEAL KIT		
Six Piston Brake	H6	419-457-1	306-160E	SEAL KIT
			328-730	LINING KIT
			74-694B	PISTON KIT
			306-166	SEAL KIT
			306-166E	SEAL KIT
		419-496-2	SEAL KIT	

SERVICE BRAKES

SERVICE BRAKES

BRAKE DESCRIPTION	BRAKE FAMILY	BRAKE ASSEMBLY PART #	KIT & COMPONENT PART #	DESCRIPTION
MEDIUM DUTY CONSTRUCTION SERVICE BRAKE				
Six Piston Brake	H6	419-496-2	328-730	LINING KIT
			74-694B	PISTON KIT
		419-658-1	148-525	BRACKET MTG H6
			306-160	SEAL KIT
			306-160E	SEAL KIT
			328-730	LINING KIT
		419-8086	306-7045	SEAL KIT
			328-730	LINING KIT
			74-694B	PISTON KIT
			74-694F	PISTON KIT
		419-8152	306-160	SEAL KIT
			306-160E	SEAL KIT
			328-730	LINING KIT
			74-694B	PISTON KIT
		419-8999	74-694F	PISTON KIT
			306-166	SEAL KIT
			306-166E	SEAL KIT
			328-730	LINING KIT
			74-694B	PISTON KIT
			74-694F	PISTON KIT
	HDB64011	906G-8619	SEAL KIT	
		9680675	LINING KIT	
		9640138B	PISTON KIT	
		9640138F	PISTON KIT	
		KIT10134	SEAL KIT	
	HDB64014	306-7157	SEAL KIT	
		328-7959	LINING KIT	
		9640138B	PISTON KIT	
		9640138F	PISTON KIT	
		KIT10136	MAJ OVERHAUL KIT	
	HDB64016	328-7959	LINING KIT	
		9640138B	PISTON KIT	
		9640138F	PISTON KIT	
	419-402-1	MPS3743	SEAL KIT	
		306-158	SEAL KIT	
		328-730	LINING KIT	
		74-694B	PISTON KIT	
		74-694F	PISTON KIT	
		419-403-1	306-180	SEAL KIT
			328-730	LINING KIT
			74-694B	PISTON KIT
		419-477-1	74-694F	PISTON KIT
			306-159	SEAL KIT
			306-159E	SEAL KIT
			328-730	LINING KIT
	419-664-1	74-694B	PISTON KIT	
		74-694F	PISTON KIT	
		306-232	SEAL KIT	
		306-232E	SEAL KIT	
	419-7896	306-7015	SEAL KIT	
328-730		LINING KIT		
74-694B		PISTON KIT		
74-694F		PISTON KIT		
306-7015		SEAL KIT		

BRAKE DESCRIPTION	BRAKE FAMILY	BRAKE ASSEMBLY PART #	KIT & COMPONENT PART #	DESCRIPTION
MEDIUM DUTY CONSTRUCTION SERVICE BRAKE				
Six Piston Brake	HH6	419-7897	306-7015	SEAL KIT
			328-730	LINING KIT
			74-694B	PISTON KIT
			74-694F	PISTON KIT
		419-8127	306-7045	SEAL KIT
			328-730	LINING KIT
			74-694B	PISTON KIT
		419-8154	74-694F	PISTON KIT
			306-158	SEAL KIT
			328-730	LINING KIT
	419-8166	74-694B	PISTON KIT	
		74-694F	PISTON KIT	
		306-7067	SEAL KIT	
	419-9071-1	328-730	LINING KIT	
		74-694B	PISTON KIT	
		74-694F	PISTON KIT	
		74-694F	PISTON KIT	
	419-2090-4	MH6	306-7151	SEAL KIT
			328-730	LINING KIT
			74-694B	PISTON KIT
74-694F			PISTON KIT	
74-694F			PISTON KIT	
419-665-1	306-2050	SEAL KIT		
	328-730	LINING KIT		
	74-694B	PISTON KIT		
	74-694F	PISTON KIT		
Drum Brake	P Series	BG202410	A63722E603	LINING ASSY
HEAVY DUTY MINING HAULAGE SERVICE BRAKES				
Four Piston Brake	F4	419-7984	116-128B	PISTON ASSY KIT
			244-7806	LINING ASSY
			295-7011	PISTON HSG ASSY
			304-7071	OVERHAUL KIT
			306-197	SEAL KIT
			380-50	KIT SHIM PACK F4
			60-583	SPACER
		419-7985	60-7888	SPACER
			116-128B	PISTON ASSY KIT
			244-7806	LINING ASSY
			295-7004	PISTON HSG ASSY
			306-167	SEAL KIT
			380-50	KIT SHIM PACK F4
			60-583	SPACER
	419-7986	60-7888	SPACER	
		116-128B	PISTON ASSY KIT	
		295-7012	PISTON HSG ASSY	
		306-197	SEAL KIT	
		306-197E	SEAL KIT	
		328-7931	LINING KIT	
		380-50	KIT SHIM PACK F4	
	419-7989	60-583	SPACER	
		60-7888	SPACER	
		116-128B	PISTON KIT	
		306-167	SEAL KIT	
	KIT SHIM PACK F4	328-7931	LINING KIT	
		380-50	KIT SHIM PACK F4	

SERVICE BRAKES

SERVICE BRAKES

BRAKE DESCRIPTION	BRAKE FAMILY	BRAKE ASSEMBLY PART #	KIT & COMPONENT PART #	DESCRIPTION
HEAVY DUTY MINING HAULAGE SERVICE BRAKES				
Four Piston Brake	F4	419-7989	60-583	SPACER
			60-7888	SPACER
		419-8184	244-7806	LINING ASSY
			295-7011	PISTON HSG ASSY
			306-197	SEAL KIT
			306-197E	SEAL KIT
			380-50	KIT SHIM PACK F4
			60-583	SPACER
		419-8185	60-7888	SPACER
			295-7012	PISTON HSG ASSY
			304-7072	OVERHAUL KIT
			306-197	SEAL KIT
			306-197E	SEAL KIT
			328-7931	LINING KIT
	380-50		KIT SHIM PACK F4	
	60-583		SPACER	
	FF4	419-7981	60-7888	SPACER
			116-128B	PISTON ASSY KIT
			304-7013	OVERHAUL KIT
			306-7026	SEAL KIT
	PD1425	PD1425911	328-7931	LINING KIT
			380-50	SHIM PACK KIT F4
			60-7888	SPACER
		PD1425912	9604874	PIN ASSY RETAINER
			A2230E1175B	PISTON KIT
		PD1425914	MPS3445	LINING KIT
			MPS3615	SEAL KIT
		PD1425916	9604874	PIN ASSY RETAINER
			A2230E1175B	PISTON KIT
			MPS3615	SEAL KIT
	9604874		PIN ASSY RETAINER	
	9640391		SHOE ASSY	
	A2230E1175B		PISTON KIT	
	MPS3615		SEAL KIT	
	PD1425917	MPS3813	PISTON ASSY KIT	
		9604874	PIN ASSY RETAINER	
		2000Q1525	LINING KIT	
	PD1425918	A2230E1175B	PISTON KIT	
		MPS3962	SEAL KIT	
		MPS3963	OVERHAUL KIT	
	SCL53	SCL5321	9604874	PIN ASSY RETAINER
			9640391	SHOE ASSY
			A2230E1175B	PISTON KIT
			2000Q1525	LINING KIT
	SCL59	9650364	A2230E1175B	PISTON KIT
			MPS3962	SEAL KIT
			MPS3963	OVERHAUL KIT
9640312F			PISTON KIT	
419-9384		MPS3915	OVERHAUL KIT	
		306-7198	SEAL KIT	
SCL593		9680566	LINING KIT	
		9680181	SEAL KIT	
		2000P1472	LINING KIT	
		9640312F	PISTON KIT	
		MPS3915	OVERHAUL KIT	

BRAKE DESCRIPTION	BRAKE FAMILY	BRAKE ASSEMBLY PART #	KIT & COMPONENT PART #	DESCRIPTION
HEAVY DUTY MINING HAULAGE SERVICE BRAKES				
Four Piston Brake	SCL59	SCL594	9680648	SEAL KIT
			2000P1472	LINING KIT
Six Piston Brake	SCL62	9650371	9640312F	PISTON KIT
			2000T1502	LINING KIT
	FF6	419-8159	304-7069	OVERHAUL KIT
			306-7139	SEAL KIT
			380-7214	PARTS KIT
			306-336	SEAL KIT
			32-7630	CAP PISTON
			328-761	LINING KIT
	419-8868	419-8868	74-710B	PISTON KIT
			74-710F	PISTON KIT
			244-7842	LINING ASSY
			306-231	SEAL KIT
			32-7630	CAP PISTON
			74-710B	PISTON KIT
			74-710F	PISTON KIT
			306-7087	SEAL KIT
	419-8870	419-8870	32-7630	CAP PISTON
			74-710B	PISTON KIT
			74-710F	PISTON KIT
			306-7060	SEAL KIT
	419-8871	419-8871	306-7060E	SEAL KIT
			32-7630	CAP PISTON
			328-761	LINING KIT
			74-710B	PISTON KIT
			74-710F	PISTON KIT
			306-231	SEAL KIT
	419-8873	419-8873	306-231E	SEAL KIT
			32-7630	CAP PISTON
			328-761	LINING KIT
			74-710B	PISTON KIT
	419-8942	419-8942	74-710F	PISTON KIT
			244-7842	LINING ASSY
			306-7127	SEAL KIT
			32-7630	CAP PISTON
			74-710B	PISTON KIT
			74-710F	PISTON KIT
	419-787-3	419-787-3	304-7059	OVERHAUL KIT
			306-7055	SEAL KIT
			306-7055E	SEAL KIT
			328-733	LINING KIT
			74-927B	PISTON KIT
			306-339	SEAL KIT
	419-787-4	419-787-4	306-339E	SEAL KIT
			328-733	LINING KIT
			74-927B	PISTON KIT
			306-339	SEAL KIT
	419-7975-1	419-7975-1	306-339E	SEAL KIT
328-742			LINING KIT	
74-927B			PISTON KIT	
306-339			SEAL KIT	
419-7975-2	419-7975-2	306-339E	SEAL KIT	
		328-742	LINING KIT	
		74-927B	PISTON KIT	
		306-339E	SEAL KIT	
419-8002	419-8002	328-742	LINING KIT	
		74-927B	PISTON KIT	
		304-7059	OVERHAUL KIT	
		306-7055	SEAL KIT	
		306-7055E	SEAL KIT	

SERVICE BRAKES

SERVICE BRAKES

BRAKE DESCRIPTION	BRAKE FAMILY	BRAKE ASSEMBLY PART #	KIT & COMPONENT PART #	DESCRIPTION	
HEAVY DUTY MINING HAULAGE SERVICE BRAKES					
Six Piston Brake	M6	419-8002	328-733	LINING KIT	
			74-927B	PISTON KIT	
		419-8081	306-7044	SEAL KIT	
			328-742	LINING KIT	
			74-927B	PISTON KIT	
		419-8094	74-927F	PISTON KIT	
			244-7850-1	LINING ASSY	
			244-7850-2	LINING ASSY	
			306-7052	SEAL KIT	
			74-927B	PISTON KIT	
		419-8102	74-927F	PISTON KIT	
			306-7054	SEAL KIT	
			328-733	LINING KIT	
			74-927B	PISTON KIT	
		419-8117	74-927F	PISTON KIT	
			304-7037	OVERHAUL KIT	
			306-7055	SEAL KIT	
			306-7055E	SEAL KIT	
		419-8164	328-742	LINING KIT	
			74-927B	PISTON KIT	
			74-927F	PISTON KIT	
			304-7059	OVERHAUL KIT	
		419-8248	306-7055	SEAL KIT	
			306-7055E	SEAL KIT	
			328-733	LINING KIT	
			74-927B	PISTON KIT	
		SCL19	419-9087	74-927F	PISTON KIT
				2000Q1525	LINING KIT
				304-7165	CROSSOVER TUBE KIT
			SCL1925	96402058	PISTON KIT
				MPS3603	BRK KIT
				9680176	SEAL KIT
			SCL1926	2000Q1525	LINING KIT
				96402058	PISTON KIT
				9680176	SEAL KIT
			SCL1927	9680177	HARDWARE KIT
				96402058	PISTON KIT
				2000Q1525	LINING KIT
		SCL56	419-9185	96402058	PISTON KIT
				MPS3603	BRK KIT
				9680176	SEAL KIT
			SCL5625	304-7290	OVERHAUL KIT
				328-7933	LINING KIT
				96402058	PISTON KIT
			SCL5628	9680176	SEAL KIT
96402058	PISTON KIT				
MPS4069	OVERHAUL KIT				
SCL5631	MPS4070		BRK KIT		
	2000Q1525		LINING KIT		
	96402058		PISTON KIT		
	KIT10147	SEAL KIT			
A2230W1219	9604874	PIN ASSY RETAINER			
	9680176	SEAL KIT			
	2000Q1525	LINING KIT			

BRAKE DESCRIPTION	BRAKE FAMILY	BRAKE ASSEMBLY PART #	KIT & COMPONENT PART #	DESCRIPTION		
INDUSTRIAL SERVICE BRAKE						
Two Piston Brake	Single Piston Brake	PD1019	9630017	2000H1516	LINING KIT	
			9630083	9640023	PISTON ASSY	
	PD1105	9640028	2000K1519	LINING KIT		
			9630077	PISTON ASSY		
		PD1182	2000K1519	LINING KIT		
			9620798	PISTON ASSY		
			9640394	2000M1521	LINING KIT	
			9640997	2000M1521	KIT LINING	
	PD1314	9630433	MPS3463	KIT LINING		
		PD1344	9640332	2000U1503	LINING KIT	
	PD1428	9630631	MPS3905	OVERHAUL KIT		
			9604874	PIN ASSY RETAINER		
	PD1433	419-9267	MPS3902	OVERHAUL KIT		
			2000R1526	LINING KIT		
		PD1473	9640744	2264U1009	DUST SHIELD	
				2000R1526	LINING KIT	
	Mechanical Park Brake	Lever	419-7993	2264U1009	DUST SHIELD	
				9604874	PIN ASSY RETAINER	
9630905			9680213	HARDWARE KIT		
			9604874	PIN ASSY RETAINER		
PD147351			9630905	PISTON		
			112-7007	CAM		
Hydraulic Drum Brake		DSH	DSH1252537	306-7030	SEAL KIT	
				328-7841	LINING KIT	
				DSH1252523	A3236M2353	BACKING PLATE ASSY
				DSH1252524	A3236M2353	BACKING PLATE ASSY
			DSH1252538	DSH1252527	A3236M2353	BACKING PLATE ASSY
				DSH1252528	A3236M2353	BACKING PLATE ASSY
Backing Plate	FSH	FSH12258	304-7296	KIT LEVER ASSY LH		
			A3236M2353	BACKING PLATE ASSY		
			MPS2867	WHL KIT LH STAR		
			MPS2960	SPRING KIT - RETURN		
		FSH12263	304-7297	KIT LEVER ASSY LH		
			A3236M2353	BACKING PLATE ASSY		
	Hydraulic Control	FSH	A43722D134	MPS2868	WHL KIT RH STAR	
				MPS2960	SPRING KIT - RETURN	
			A83736H112	A43722D134	BRK SHOE ASSY	
				KIT9112	BACKING PLATE	
			KIT9112	A43722D134	BRK SHOE ASSY	
				KIT9112	BRK KIT	

COMBO BRAKE

MEDIUM DUTY CONSTRUCTION SERVICE BRAKE

COMBINATION PARK AND SERVICE BRAKE

107 | SCL8

HEAVY DUTY MINING HAULAGE SERVICE BRAKES

COMBINATION PARK AND SERVICE BRAKE

107 | HDHC4225

EXPANDER TUBE

INDUSTRIAL SERVICE BRAKE

EXPANDER TUBE BRAKE

107 | Drum

FEATURED PRODUCT

HDHC4225 SERIES COMBINATION PARK AND SERVICE CALIPER BRAKE AND OVERHAUL KIT



BRAKE DESCRIPTION	BRAKE FAMILY	BRAKE ASSEMBLY PART #	KIT & COMPONENT PART #	DESCRIPTION		
MEDIUM DUTY CONSTRUCTION SERVICE BRAKE						
Combination Park and Service Brake	SCL8	SCL852	9630256	LINING ASSY		
			MPS3945	SEAL KIT		
		SCL861	9604874	PIN ASSY RETAINER		
			9630054	PISTON SUB-ASSY		
			9630055	CAP SUB-ASSY SPRING RET		
			9630234	LINING ASSY		
9630905	PISTON					
9640202	LINING ASSY					
HEAVY DUTY MINING HAULAGE SERVICE BRAKES						
Combination Park and Service Brake	HDHC4225	419-9109	9604874	PIN ASSY RETAINER		
			304-7163	KIT PARTS CROSSOVER TUBE		
			304-7192	HDHC4225 PARK, PISTON		
			304-7252	SPRING KIT HDHC		
			304-7255	BRK KIT		
			3107S1189	COLLAR FIN		
			328-7901	LINING KIT		
			A2230E1227	PISTON ASSY		
			A2230E1227B	PISTON ASSY KIT		
			A3196Q1109	TUBE ASSY		
			KIT10135	SEAL KIT		
			9604874	PIN ASSY RETAINER		
		304-7163	KIT PARTS CROSSOVER TUBE			
		306-7159	SEAL KIT			
		3107S1189	COLLAR FIN			
		328-7901	LINING KIT			
		A2230E1227B	PISTON ASSY KIT			
		A3196Q1109	TUBE ASSY			
		9604874	PIN ASSY RETAINER			
		304-7163	KIT PARTS CROSSOVER TUBE			
		304-7286	PISTON KIT			
		304-7287	BRK KIT			
		306-7162	SEAL KIT			
		3107S1189	COLLAR FIN			
		328-7932	LINING KIT			
		A2230E1227	PISTON ASSY			
		A3196Q1109	TUBE ASSY			
		9604874	PIN ASSY RETAINER			
		2000Q1525	LINING KIT			
		304-7164	CROSSOVER TUBE KIT			
		A2230E1227	PISTON ASSY			
		A2230E1227B	PISTON KIT			
		419-9152	HDHC4225	419-9186	9604874	PIN ASSY RETAINER
					304-7163	KIT PARTS CROSSOVER TUBE
					304-7286	PISTON KIT
					304-7287	BRK KIT
306-7162	SEAL KIT					
3107S1189	COLLAR FIN					
328-7932	LINING KIT					
A2230E1227	PISTON ASSY					
A3196Q1109	TUBE ASSY					
9604874	PIN ASSY RETAINER					
2000Q1525	LINING KIT					
304-7164	CROSSOVER TUBE KIT					
A2230E1227	PISTON ASSY					
A2230E1227B	PISTON KIT					
HDHC422515	HDHC4225	HDHC422515	9604874	PIN ASSY RETAINER		
			2000Q1525	LINING KIT		
			304-7164	CROSSOVER TUBE KIT		
			A2230E1227	PISTON ASSY		
			A2230E1227B	PISTON KIT		

EXPANDER TUBE						
INDUSTRIAL SERVICE BRAKE						
Expander Tube Brake	Drum	2-1229-1	328-71-1	LINING KIT		
			397-5	ET & SHIELD ASSY 20		
			59-52-1	FRAME ASSY 20 1/4X5		
		2-1341-1	Drum	2-1341-1	598-5	PACK LINING
					397-16	ET & SHIELD ASSY 22x5
					598-1	PACK LINING
		2-1374-1	Drum	2-1374-1	59-90	FRAME ASSY 22X5
					397-4	ET & SHIELD ASSY 26x5
					59-135	FRAME ASSY 26X5
					598-11	PACK LINING

HYDRAULICS



CARLISLE HYDRAULIC CONTROL PRODUCTS

- 110-112 | Standard & Boosted Master Cylinders
- 112 | Booster Benefits
- 113 | Compact Twin Booster
- 114 | Compact Single Booster
- 115 | Midi Twin Booster
- 116 | Tandem Twin Booster
- 117 | Tandem Single Booster
- 118 | Master Cylinder
- 119 | Product Overview
- 120 | Hydraulic Control Valves
- 121 | Automatic Hydraulic Slack Adjusters
- 122 | 1100 Series
- 123 | 2100 Series
- 124 | Dual Circuit Adjusters
- 125 | Single Circuit Adjusters

Wet Friction

On-HWY Brake Pads

On-HWY Buttons

Park Brakes

Service Brakes

Combo Brakes

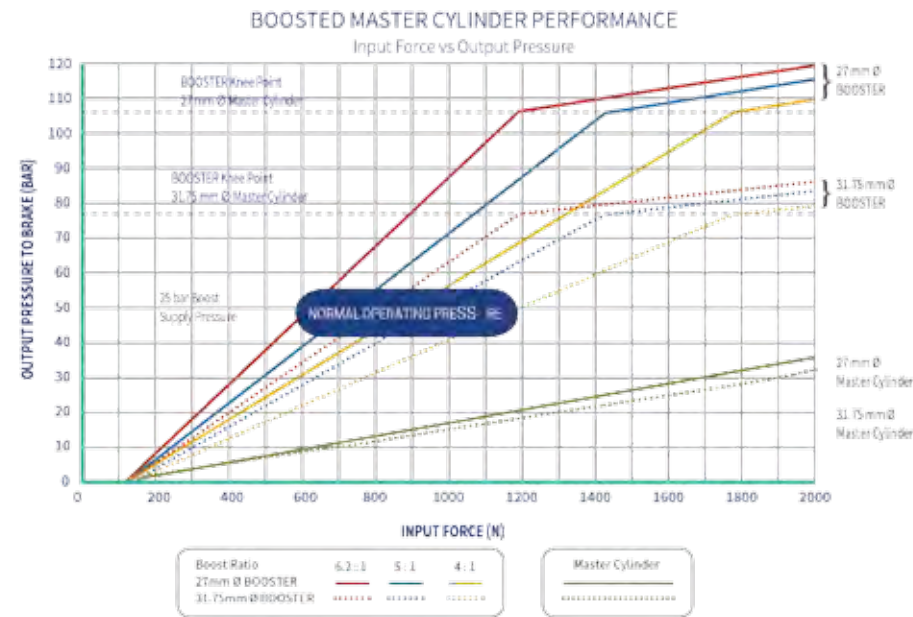
Hydraulic Control

WHY USE A BOOSTED MASTER CYLINDER (BOOSTER) INSTEAD OF A STANDARD MASTER CYLINDER?

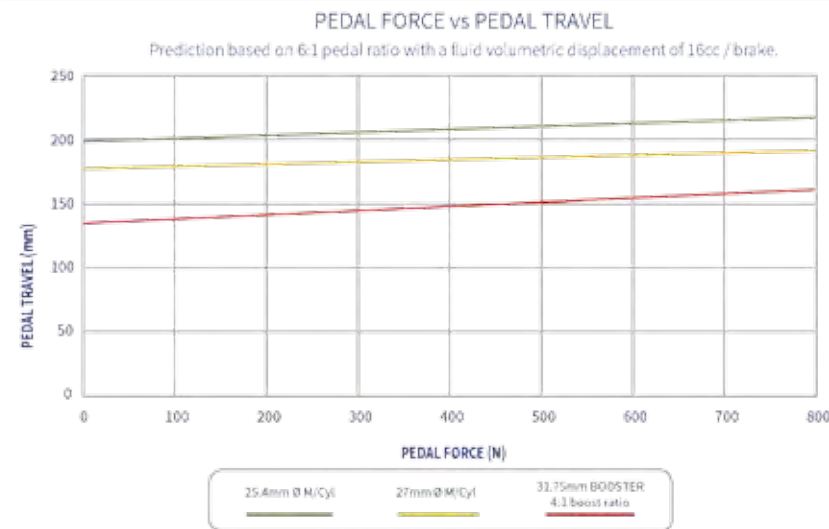
Boosters Provide Higher Output Pressure to the Brake System, Resulting in...

- A significant reduction in pedal effort and pedal travel to achieve the required operating pressure at the brake
- A progressive and controllable braking response offering improved cabin ergonomics and enhanced operator comfort
- A more efficient method of applying the brakes on Off-Highway vehicles

BOOSTERS require much less input force to achieve Normal Operating Pressure



To achieve the same Pedal Force a Carlisle BOOSTER requires much less pedal travel than a standard master cylinder



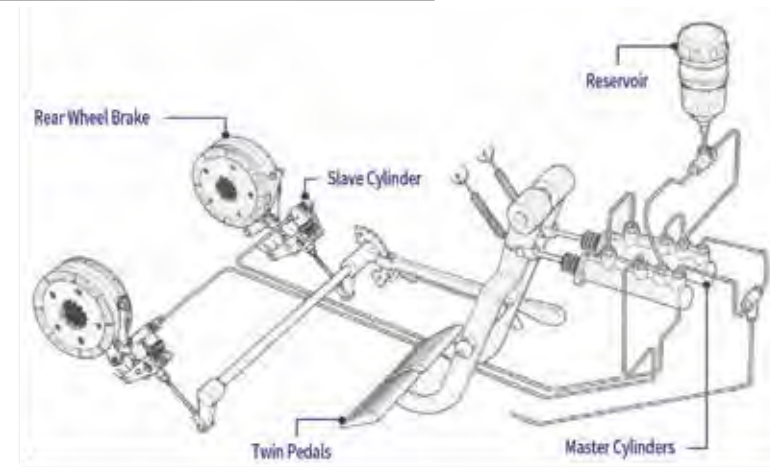
EXPORT PRODUCT AND TECHNOLOGY TRENDS



- Drivers demand 'Luxury Car' performance from brake & clutch systems for Off-Highway vehicles
- Increasing horsepower, speed and weight requirements in Europe & North America have led to:
- Truck legislation imposed on vehicles operating at > 50kph
- Increasing brake running clearance reduces brake drag, resulting in improved fuel efficiency and lower operating costs
- Braking required on all four wheels
- Balanced braking across axles

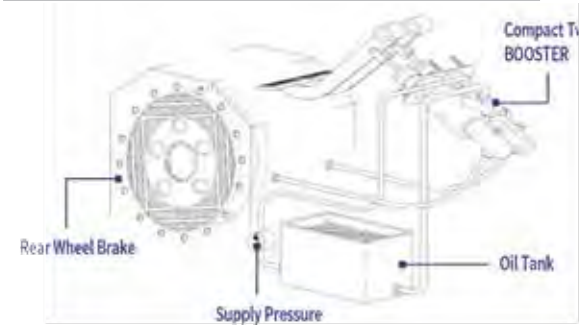
BRAKE SYSTEM DIAGRAMS

TYPICAL TRACTOR BRAKING SYSTEM

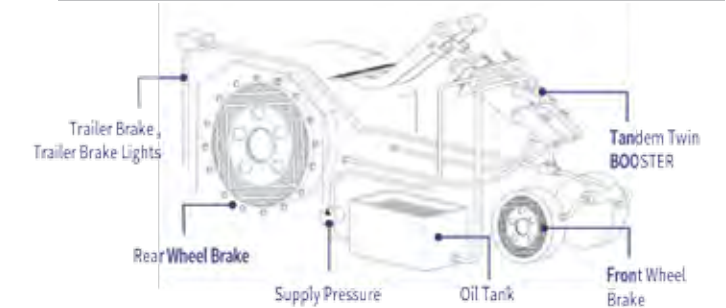


Most tractor brake systems use MINERAL oil, but some use VEGETABLE (Glycol) synthetic fluid as used by passenger cars — it is very important that the seals of either are not mixed.

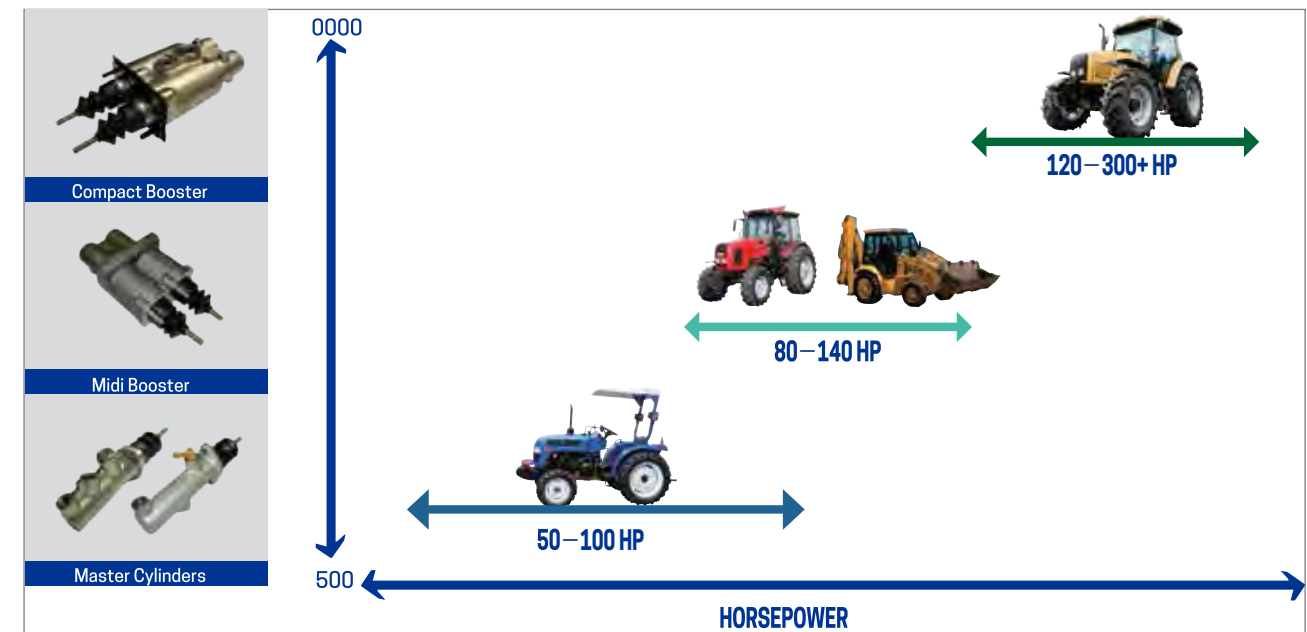
CARLISLE TWIN BOOSTER APPLICATION



CARLISLE TANDEM TWIN BOOSTER APPLICATION



APPLICATION RANGES



BENEFITS OF A CARLISLE BOOSTER

Comfort & Safety 

- A wide range of boost ratios and master cylinder diameters can be used to tailor the performance to meet the customer's exact requirements
- Provide a progressive and controllable braking response by optimising the "pedal feel" and improving driver comfort and cabin ergonomics
- Use of **PTFE seal technology** provides high wear resistance and extended durability life. One million cycles achieved with no deterioration of product
- Self-bleed feature allows any air ingress in the master cylinders to be vented to the tank chamber during normal operation
- No additional reservoir required: The master cylinder and BOOSTER use a common oil supply thus preventing the cross contamination of fluids or potential ingress of debris
- Significant reduction in warranty issues
- Closed center BOOSTER design minimizes oil usage
- Uses the existing vehicle power hydraulic system to provide servo assist to the master cylinder
- Patented design for twin or single pedal brake systems
- Significant cost advantage compared to Power Valve products
- Ease of installation — only four hydraulic connections required
- Various mounting plate and push rod options available



COMPACT TWIN BOOSTER



COMPACT SINGLE BOOSTER



MIDI TWIN BOOSTER



TANDEM TWIN BOOSTER



TANDEM SINGLE BOOSTER



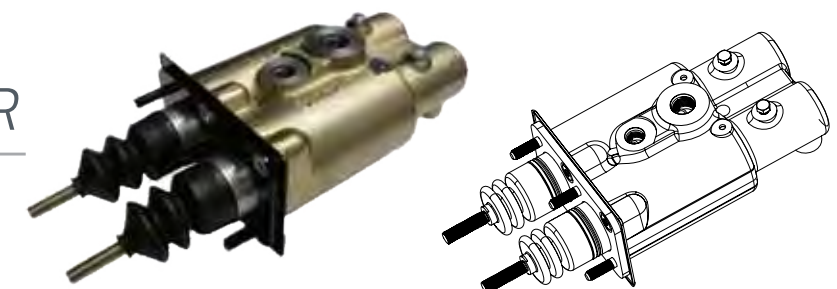
MASTER CYLINDER

COMPACT TWIN BOOSTER

Patented closed circuit design with integrated master cylinder BOOSTER and reservoir in a single component

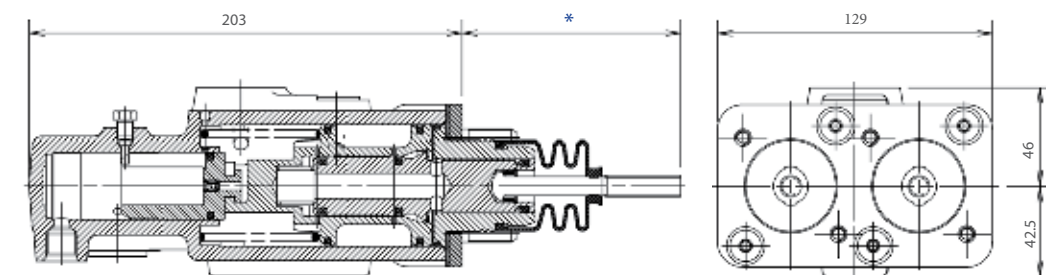
- Patented design for mineral oil twin pedal braking systems providing a boosted, progressive pedal feel
- Generic design enables performance to be easily matched to most agricultural and industrial vehicle applications
- Self-bleed design keeps BOOSTER purged of any ingressed air
- **PTFE seal technology** ensures extended service life
- No reservoir required — uses supply oil for braking systems
- Range of metric or imperial ports — to international standards — available
- Large variety of pushrod lengths and thread sizes available *
- Clevis options available to suit customer requirements

COMPACT TWIN BOOSTER



Specifications

Body Length	Less than 205 mm	Range of Diameters	25.4 mm to 57 mm
Oil	Mineral Oil	Supply Pressure	15 bar to 40 bar
Tested to	1,000,000 Cycles	Minimum Flow Rate	10 L/min
BOOSTER Ratio	2.65, 4, 5 and 6.2:1	Operation Temperature	-30°C to 100°C



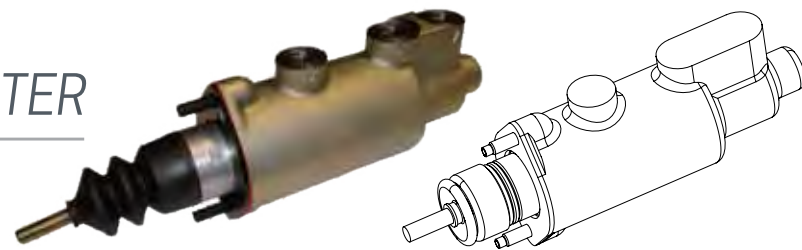
COMPACT SINGLE BOOSTER

MIDI TWIN BOOSTER

Patented closed circuit design with integrated master cylinder, BOOSTER and reservoir in a single component

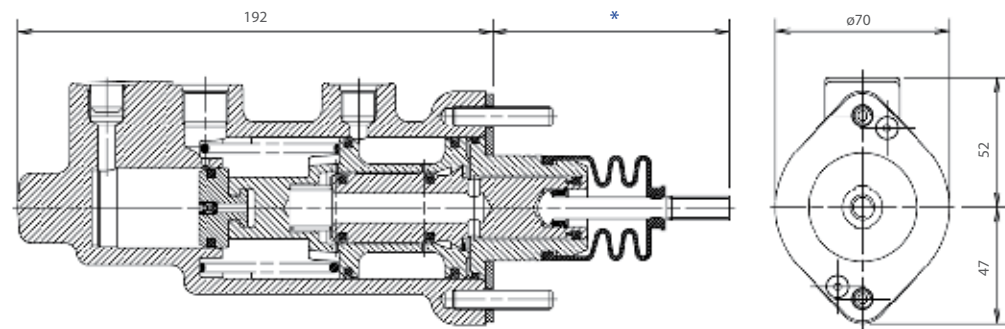
- Patented design for mineral oil single pedal braking systems, providing a boosted, progressive pedal feel
- Ideal for clutch applications
- Generic design enables performance to be easily matched to most agricultural and industrial vehicle applications
- Self-bleed design keeps BOOSTER purged of any ingressed air
- **PTFE seal technology** ensures extended service life
- No reservoir required — uses supply oil for braking or clutch systems
- Range of metric or imperial ports — to international standards — available
- Large variety of pushrod lengths and thread sizes available *
- Clevis options available to suit customer requirements

COMPACT SINGLE BOOSTER



Specifications

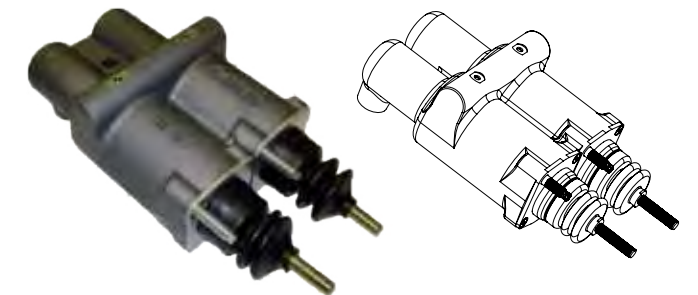
Body Length	Less than 200 mm	Range of Diameters	25.4 mm to 41 mm
Oil	Mineral Oil	Supply Pressure	15 bar to 40 bar
Tested to	1,000,000 Cycles	Minimum Flow Rate	10 L/min
BOOSTER Ratio	2.65, 4, 5 and 6.2:1	Operation Temperature	-30°C to 100°C



Simplified design reduced weight and smaller size give cost advantages over larger BOOSTERS in the Carlisle BOOSTER family

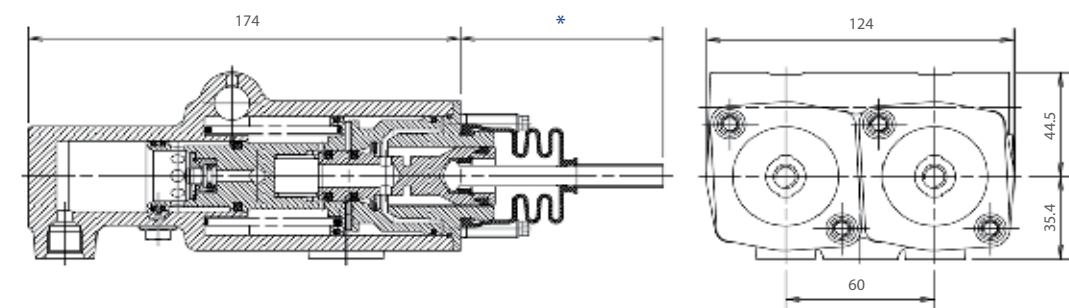
- Patented design for mineral oil twin pedal braking systems providing a boosted, progressive pedal feel
- Generic design enables performance to be easily matched to most agricultural and industrial applications
- Self-bleed design keeps BOOSTER purged of any ingressed air
- **PTFE seal technology** ensures extended service life
- No reservoir required — uses supply oil for braking systems
- Range of metric or imperial ports — to international standards — available
- Large variety of pushrod lengths and thread sizes available *
- Clevis options available to suit customer requirements

MIDI TWIN BOOSTER



Specifications

Body Length	Less than 175 mm	Supply Pressure	15 bar to 40 bar
Oil	Mineral Oil	Minimum Flow Rate	10 L/min
Tested to	1,000,000 Cycles	Operation Temperature	-30°C to 100°C
BOOSTER Ratio	3, 4 and 5:1	Vehicle Horsepower*	80 HP to 130 HP
Range of Diameters	25.4 mm to 30 mm		



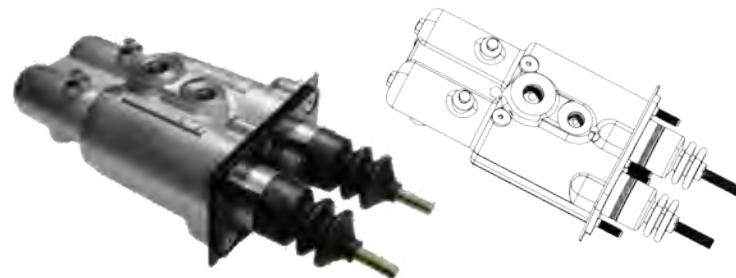
TANDEM TWIN BOOSTER

BRAKING CAPABILITIES:

- Pressure Balanced
- Independent
- Dual-circuit
- Designed for twin pedal vehicles with four independent brakes
- Trailer brake option

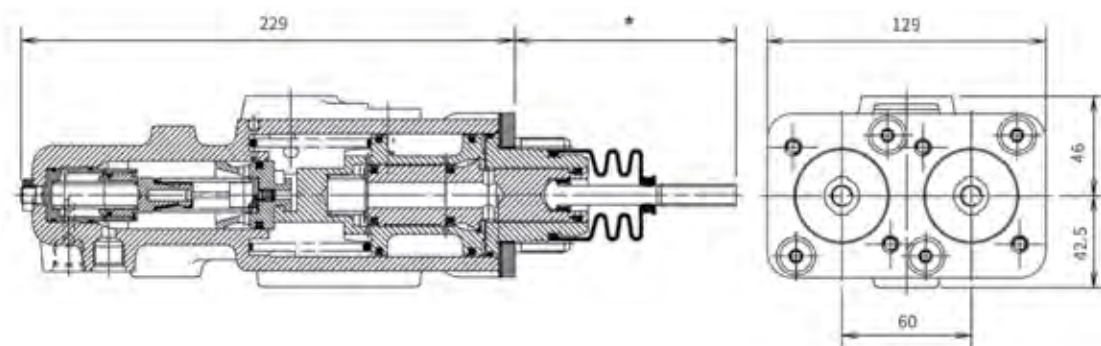
- Patented design for mineral oil twin pedal braking systems providing a boosted, progressive pedal feel
- Generic design enables performance to be easily matched to most agricultural and industrial applications
- Self-bleed design keeps BOOSTER purged of any ingressed air
- **PTFE seal technology** ensures extended service life
- No reservoir required — uses supply oil for braking systems
- Range of metric or imperial ports — to international standards — available
- Large variety of pushrod lengths and thread sizes available *
- Clevis options available to suit customer requirements

TANDEM TWIN BOOSTER



Specifications

Body Length	Less than 230 mm	Range of Diameters	25.4 mm to 35 mm
Oil	Mineral Oil	Supply Pressure	15 bar to 40 bar
Tested to	1,000,000 Cycles	Minimum Flow Rate	10 L/min
BOOSTER Ratio	2.65, 4.5 and 6.1	Operation Temperature	-30°C to 100°C



TANDEM SINGLE BOOSTER

BRAKING CAPABILITIES:

- Independent
- Dual-circuit
- Designed for single pedal vehicles with split circuit braking

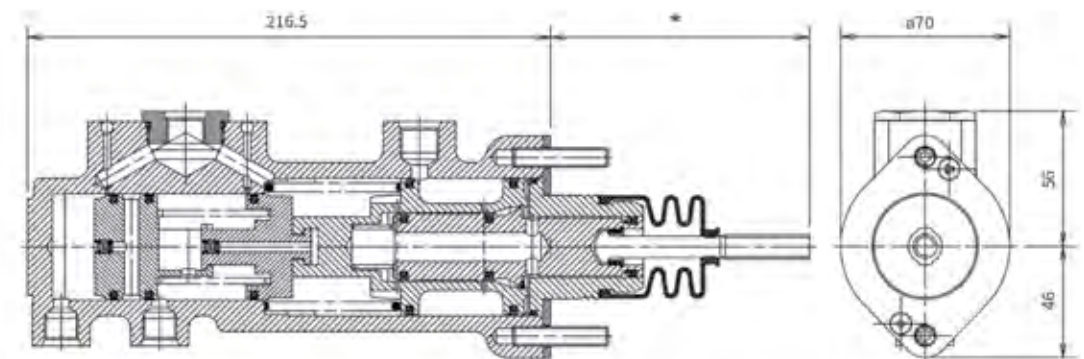
- Patented design for mineral oil single pedal braking systems providing a boosted, progressive pedal feel
- Generic design enables performance to be easily matched to most agricultural and industrial applications
- Self-bleed design keeps BOOSTER purged of any ingressed air
- **PTFE seal technology** ensures extended service life
- No reservoir required — uses supply oil for braking systems
- Range of metric or imperial ports — to international standards — available
- Large variety of pushrod lengths and thread sizes available *
- Clevis options available to suit customer requirements

TANDEM SINGLE BOOSTER



Specifications

Body Length	Less than 220 mm	Range of Diameters	25.4 mm to 44 mm
Oil	Mineral Oil	Supply Pressure	15 bar to 40 bar
Tested to	1,000,000 Cycles	Minimum Flow Rate	10 L/min
BOOSTER Ratio	3, 4 and 5:1	Operation Temperature	-30°C to 100°C



MASTER CYLINDERS

FEATURES:

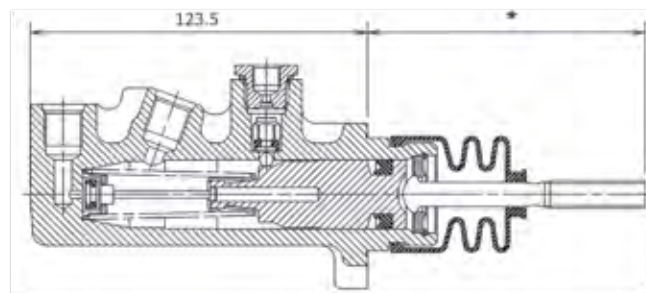
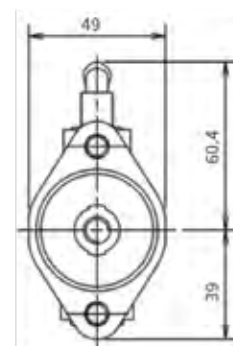
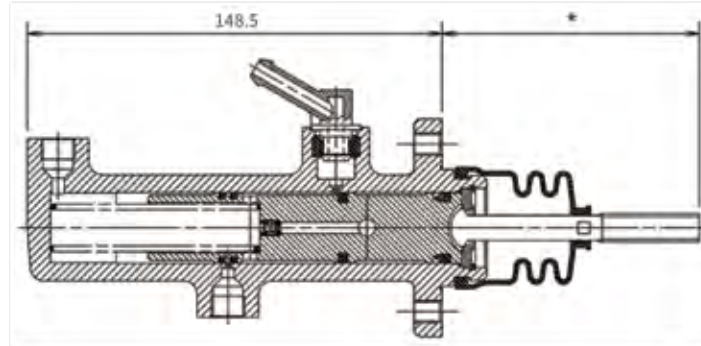
- Designs for single and twin pedal applications
- Twin pedal cylinders feature proven compensation design for dual circuit pressure balance
- New self-bleed design features PTFE sealing for improved life and continuous air expulsion
- Designed to meet a range of operating pressures and temperatures
- Large variety of pushrod lengths and thread sizes *
- Range of metric or imperial ports — to international standards — available
- Clevis options available to suit customer requirements

MASTER CYLINDERS



Specifications

Oil	Mineral and Glycol (DOT3, 4)	Range of Diameters	15.8 mm to 31.75 mm
-----	------------------------------	--------------------	---------------------



	COMPACT TWIN BOOSTER	COMPACT SNGL BOOSTER	MIDI TWIN BOOSTER	TANDEM TWIN BOOSTER	TANDEM SNGL BOOSTER	MASTER CYLINDER
BOOSTER Capability	Integrated	Integrated	Integrated	Integrated	Integrated	Requires separate system
Boost Ratio Available	2.6, 4.0, 5.0 and 6.2:1	2.6, 4.0, 5.0 and 6.2:1	3.2, 4.0 and 5.2:1	2.6, 4.0, 5.0 and 6.2:1	3, 4 and 5:1	Not Applicable
Master Cyl Diameter	27.0, 31.75 and 57.0	31.75, 35.0 and 41.0	25.4, 27.0 and 30.0	35	25.4 and 44	15.8, 19.0, 22.2, 25.4 and 27.0
Master Cyl Stroke	35.0 and 30.0	35	35	35	17.5 / 17.5	35
Master Cyl Displacement Available (cc)	20.0, 27.0 and 76.0	27.0, 33.0 and 45.0	15.1, 17.1 and 21.1	Variable, dependant on Front / Rear requirements	24.3 / 24.3	6.85, 9.91, 13.05, 17.75 and 20.02
Compensation Available (%)	25% to 50% and 100%	N/A	100% only	Variable, dependant on Front / Rear requirements	N/A	N/A
Length mm	202	192	175	230	220	Various
Closed Circuit	✓	✓	✓	✓	✓	✗
Reservoir Required	✗	✗	✗	✗	✗	✓
Closed Center	✓	✓	✓	✓	✓	✗
Simple Installation	✓	✓	✓	✓	✓	✓
Steer Turn Facility	✓	✗	✓	✓	✗	✗
Modular Design	✓	✓	✓	✓	✓	✗
Reduced System Complexity	✓	✓	✓	✓	✓	✗
Self-Bleed	✓	✓	✓	✓	✓	✗
Glycol (DOT4) / Mineral Oil	Mineral	Mineral	Mineral	Mineral	Mineral	Mineral / Glycol (DOT4)

1100 SERIES VALVE

1100 SERIES VALVE

DESCRIPTION

The Carlisle single and tandem circuit modulating hydraulic control valves are made of ductile cast iron bodies. The valves are capable of providing modulating output pressures to a maximum 3,500 psi (24,133 kPa).

FEATURES

- Flow capabilities exceed competitive designs
- Spool design provides smooth modulation at all output pressures
- Externally adjustable to provide precise pressure settings
- Rugged construction for most severe job applications
- Thoroughly tested to ensure superior performance and durability

APPLICATION

- Hydraulically actuated, single and tandem circuit braking and industrial systems where high quality, precise modulation is required



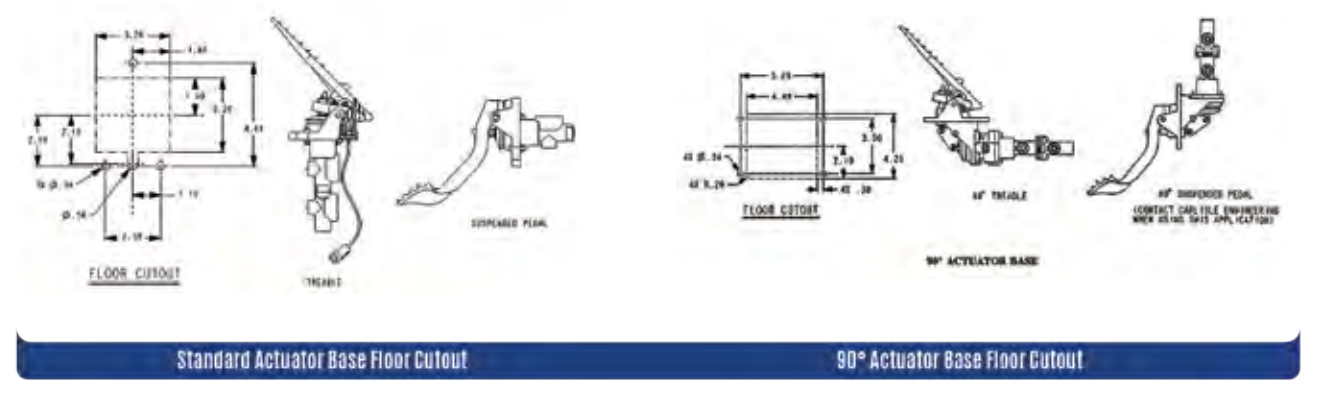
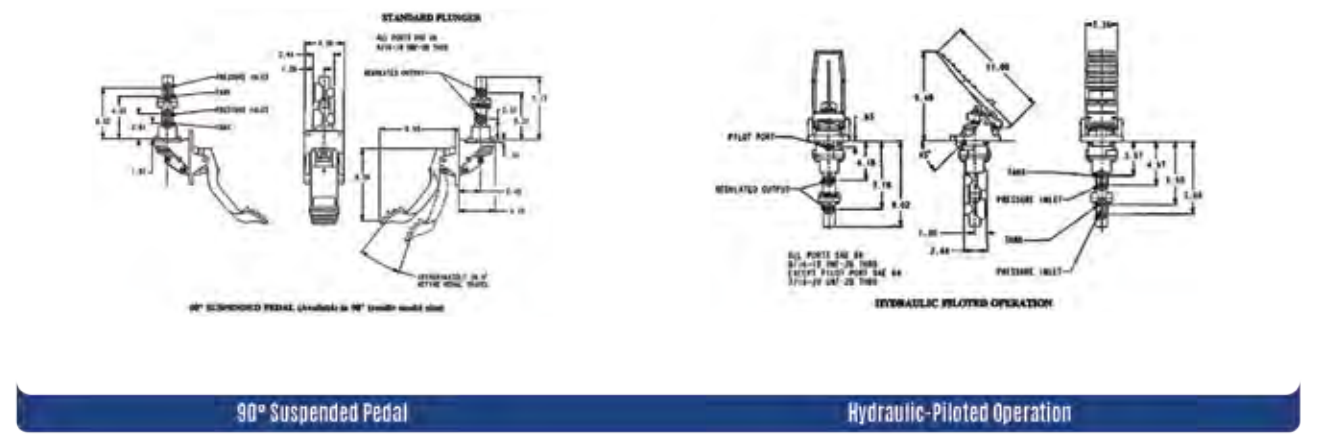
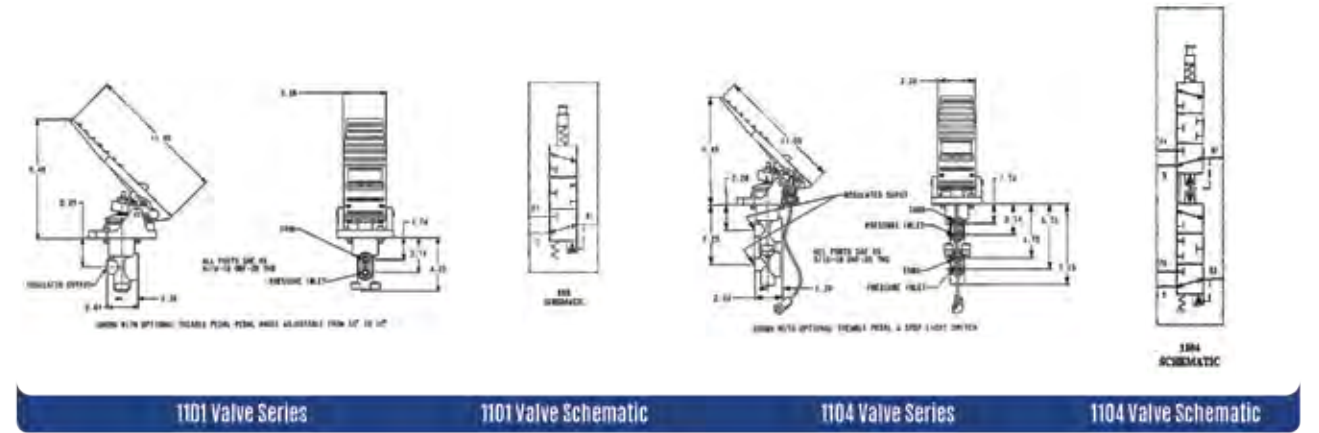
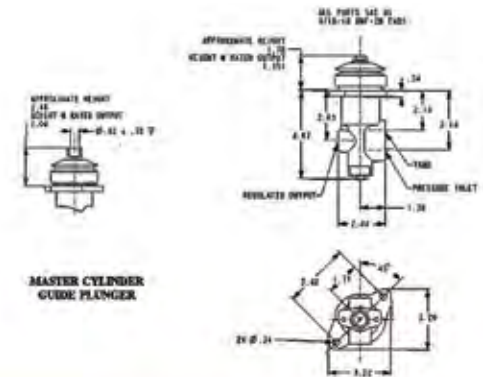
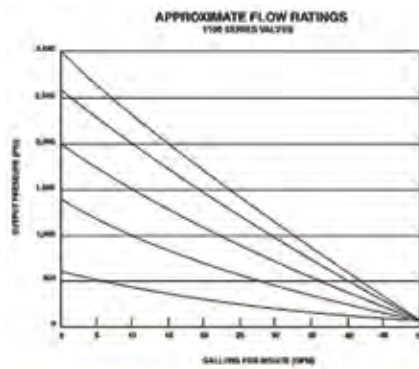
Options

- Vertical and horizontal treadle actuator with adjustable pedal angle and pedal travel
- Horizontally mounted suspended pedal actuator
- 90° porting orientation intervals for vertically mounted valves
- 180° porting orientation intervals for horizontally mounted treadle valves
- Hydraulic pilot apply
- Pressure-adjustable stoplight switch for mobile applications
- Heavy or medium pedal force selection
- SAE porting
- Staged pressure rise for precise control

Specifications

Body Material: Ductile iron
 Seal Material: Nitroxile® compound
 Maximum Input Pressure: 3,500 psi (24,133 kPa)
 Maximum Output Pressure: 3,500 psi (24,133 kPa)

DRAWINGS



Input / Output Performance Curve, Master Cylinder Guide Plunger

Standard Actuator Base Floor Cutout, 90° Actuator Base Floor Cutout

2100 SERIES VALVE

2100 SERIES VALVE

DESCRIPTION

The Carlisle single circuit (2101) and parallel (2102) circuit, modulating hydraulic control valves are capable of providing modulating output pressures in a range of 600 psi - 3,500 psi (4,137 kPa to 24,133 kPa).

FEATURES

- Spool sleeve design allows for easy serviceability and reduced maintenance costs
- Spool design provides smooth modulation at all output pressures
- Valve is externally adjustable to provide precise pressure settings
- Large supply and return ports provide high flow capabilities
- Standard pilot apply (optional on the 2101 series)
- Rugged construction and thorough testing ensure superior performance
- Pedal angle fully adjustable
- Dampened spools for stable noise control



APPLICATION

- Hydraulically actuated, single and tandem circuit braking and industrial systems where high quality, precise modulation is required

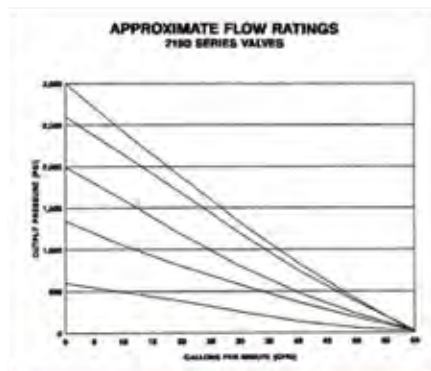
Options

- Treadle actuator with adjustable pedal angle
- Circuit staging to provide non-linear output pressure
- Unequal output pressure on "B1" and "B2" (2102 series)
- Adjustable stoplight switch
- Available with or without pedal/actuator, or lever actuator with friction detent option (2101 series)
- Firewall mounted, suspended pedal
- Dual pilots for separate circuit control
- Externally adjustable differential pressure warning switch
- SAE or metric ports

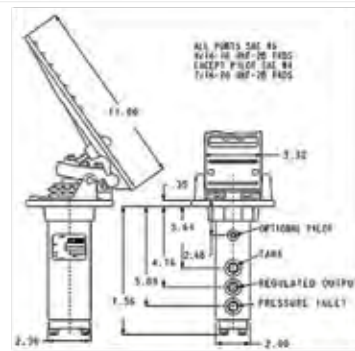
Specifications

- Body Material: High strength aluminum
- Seal Material: Nitroxile® compound
- Maximum Input Pressure: 3,500 psi (24,133 kPa)
- Maximum Output Pressure: 600 psi - 3,500 psi (4,137kPa - 24,133 kPa)

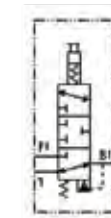
DRAWINGS



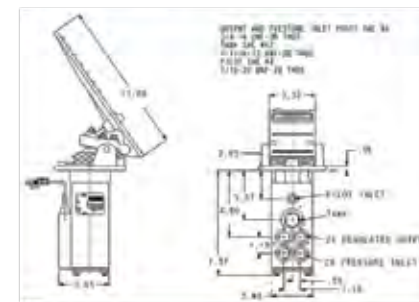
Input / Output Performance Curve



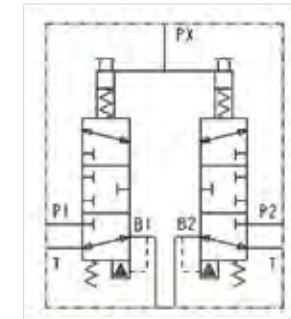
2101 Valve Series



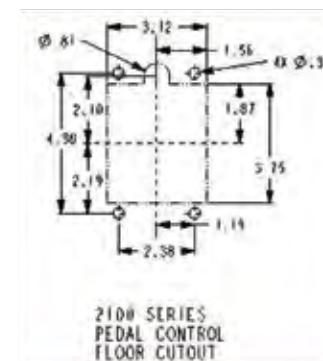
2101 Valve Schematic



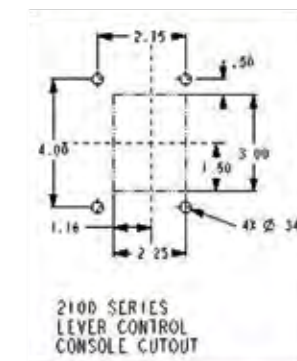
2102 Valve Series



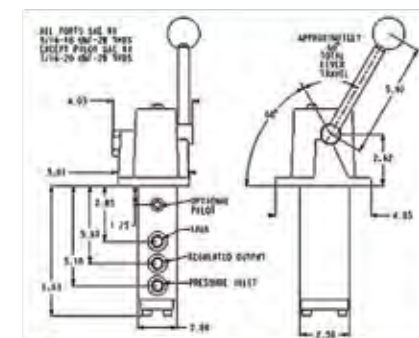
2102 Valve Schematic



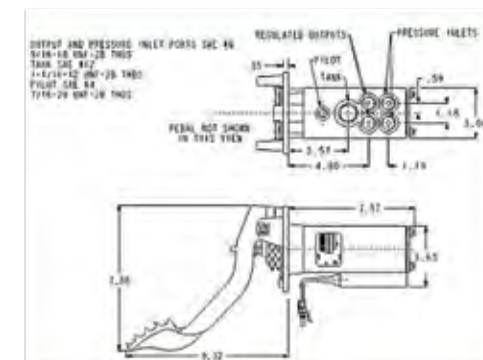
2100 Series Pedal Control Floor Cutout



2100 Series Lever Control Console Cutout



2100 Lever Valve Series



2100 Suspended Pedal Series

DUAL CIRCUIT ADJUSTER

SINGLE CIRCUIT ADJUSTER

Contact Carlisle for information about other available displacements.

Contact Carlisle for information about other available displacements.

DESCRIPTION

The automatic adjusters are used for in-line adjustment of high displacement hydraulic brakes. The adjuster functions to provide running clearance at each brake application. In drum brake applications the adjuster also compensates for clearance reduction due to thermal contraction of the brake.

DESCRIPTION

The automatic adjusters are used for in-line adjustment of high displacement hydraulic brakes. The adjuster functions to provide running clearance at each brake application. In drum brake applications, the adjuster also compensates for clearance reduction due to thermal contraction of the brake.

FEATURES

- Rugged cast iron construction for lasting performance and durability
- Adjuster assembly can be easily retrofit to an existing hydraulic brake system
- Available in both single or dual circuit configurations
- Capacities range from 3.5 to 15.0 cu in
- Piston replacement kits are available

APPLICATION

- Mining Applications intended for wet or dry hydraulic brake systems

FEATURES

- Rugged cast iron construction for lasting performance and durability
- Adjuster assembly can be easily retrofit to an existing hydraulic brake system
- Available in both single or dual circuit configurations
- Capacities range from 3.5 to 15.0 cu in
- Piston replacement kits are available

APPLICATION

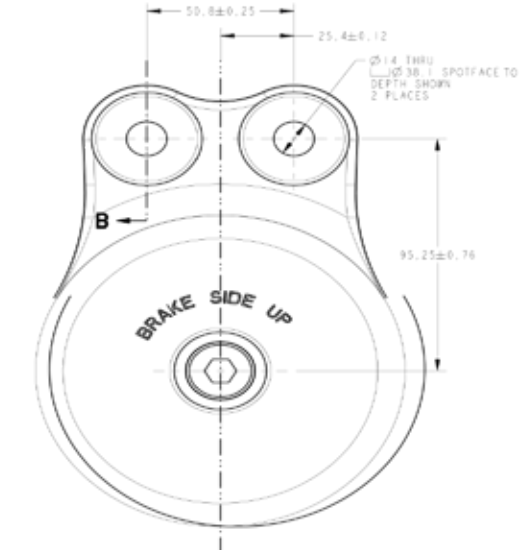
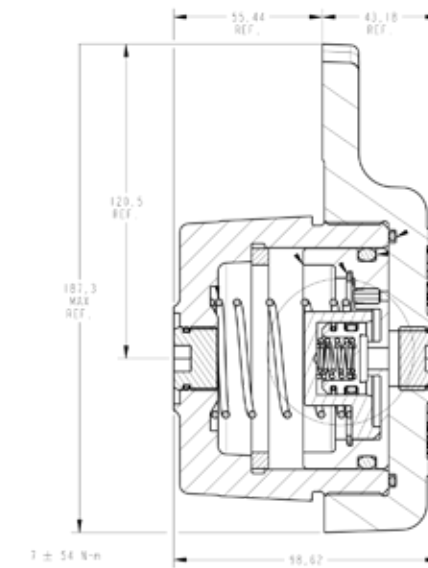
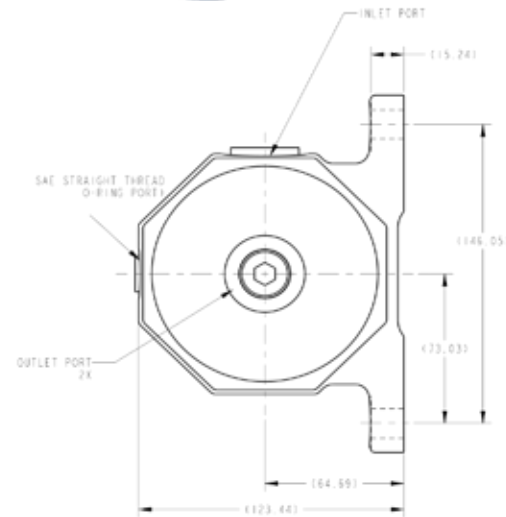
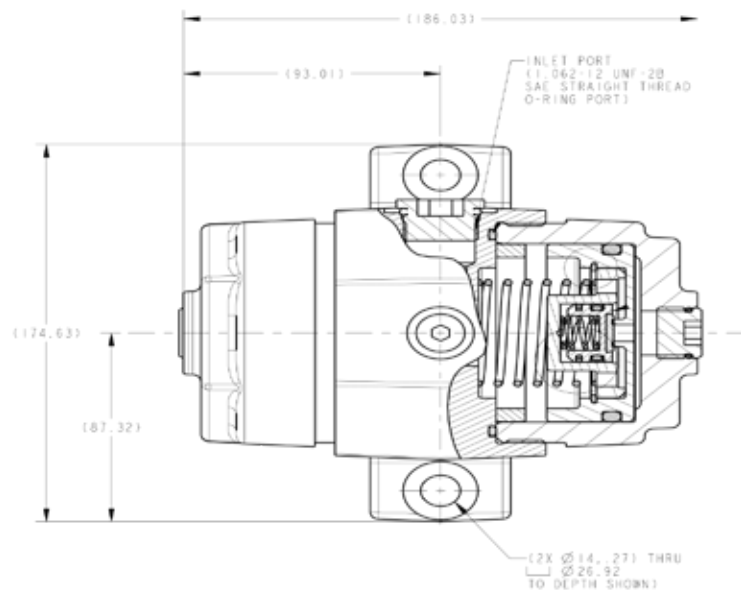
- Mining Applications intended for wet or dry hydraulic brake systems

DUAL CIRCUIT ADJUSTER

SINGLE CIRCUIT ADJUSTER

Dual Circuit Capacity		A	
IN ³	CM ³	IN	CM
3.5-3.5	57-57	6.8	173
6.0-6.0	98-98	7.3	185
10.0-10.0	164-164	8.2	208
12.0-12.0	197-197	8.3	211
15.7-15.7	257-257	9.7	246

Single Circuit Capacity		A	
IN ³	CM ³	IN	CM
3.5	57	3.7	94
6.0	98	3.7	94
10.0	164	3.7	94
16.0	262	5.2	132
19.0	311	12.4	315





VISIT: www.CarlisleCBF.com

For more information contact:

Carlisle Brake & Friction (Headquarters)
6180 Cochran Road, Solon, OH 44139 USA
email info@carlislecbf.com

U.S.A. +1 440 528 4000/4099 fax
Asia: +86-21-61005222
Europe: +44 (0) 1495 767300

AFTERMARKET CATALOG